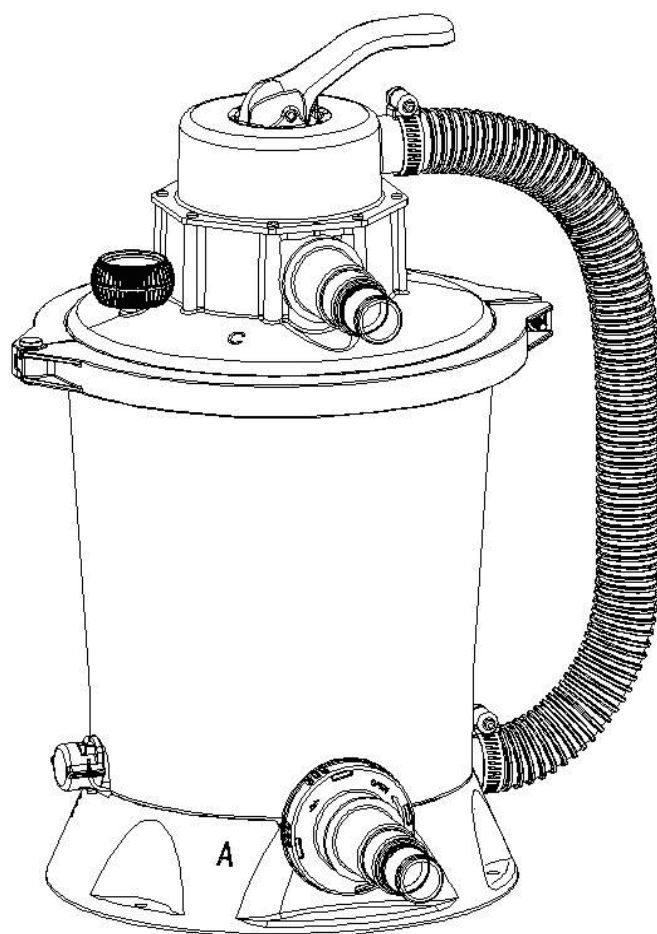
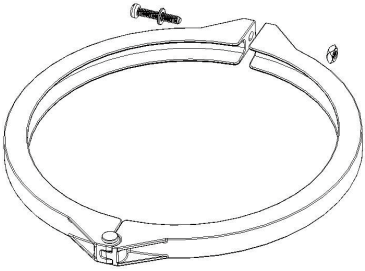
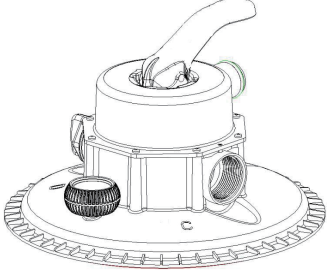
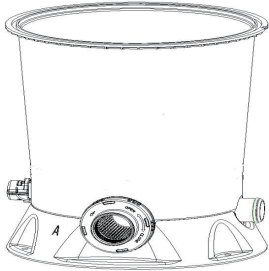
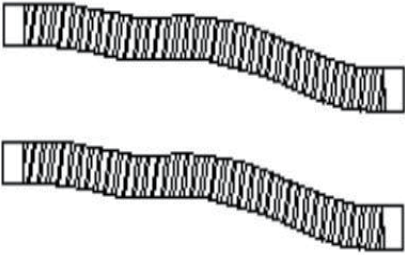
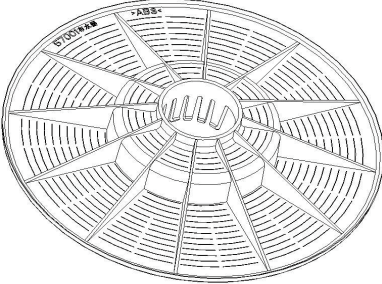
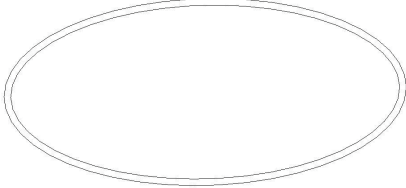


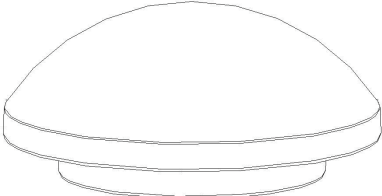


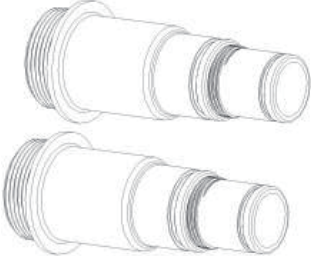
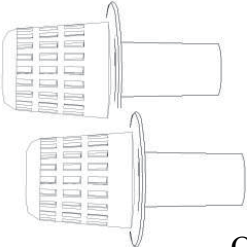


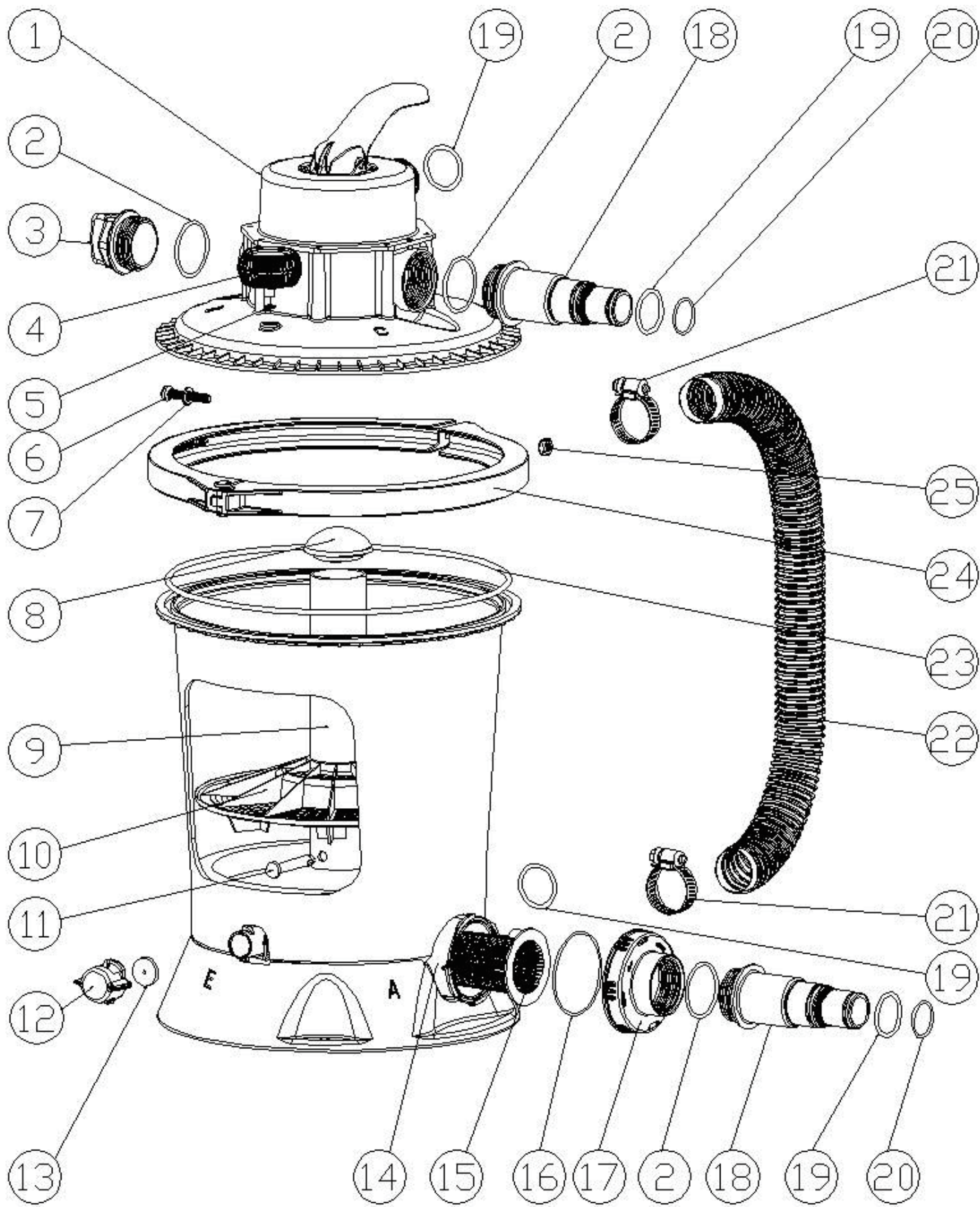
Усрф һыгыт о срвсн

32532;



List of parts in the package box

		
		
		
		
 <p>Optical</p>		



Hi 023

Required tools and equipment

Tools required: 1 slotted screwdriver

Product installation location and assembling:

- The product must be installed on a firm and level surface.
- Must provide an adequate access, space and light for easy routine maintenance.
- The motor must be vented and cooled. Do not place the product in damp and poorly ventilated area.

It is recommended that there are at least two persons for the product installation.

Installation notes:

1. Place the product in your chosen place.

Important notes: Particularly in some EC countries, the product is required to place on the ground or on a permanent upward base! To confirm whether there are related regulations about the ground pool filter in the area, must consult the local authorities. If specified, the filter should be fixed on the base platform via three drilled holes. (shown in Fig. 02)

The sand filter can be mounted on concrete base or wooden platform, to prevent its accidental upset.

Note: On the base, the hole diameter should be 8mm.

Note: The maximum diameter of two screws and lock nuts should be 8mm.

2. The water circulation installation shall comply with the European as well as national/local regulations, especially when dealing with electrical issues;

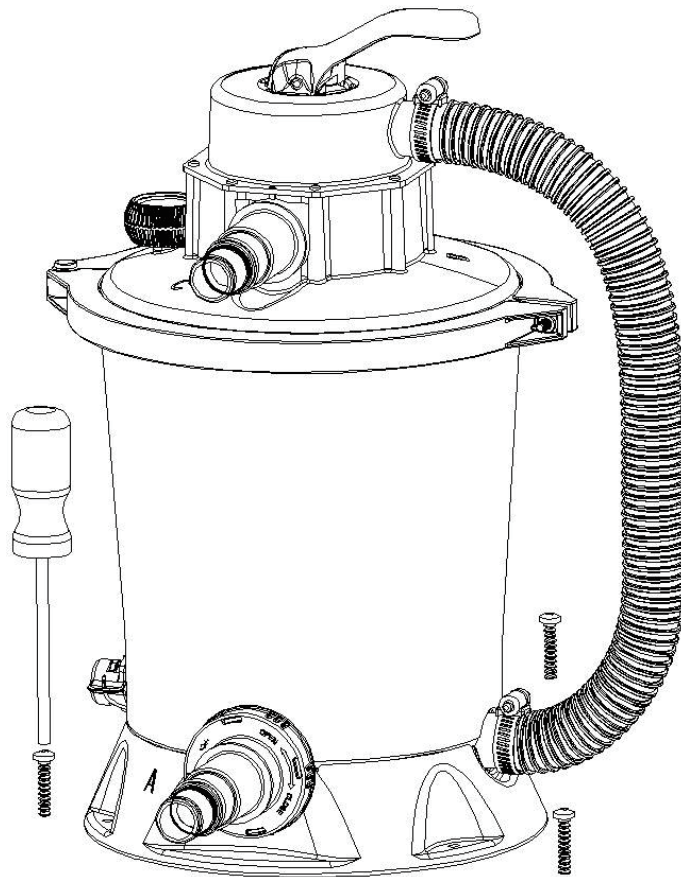


Fig. 02

Sand loading:

Note: Use No. 20 silica sand or glass sand, with the particle size of 0.45-0.85 mm. (i.e. 0.018-0.033 inches), and the overall particle uniformity coefficient of which is smaller than 1.75.

Step I

Before filling the sand, connect the central connecting tube (9) and the water distributor (10) as shown in Fig. 03, align the connecting pin on A position with the big gap on water distributor B position, and press the water distributor into place in the arrow direction (as shown in Fig. 04, if the water distributor hook is connected to the endface of the center connecting tube, it is assembled in place), and then place the assembled water distributor components into the body, as shown in Fig. 05.

Fig. 03

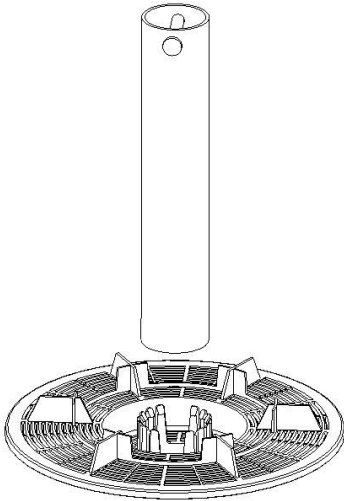


Fig. 04

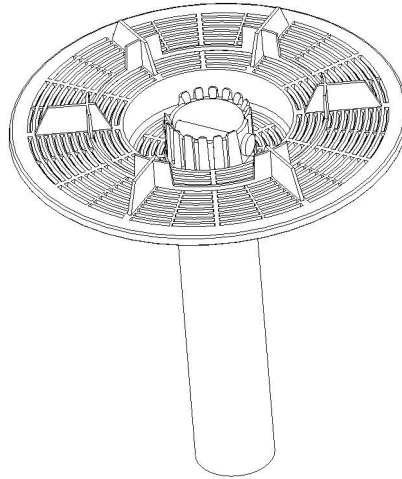


Fig. 05

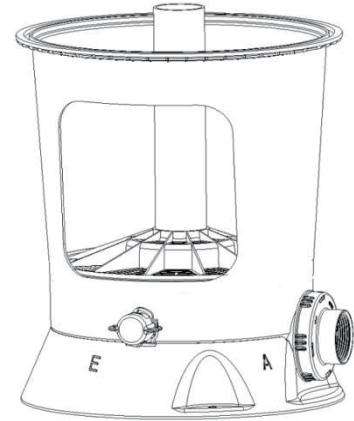


Fig. 06

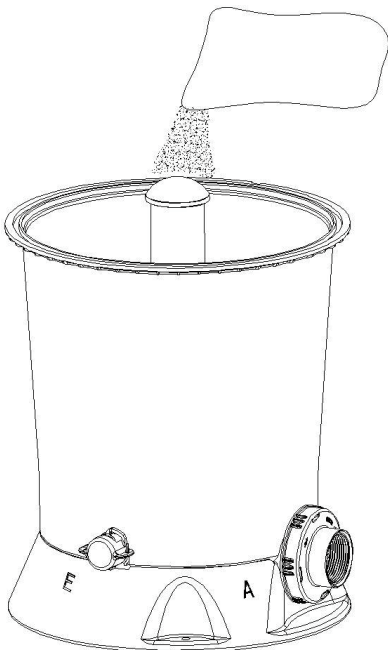


Fig. 07

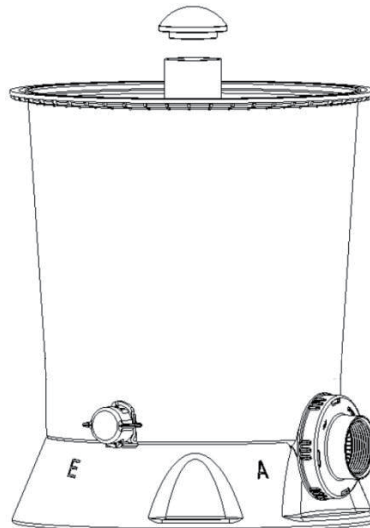
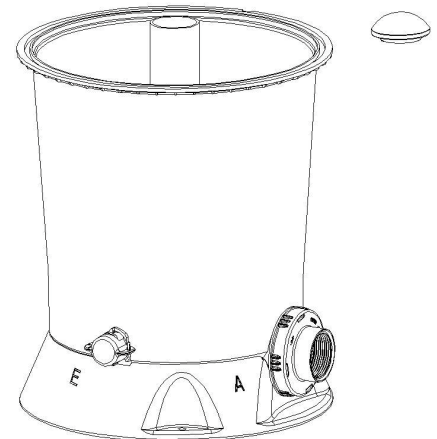


Fig. 08



Step II

Install the central connecting tube cap (8) onto the end of the center connecting tube in the arrow direction (Fig. 06).

Step III

Fill 10kg sand into the body at a slow rate, and manually level the sand. Note that the sand can not be filled into the seal groove at the body opening (Fig. 07).

Step VI

Remove the center connecting tube cap (8) (Fig. 08).

Control valve unit installation:

Fig. 09



Fig. 10

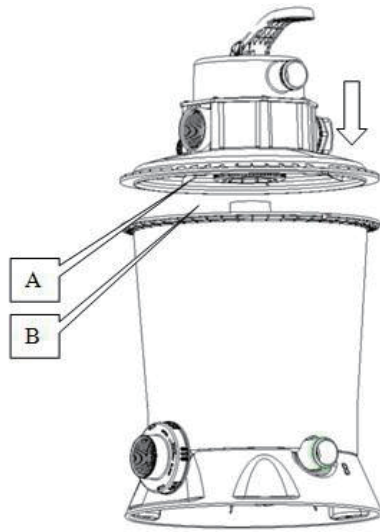
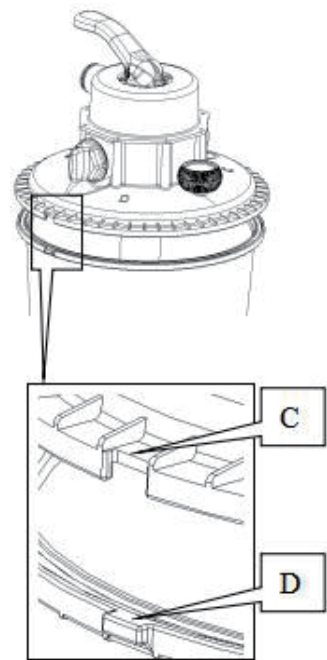


Fig. 11



Step I

Thoroughly clean the sand and impurities in the groove, and place slowly the upper cover seal (24) into the groove.

Step II

As shown in Figs 10 and 11, align the center hole (A) of the control valve unit sand shield cover with the outer circle (B) of the center connecting tube, Cover the gap of the control valve group (C) on the ontology of convex point (D) after pressed down in place.

Fig. 12

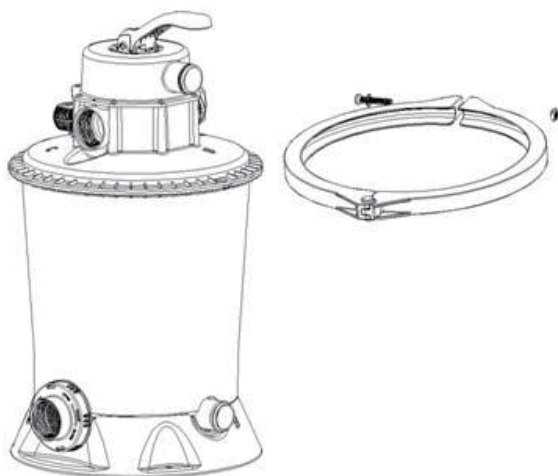
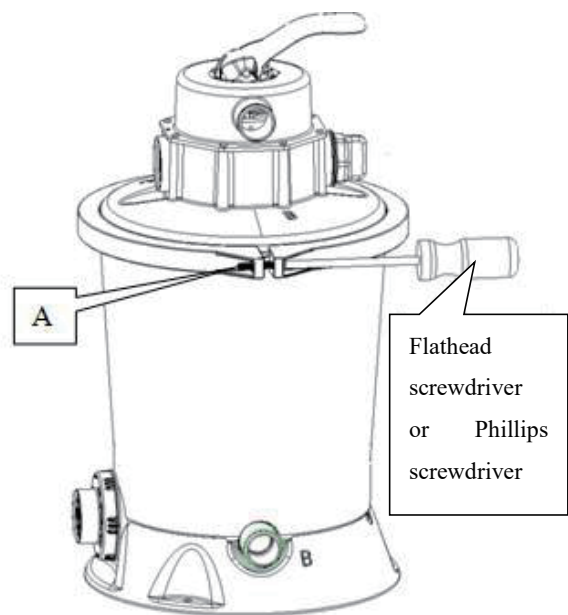


Fig. 013



Step III

As shown in Figs 12 and 13, remove M8 adjustment bolt, washer and M8 quadrilateral nut (6, 7, 25) from the hoop, install the hoop around the flange between the body and the control valve unit, install M8 adjustment bolt and washer into the M8 quadrilateral nut hole of the hoop, clockwise tighten them with a slotted or Phillips screwdriver (not provided with the product); when beginning to tighten it, manually press M8 quadrilateral nut in A position, to prevent it from ejection out.

Fig. 14

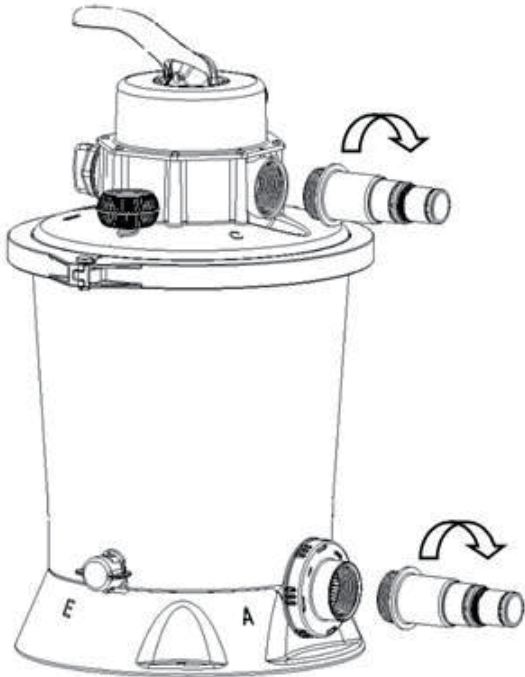


Fig. 15



Step VI

As shown in Fig. 14, clockwise tighten 3238 straight connector (18) and the result is shown in Fig. 15.

Fig. 16

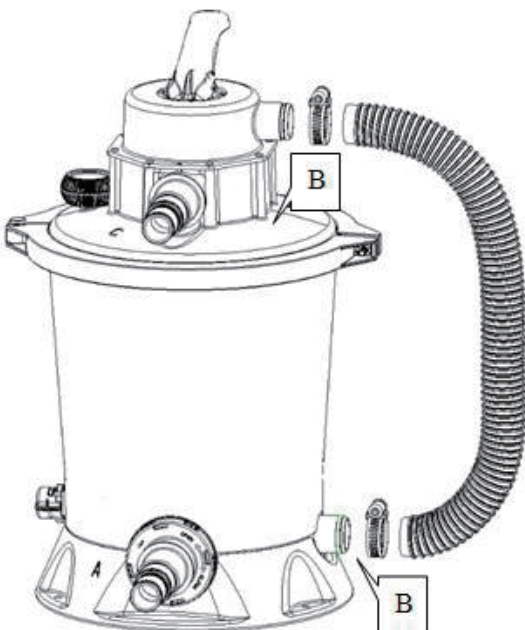
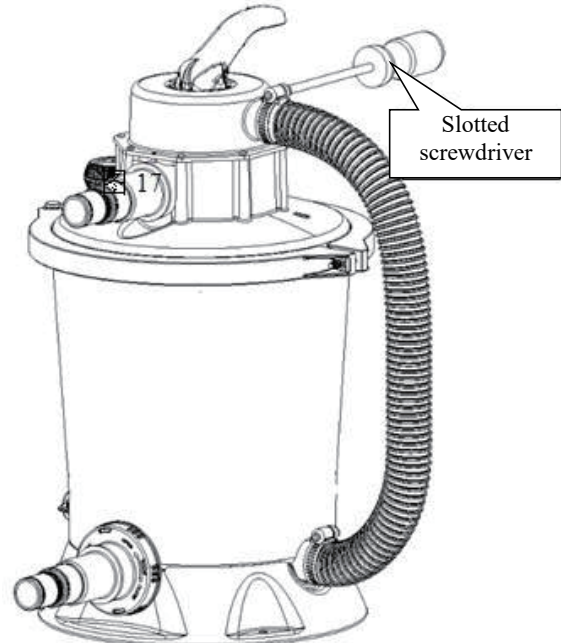


Fig. 17



Step V

As shown in Figs 16 and 17, connect $\Phi 38$ bellows (23) between the control valve B port and the motor B port, and tighten 32-50 hoop (21) with a flathead screwdriver.

Sand filter pump and water pool installation:

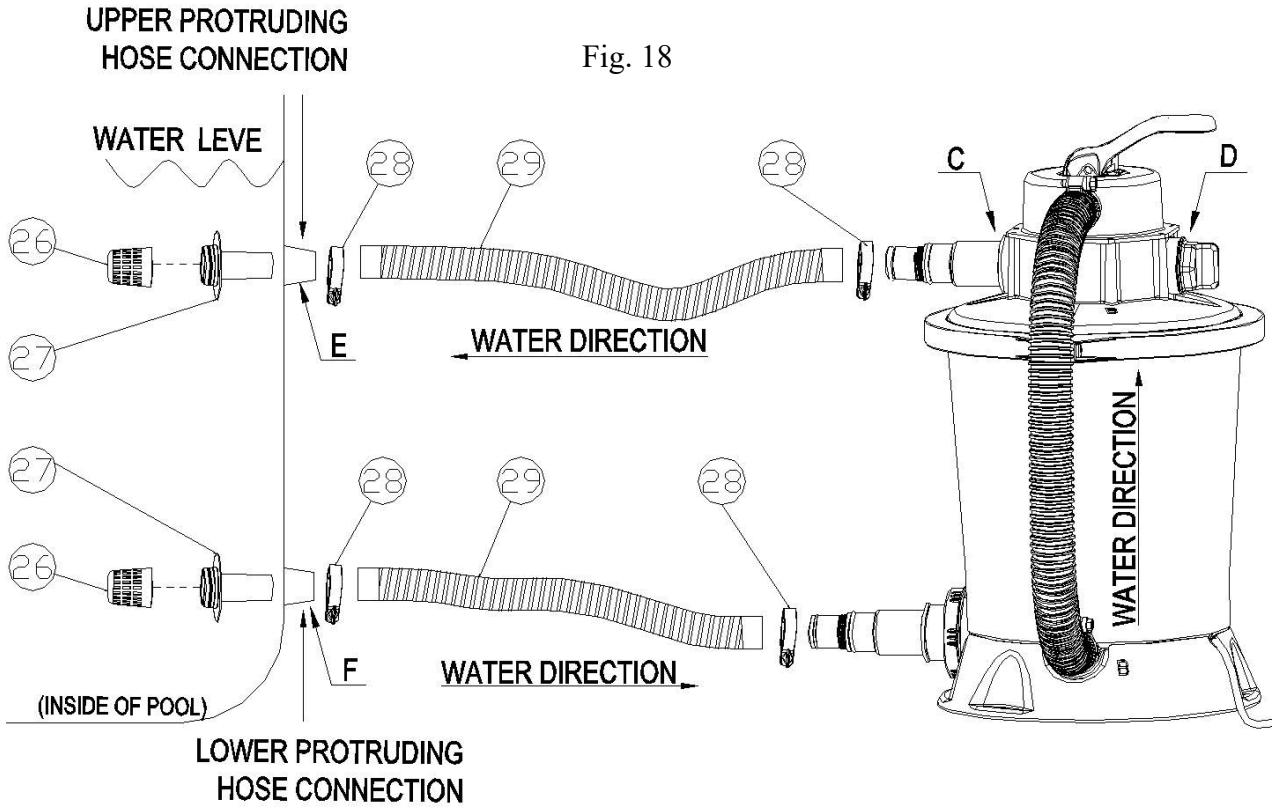


Fig. 18

Installation steps: As shown in Fig 12, connect $\Phi 32$ bellows to the water pool and the sand filter pump, tighten clockwise 25-42 hose clamps (28) with a flathead screwdriver; and then power on the sand filter pump to filter the water in the pool. (Be sure to follow the instructions to connect the pump and pool, Any change of valve position, pump size, grille size can cause a change of the flow and the suction velocity can be increased)

Control valve position and functions

Control valve position	Functions	Water flow direction
FILTER	Water tank with normal filtering	The water flows into the water tank via the sand filter layer.
BACKWASH	Backwash the filter layer	After the water is filtered via the sand filter, the sewage is drained directly from the sewage drainage outlet.
RINSE	In the first start, it is used to clean the sand in the sand cylinder and level the backwashed sand	The water flows through the sand filter layer and is drained directly from the sewage drainage outlet

WASTE	It is drained directly from the sewage discharge outlet, to reduce the water level or drain the water in the tank	It is drained directly from the sewage discharge outlet, without flowing through the filter layer
RECIRCULATE	It is the water in water circulation tank, without flowing through the filter layer	The water flows directly into the water tank via the water control valve, without flowing through the filter layer
CLOSED	Close all water flows through the filter into the water tank	

Control valve operations

WARNING: There is risk of electric shock. This product is only connected to the outlet with grounding protection. If it can not be confirmed, please contact an experienced electrician for installation, this outlet has a maximum leakage current of up to 30mA.; please do not use the movable outlet.

WARNING: To reduce the risk of electric shock, do not connect any extension wire, timer, plug adapter or converter to the filter body. Please provide a fixed outlet.

WARNING: If you stand in a place with water or your hands are wet, do not unplug the power wire plug.

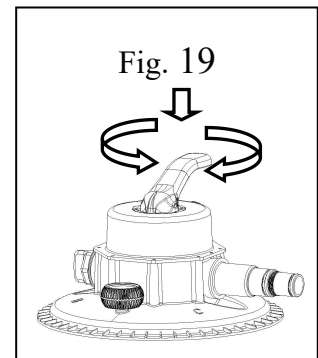
WARNING: When the reading displayed on the pressure gauge of the body exceeds a predetermined maximum data, do not start this product.

WARNING: Before operation, always ensure that all bellows are connected and locked and the filter is filled with the exact volume of sand.

WARNING: Before operation, always ensure that the product is connected to the outlet with grounding protection.

WARNING: There is a closing position on the control valve. Do not start the product when the control valve is in the closing position.

1. When rotating the control valves, press down the control valve handle first, and then turn the control valve handle to the desired position (Fig. 13).



Operation steps

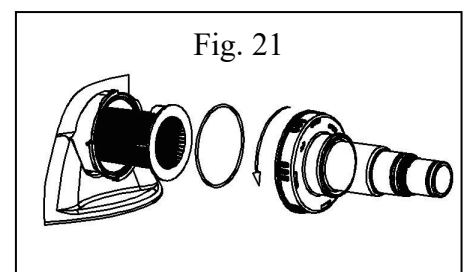
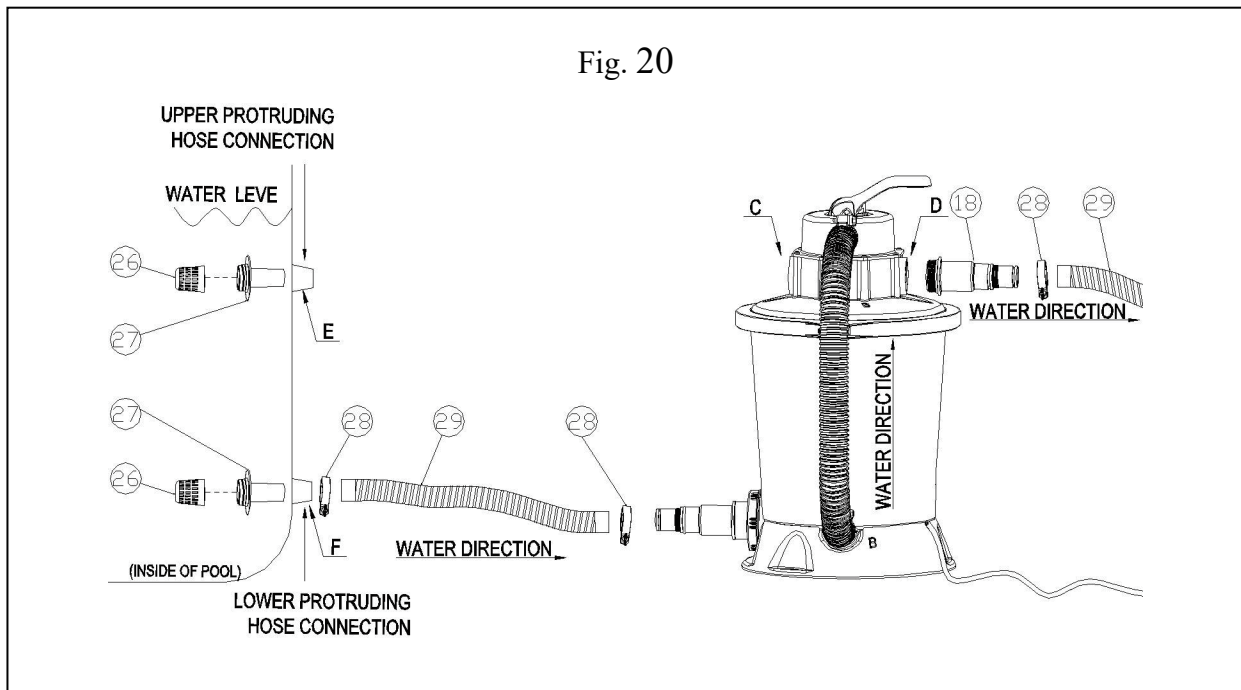
1. Ensure that the product is powered off.
2. Turn off the plug (3) on D position, and connect 3238 straight connector (18) and bellows (30) on C position to D position.
3. Press down the control valve handle and turn it to the discharge position, and power on the product for sewage drainage (Fig. 20). After the sewage drainage is completed, please power off the product.
4. Turn the control valve handle to the backwash position and turn on the power supply, until the clean water is drained. (Fig. 20)
5. Disconnect the power supply. Remove 3238 straight connector (18) and the bellows (29), connect

them together in C position, connect the other end of the tube to the water pool E position, and lock it with the hose clamp. (See Fig. 18)

6. Install the plug (3) on D position. (See Fig. 18)

7. Turn on the power supply and select the desired position for operation.

Note: Do not set the control valve between the two functions, otherwise it will cause leakage.



Motor filter screen cleaning and maintenance

1. Ensure that the power wire is unplugged from the outlet.

2. Please plug the outlet of the water tank.

3. As shown in Fig. 21, counterclockwise unscrew the filter cartridge buckle (17) and remove the filter screen (15) and the filter cartridge buckle seal (16).

4. Use a water hose to wash and clean the filter screen (15) and the filter cartridge buckle seal (16); if necessary, use a plastic brush to scrub the impurities on the filter screen (15). Do not use a metal brush.

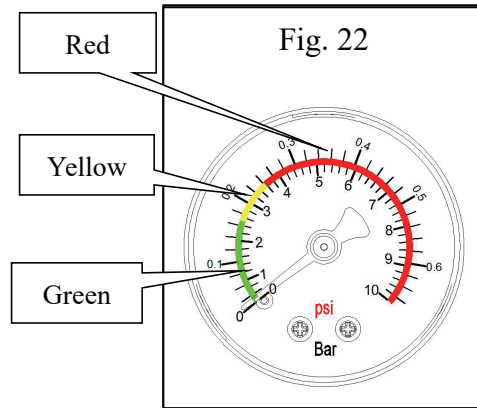
5. Reinstall the filter screen (15), the filter cartridge buckle seal (16) and the filter cartridge buckle (17) sequentially (Fig. 01).

NOTE: Must empty and regularly clean the filter. A dirty or blocked filter will reduce the performance of sand filter pump.

Sand filter pump operations

1. After the preparations are completed, the sand filter pump can be used. Set the filtering performance of the control valve.
2. Insert the plug into the appropriate outlet to operate the sand filter pump.

Note: During the sand filter pump operation, check the pressure gauge (4); that the pointer is within the green range indicates a normal operation.



Sand filter pump maintenance

Notes:

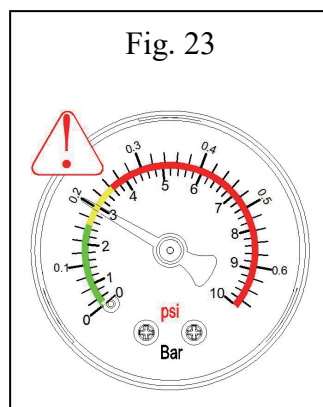
Before maintenance, must unplug the power supply for the sand filter pump; otherwise it may cause risk of serious personal injury or death.

Notes:

When the pressure gauge pointer is within yellow range, must clean the sand bed or replace the sand. You can use “Backwash” and “Cleaning” functions.

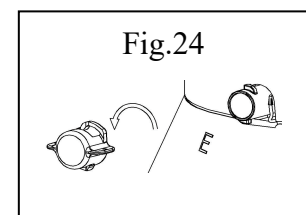
Notes:

It is recommended for regular cleaning once a month or according to the use period.



Long-term storage and winter storage

Under the condition that the water tank is iced, the use of this product will cause its damage and its quality assurance will be invalid. If this product is used in case of use of antifreeze, the propylene glycol may be used. The propylene glycol is a non-toxic chemical that does not damage any plastic part on this product; but other antifreeze may have highly toxic and may damage any plastic part on this product.



1. Before the water tank is drained or leveled, must ensure that the drainage direction towards the drainage ditch and is away from the building. For special requirements about water treatment, please see the local regulatory requirements.

2. Turn off the product switch and unplug the power plug.

3. After the water is drained fully, remove all filter covers connected to the sand filter pump, the bellows and the pool wall.

4. As shown in Fig. 26, counterclockwise unscrew the drain tube cap (12) to thoroughly drain the water in the body.

5. Dry the sand filter parts and bellows in the air.

6. The best storage way is to store all accessories and motor into their original package container. To avoid shrinkage or corrosion problems, do not use any plastic bag to cover or wrap the motor.

7. Please store the motor and accessories on a dry location at the temperature of 32 ° F (0 ° C) ~ 104 ° F (40 ° C)

Fault detection and troubleshooting		
Fault	Detection	Solution
The motor can not be started normally	<ul style="list-style-type: none"> The power supply is not plugged properly The leakage protection is disconnected The motor is overheated or overloaded, resulting in its shutdown 	<ul style="list-style-type: none"> Ensure the power cord is plugged in 3-wire metal outlet with grounding protection Reset the circuit breaker switch. If the problem continues, there may be a power supply problem, it should be turned off and contact a power supply expert for processing Cool down the motor in the air and restart it
Filter The water tank can not be cleaned	<ul style="list-style-type: none"> There is no sand in the body The control valve position is incorrect There is excessive dirt in the water The filter element is blocked 	<ul style="list-style-type: none"> For sand filling, see the sand filling instructions The control valve is turned to FILTER position The running time is extended Clean the filter element
The filter can not be drained or drained slowly	<ul style="list-style-type: none"> There are obstacles at the entrance There is air leakage at the entrance There is excessive dirt in the water The filter medium is clogged with impurities The tank is attached with the cleaning device 	<ul style="list-style-type: none"> Check and clean the obstacles in inlet and outlet tubes Tighten the tube port nut and check the damaged point and water level Clean the strainer Backwash Remove the cleaning device attached to the tank
The filter can not be operated	<ul style="list-style-type: none"> The water level is too low The strainer is clogged The inlet tube is leaked The motor is blocked or the impeller is blocked 	<ul style="list-style-type: none"> Add the water to adjust the water level Clean the strainer in the tank Tighten the tube port and check the damaged point Please contact Customer Service Center for replacement

The control valve or its upper cover is leaked	The body seal is lost The body seal is too dirty The control valve buckle is not fastened The control valve is damaged	Remove the upper control valve cover and install the body seal Use a water hose to clean the body seal Use a screwdriver to tighten the bolt Please contact Customer Service Center for replacement
The bellows is leaked	The bellows hoop is not tightened The water port seal is lost	Tighten the hoop The water port seal is no damaged in place
The pressure gauge does not action	The inner wall of the pressure gauge is blocked Pressure gauge damage	Remove the pressure gauge from the control valve and clean the impurities on the inner wall Please contact Customer Service Center for replacement
The sand enters into the tank	The sand particles are too fine	Use only No. 20 silica sand, with the sand particle size of 0.45-0.85 mm, (i.e. 0.018-0.033 inches), and the overall particle uniformity coefficient of which is smaller than 1.75. Or replace the sand

(In case of doubt on the pump or any circulation devices, please contact After Sales Service directly, contact details in the following affix.
the address or telephone number where the consumer/installer can obtain additional information during the installation in the event of problems.)

Product specifications		
Model	103109	BC002A
Voltage	220-240V	
Power	60W	90W
Maximum operating pressure	<0.2bar (3psi)	<0.3(4.5psi)
Effective filtrating area	0.058m ² (0.62ft ²)	0.058m ² (0.62ft ²)
Maximum water flow rate	800 gallons/hr (3028 l / h)	1000 gallons/hr (3785 l / h)
Maximum water temperature	35°C	
Recommended filter media	20# quartz sand or glass sand, with particle size of 0.45-0.85 mm, (i.e. 0.018-0.033 inches), and the overall particle uniformity coefficient of which is smaller than 1.75.	
Recommended number of media	Quartz sand or glass sand, 10 kg	
Please read carefully and save it for future reference		

Responsable de la commercialisation du produit / Company in charge of commercializing the product / Responsable de la comercialización del producto / Responsabile della commercializzazione del prodotto:

GECODIS SA
32, rue de paradis
75010, Paris, France

Service commercial/ Commercial service/ Servicio comercial / Servizio commerciale :

Habitatetjardin.com
32, rue de paradis
75010, Paris, France
Assistance : +33 (0) 1 47 70 33 64

Service après-vente/ After sale services/ Servicio post-venta / Servizio dopo vendita:

GECODIS SA
32, rue de paradis
75010, Paris, France
<http://sav.habitatetjardin.com>



Only for children's product:

**Attention ! Ne convient pas aux enfants de moins 3 ans.
Petites parties – Danger d'étouffement.
Présence de cordes – Danger de strangulation.**



**Warning! Not suitable for kids under 3 years hold.
Tiny pieces – Danger of suffocation.
Presence of rope – Danger of strangulation.**



**¡Advertencia! No es adecuado para niños menores de 3 años.
Piezas pequeñas – Peligro de asfixia.
Contiene cuerdas – Peligro de estrangulación.**



**Attenzione! Non è adatto per i bambini che hanno meno di 3 anni.
Piccole parti – Pericolo di soffocamento.
Presenza di corde – Pericolo di strangolamento.**

