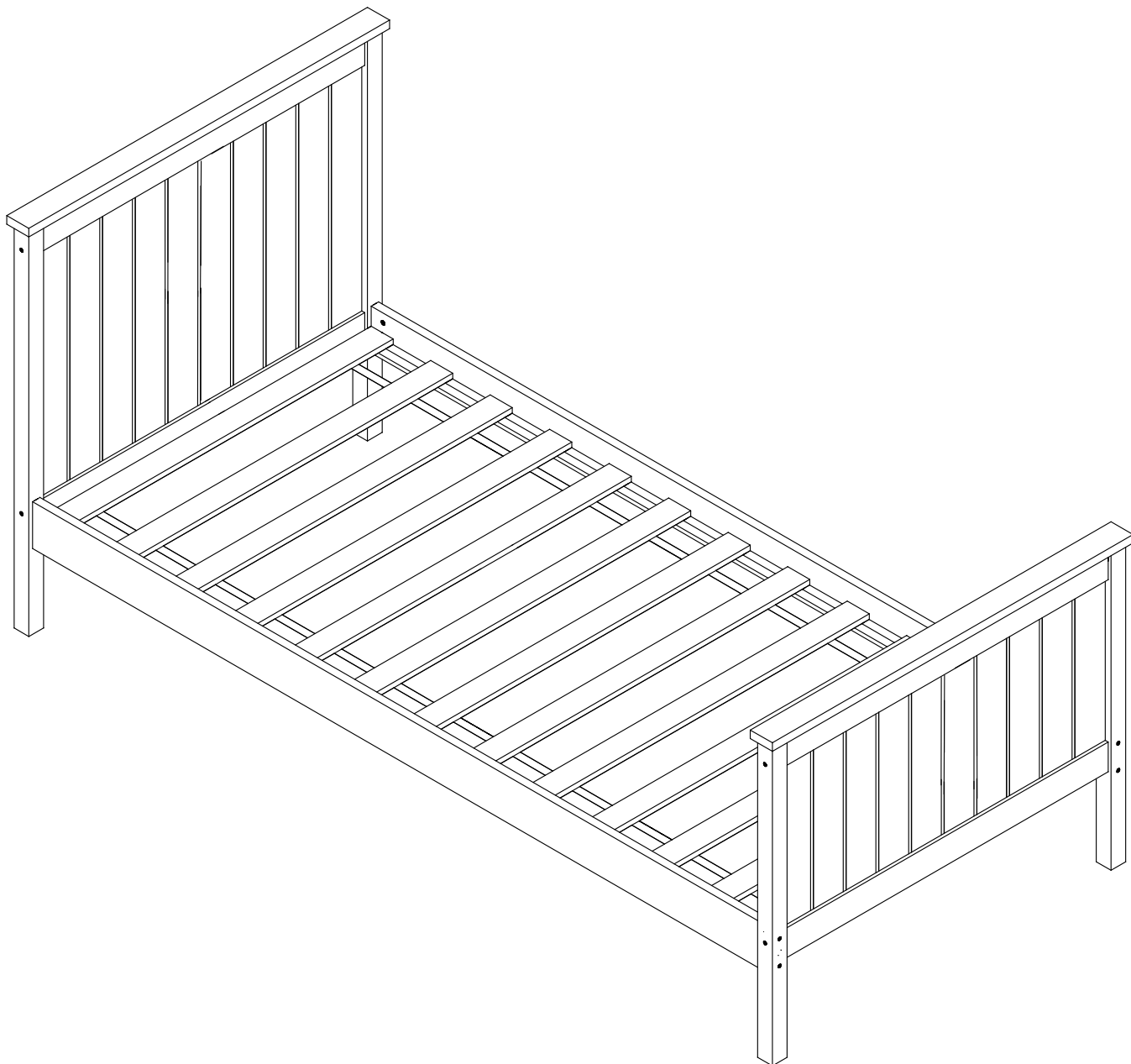

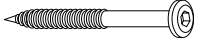
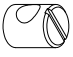



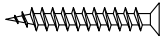



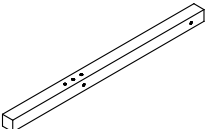
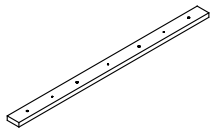
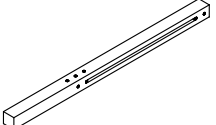
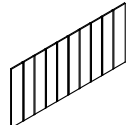
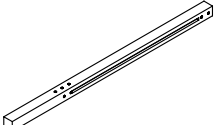
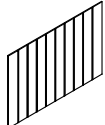
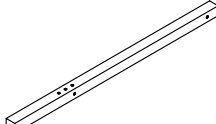
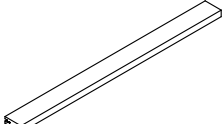
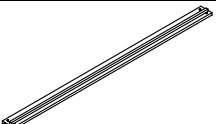
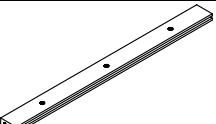
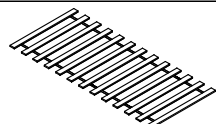
Alice

1548_135099



1548_135099

| | | | | | | | | | |
|---|---|---------|-------|--|---|---|---------|------|--|
| A |  | M6*90MM | X8PC | | F |  | Φ6*70MM | X8PC | |
| B |  | | X8PC | | G |  | Φ15 | X6PC | |
| C |  | Φ8*30MM | X12PC | | H |  | | X6PC | |
| E |  | Φ4*30MM | X26PC | | K |  | | X6PC | |

| | | | | | | | | | |
|---|---|-------------|------|-----|----|--|-----------|-------|-----|
| 1 |  | 750*40*40 | X1PC | 2/2 | 6 |  | 980*60*20 | X2PC | 2/2 |
| 2 |  | 750*40*40 | X1PC | 2/2 | 7 |  | | X1PC | 1/2 |
| 3 |  | 950*40*40 | X1PC | 2/2 | 8 |  | | X1PC | 1/2 |
| 4 |  | 950*40*40 | X1PC | 2/2 | 9 |  | 880*70*25 | X2PC | 2/2 |
| 5 |  | 1980*110*20 | X2PC | 2/2 | 10 |  | 880*70*25 | X2PC | 2/2 |
| | | | | | 11 |  | | X26PC | 1/2 |

FR : SAV/INFORMATION /VIDEO/CONTACT

EN: AFTER-SALES SERVICE/INFORMATION/VIDEO/CONTACT

DE : REPARATUR-SERVICE UND ERSATZTEILE /INFORMATIONEN /VIDEO/KONTAKT

ES: SERVICIO POST-VENTA/INFORMACION/VIDEO/CONTACTO

IT: SERVIZIO ASSISTENZA/INFORMAZIONI/VIDEO/CONTATTO

PT: SERVIÇO PÓS-VENDA/INFORMAÇÕES/VIDEO/CONTATO

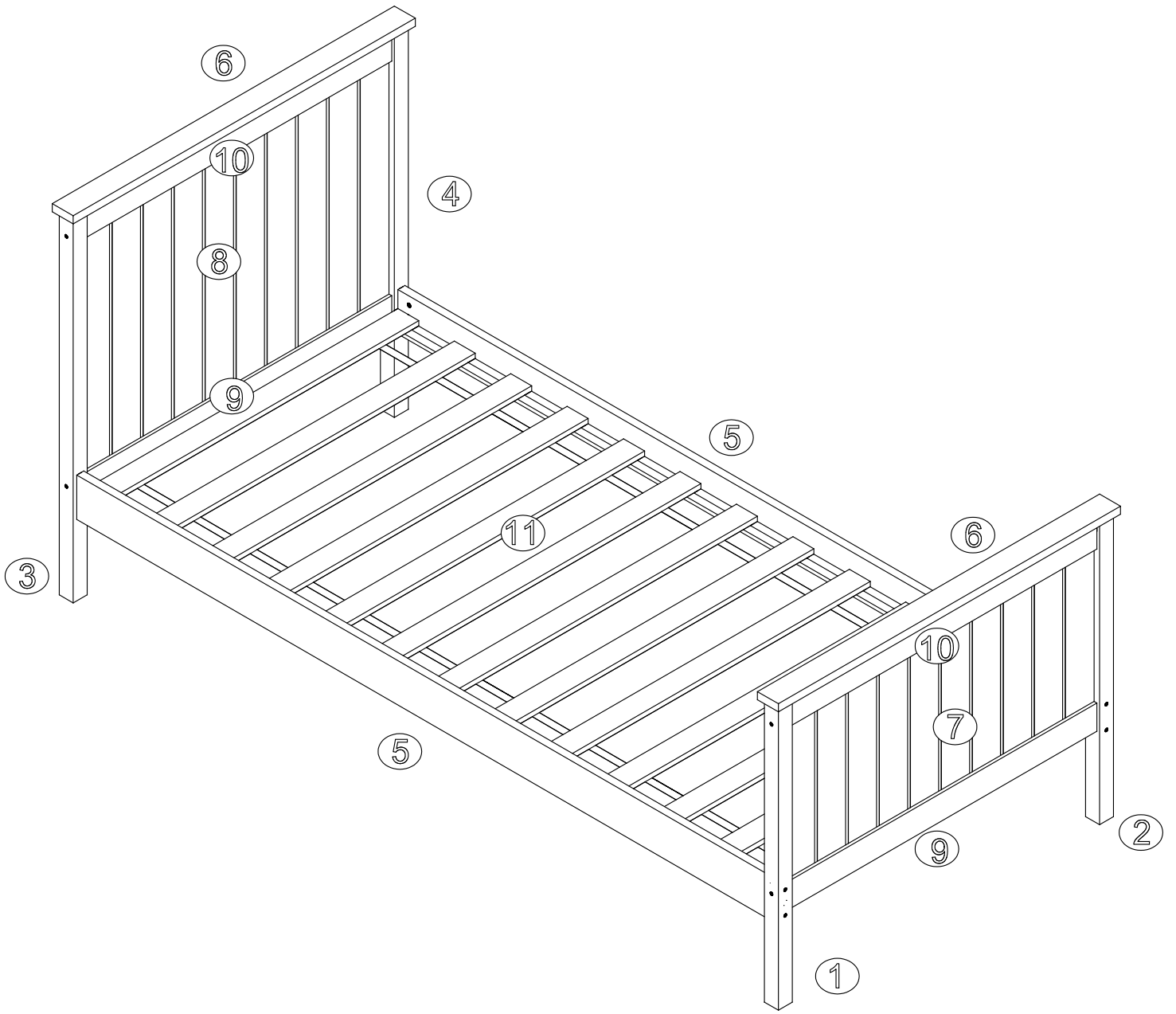
PL: SERWIS TECHNICZNY/INFORMACJE/WIDEO/KONTAKT

NE: AFTER SALES SERVICE/INFORMATIE/VIDEO/CONTACT

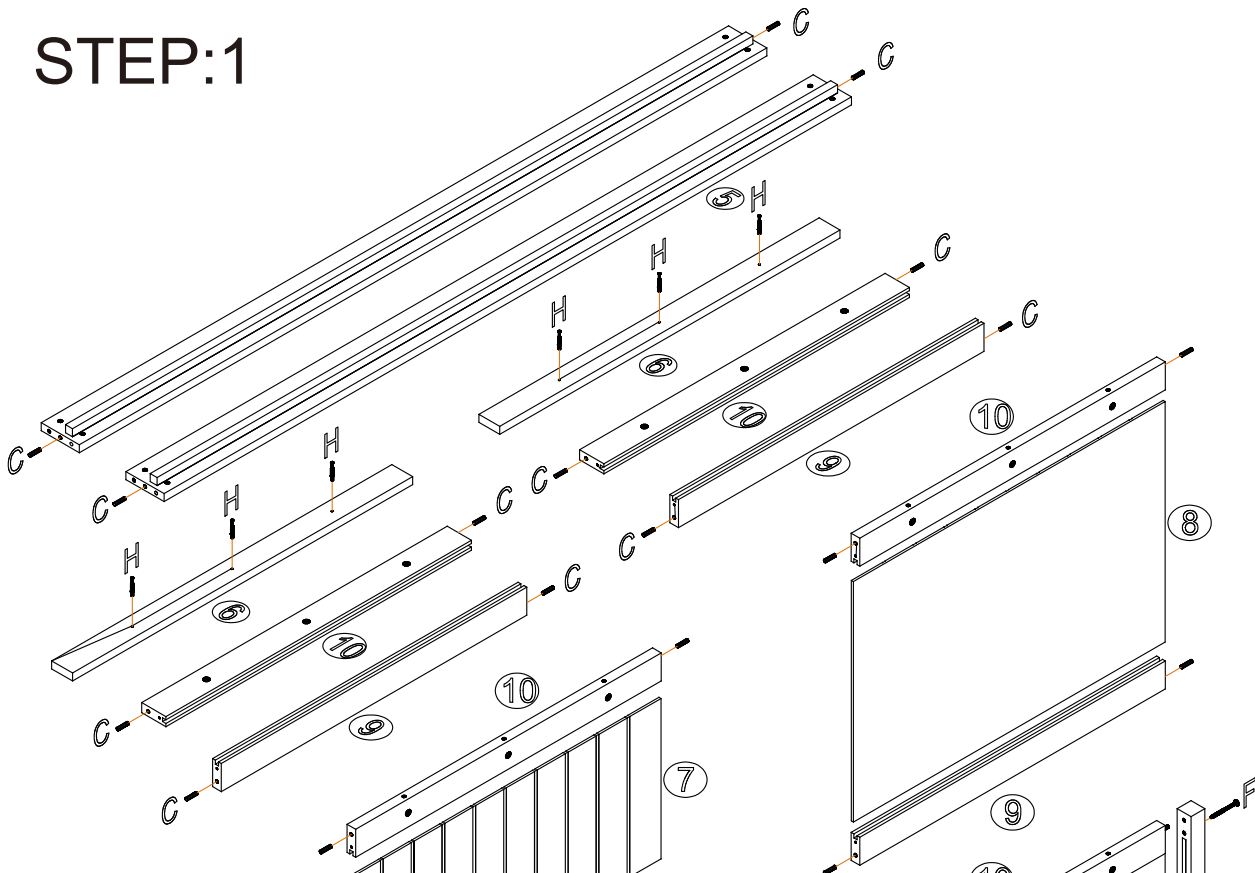
HE: מע רשקתל/ואדיווה/ עדימ/תורכמו תוריש רחאל

SAV.HABITATETJARDIN.COM

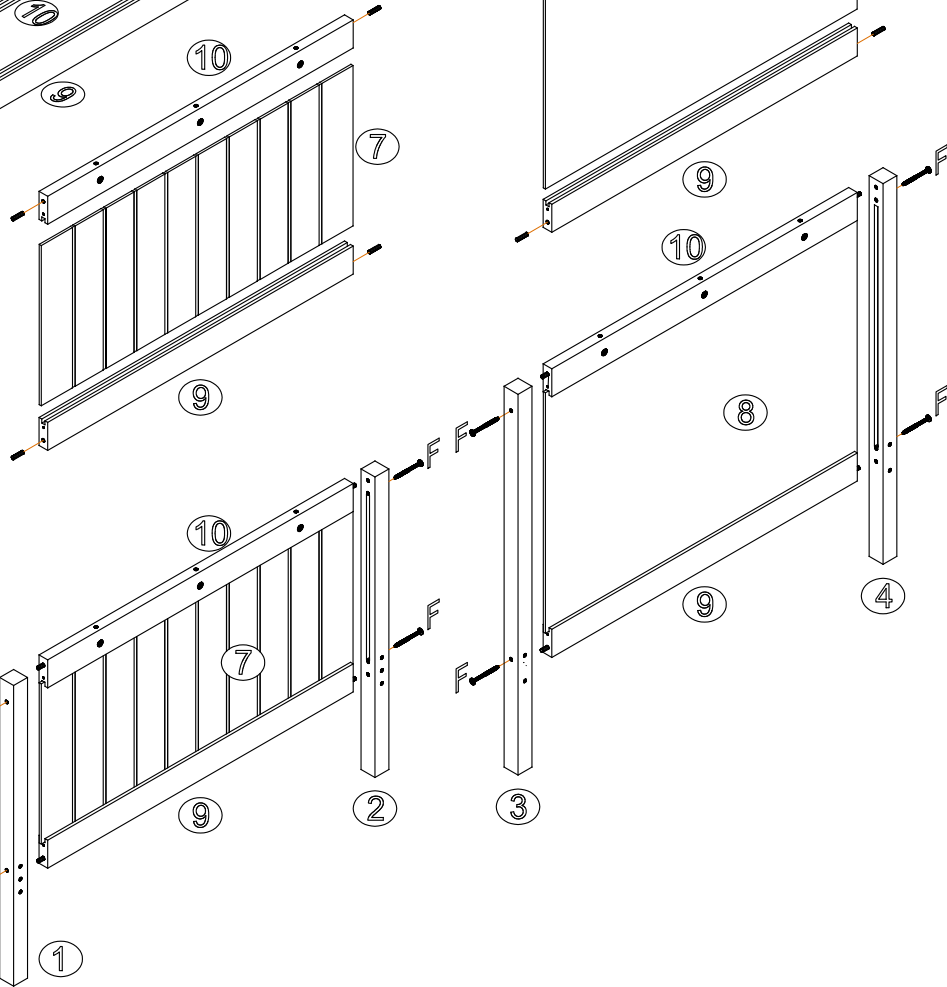
2/6
2022-2023





STEP:1

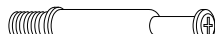


STEP:2

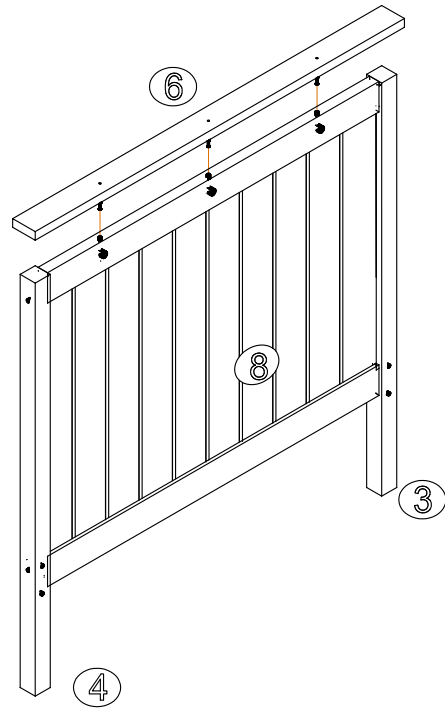
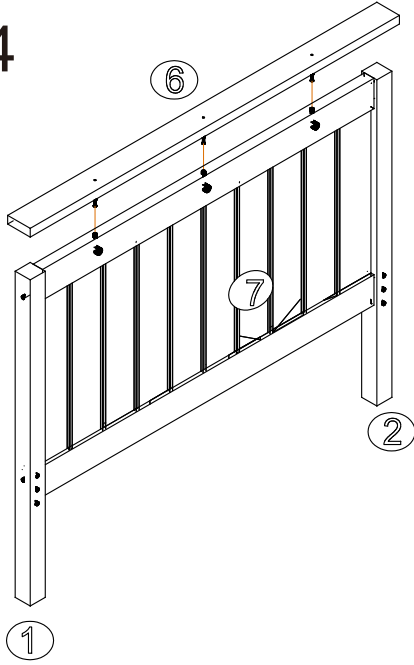


STEP:3

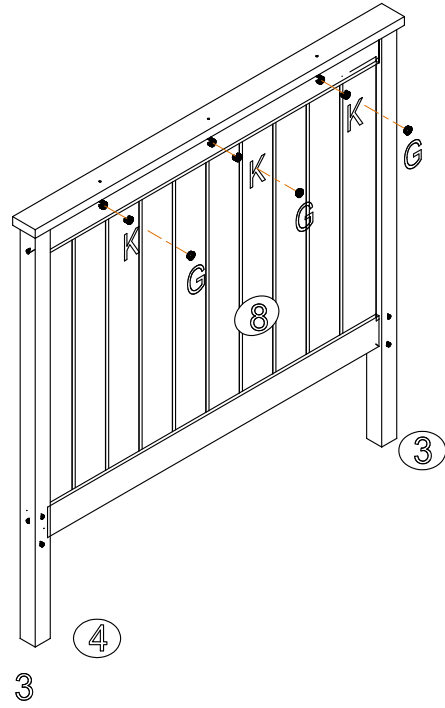
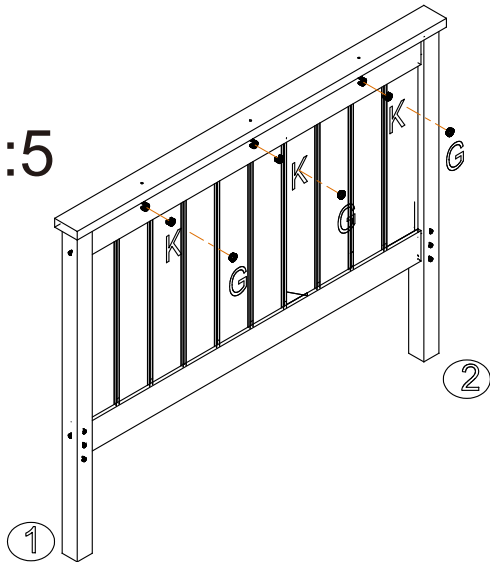
| | | | |
|---|---|-------|----|
| C |  | Φ8*30 | 12 |
| F |  | Φ6*70 | 8 |



| | | | |
|---|---|--|---|
| H |  | | 6 |
|---|---|--|---|

STEP:4

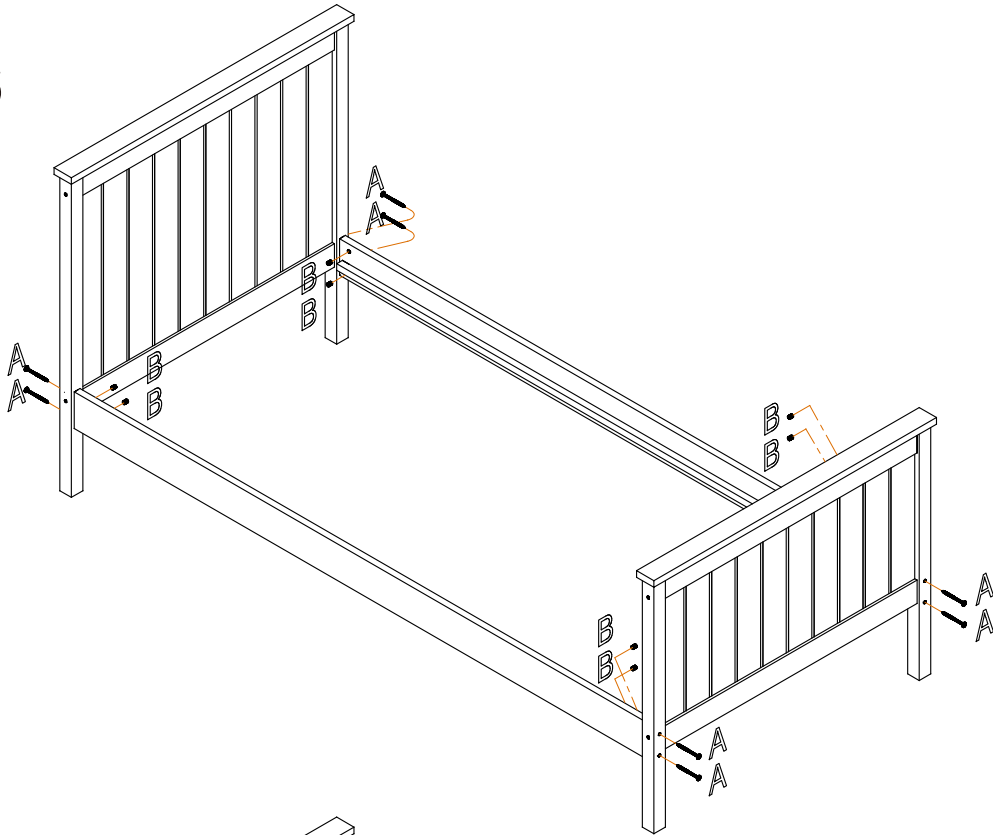


STEP:5

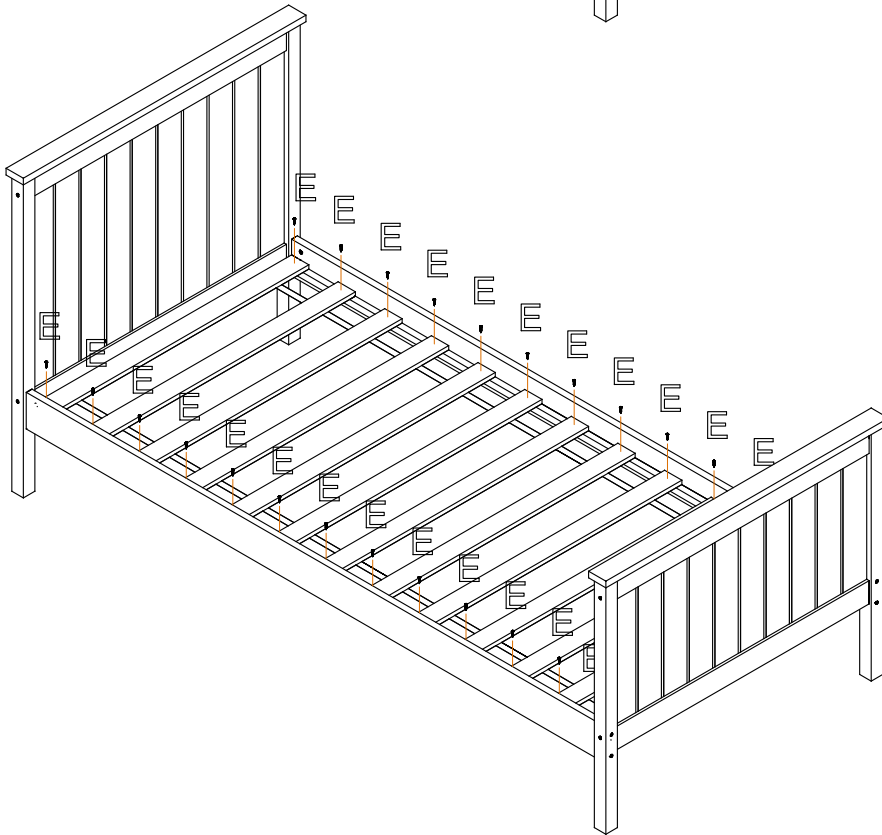


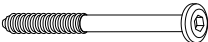

| | | | |
|---|---|-----|---|
| G |  | Φ15 | 6 |
| K |  | | 6 |

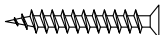
STEP:6



STEP:7



| | | | |
|---|---|-------|---|
| A |  | M6*90 | 8 |
| B |  | | 8 |

| | | | |
|---|---|------|----|
| E |  | 4*30 | 26 |
|---|---|------|----|