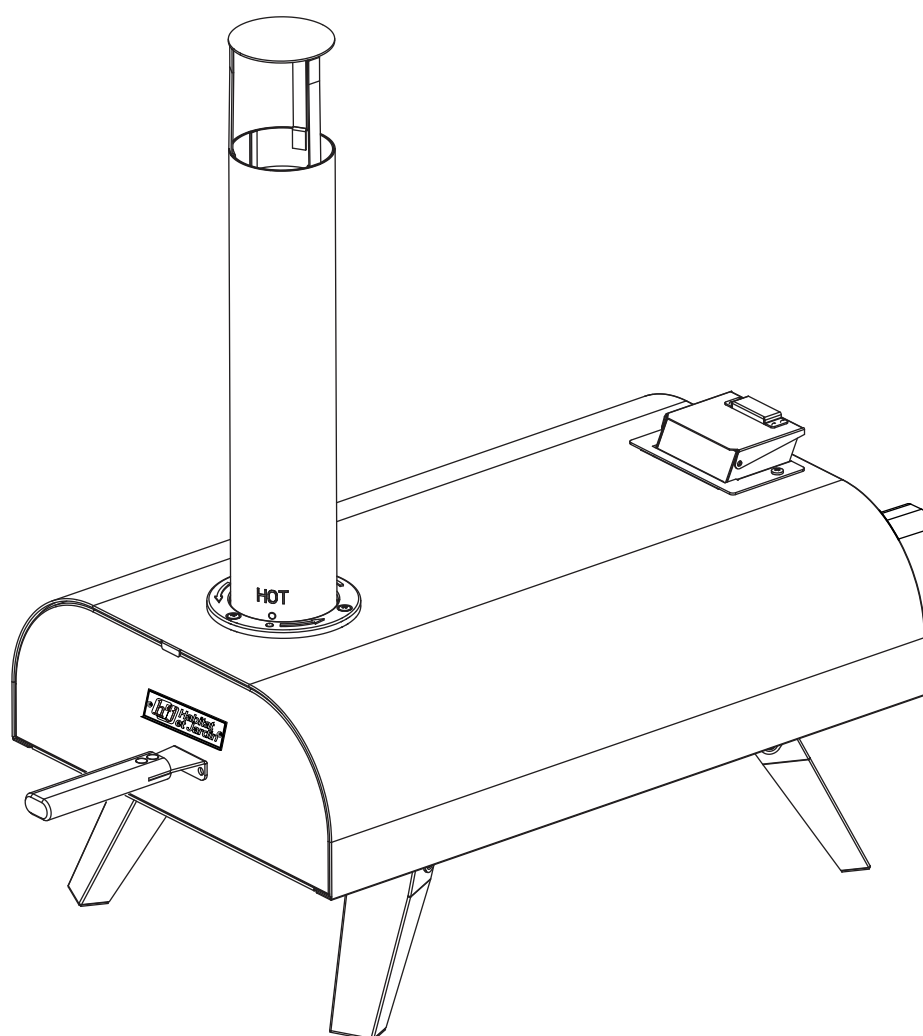
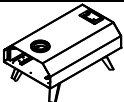

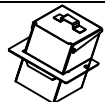

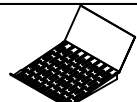

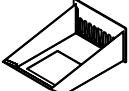
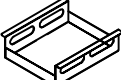

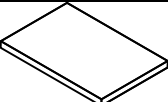







Master

1545_134647



Ref:1545_134647

A		540x350x130 MM	X 1	1/1
B		380x75x75 MM	X 1	1/1
C		135x30x10 MM	X 1	1/1
D		100x80x80 MM	X 1	1/1
E		135x120x80 MM	X 1	1/1
F		135x30x10 MM	X 1	1/1
G		135x120x80 MM	X 1	1/1
H		150X150X30 MM	X 1	1/1
I		350X2 MM	X 1	1/1
J		300x300x10 MM	X 1	1/1
K		340x125x10 MM	X 1	1/1
L		135x30x10 MM	X 1	1/1
M		M5X15	X2	1/1
N		120x75x75 MM	X 1	1/1
O		M4X10	X2	1/1

Ref:1545_134647

FR : SAV/INFORMATION /VIDEO/CONTACT

EN: AFTER-SALES SERVICE/INFORMATION/VIDEO/CONTACT

DE : REPARATUR-SERVICE UND ERSATZTEILE /INFORMATIONEN /VIDEO/KONTAKT

ES: SERVICIO POST-VENTA/INFORMACION/VIDEO/CONTACTO

IT: SERVIZIO ASSISTENZA/INFORMAZIONI/VIDEO/CONTATTO

PT: SERVIÇO PÓS-VENDA/INFORMAÇÕES/VIDEO/CONTATO

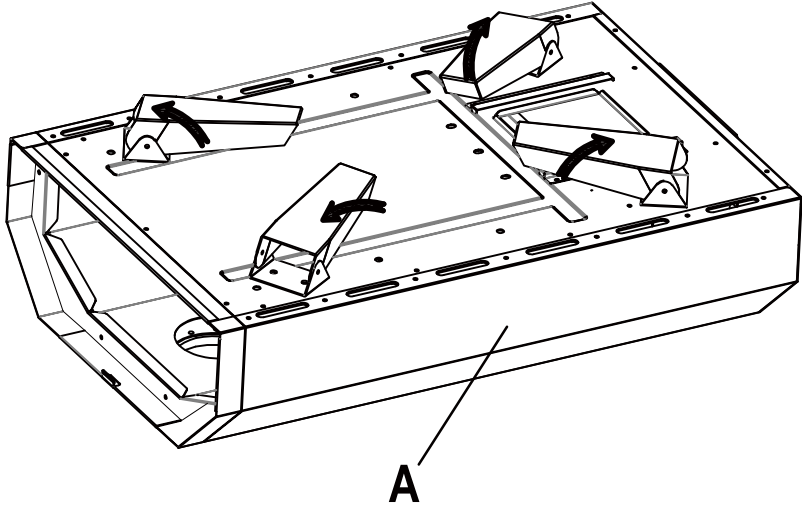
PL: SERWIS TECHNICZNY/INFORMACJE/WIDEO/KONTAKT

NE: AFTER SALES SERVICE/INFORMATIE/VIDEO/CONTACT

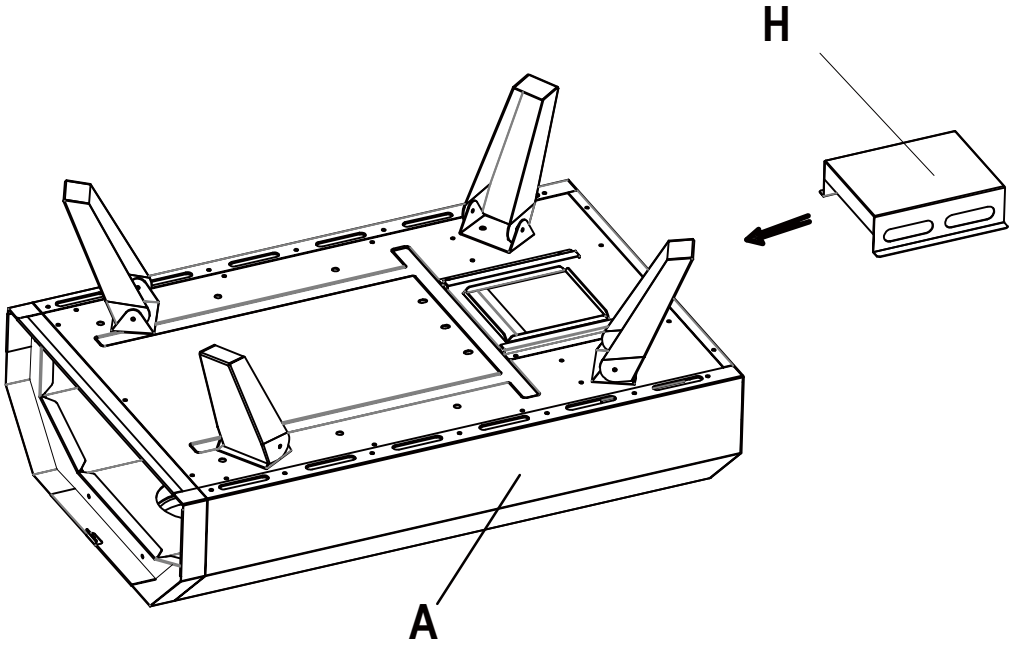
HE: מע רשקתל/ואדיונה/ עדימ/תורכמו תוריש רחאל

SAV.HABITATETJARDIN.COM

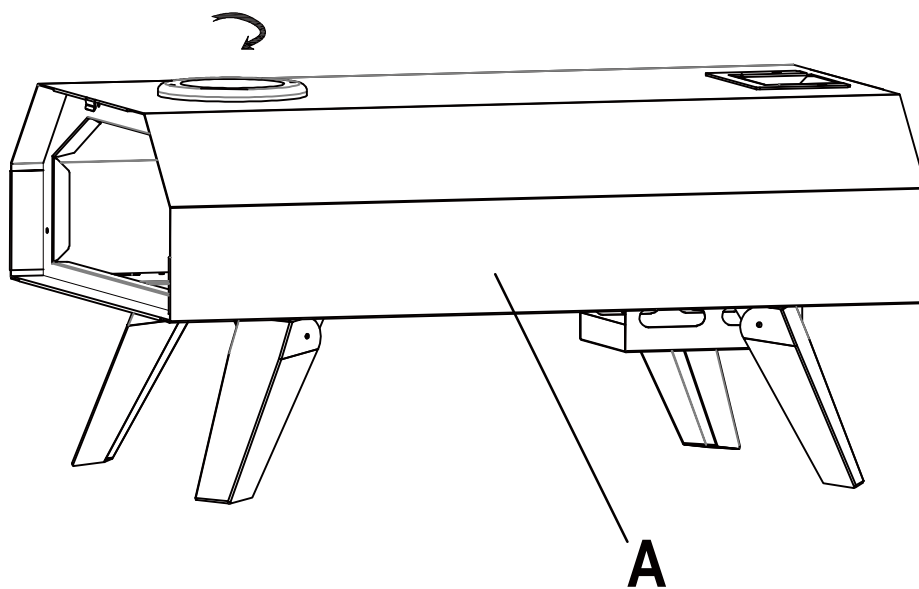
1



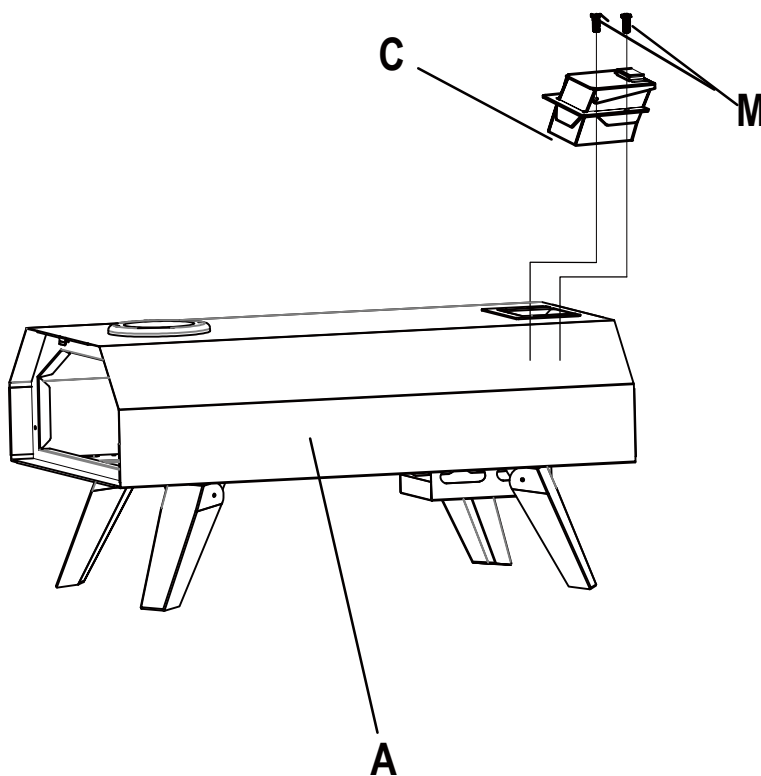
2



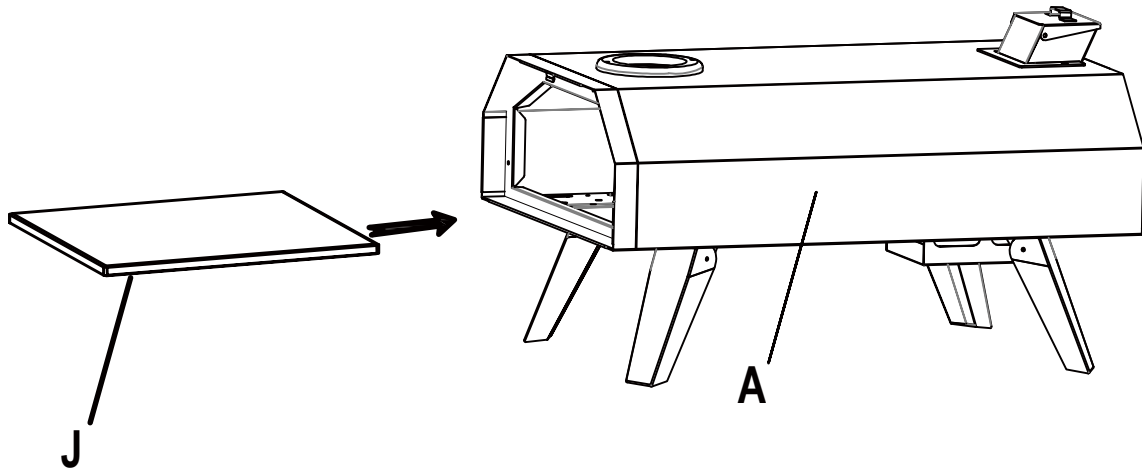
3



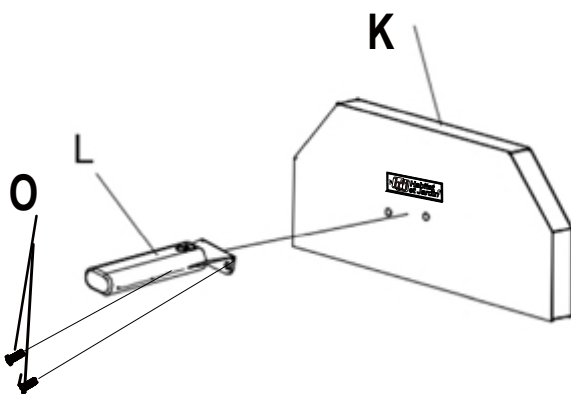
4



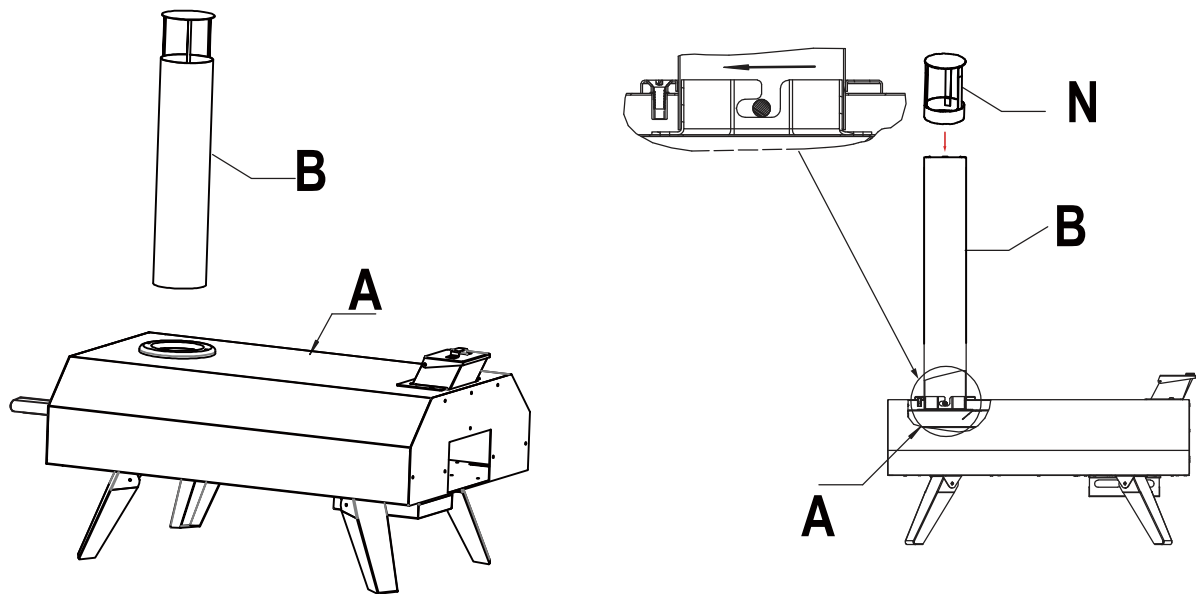
5



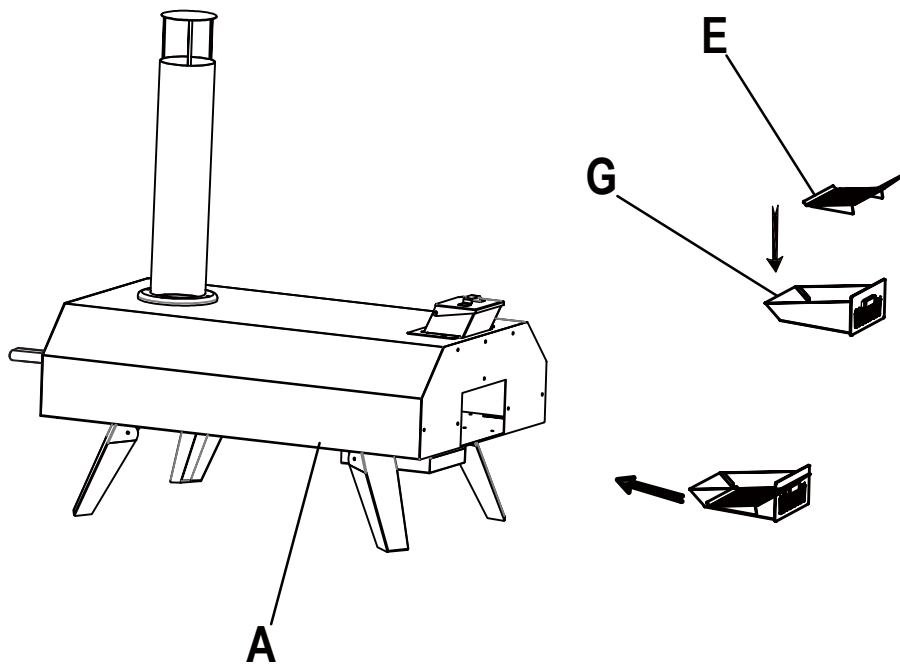
6



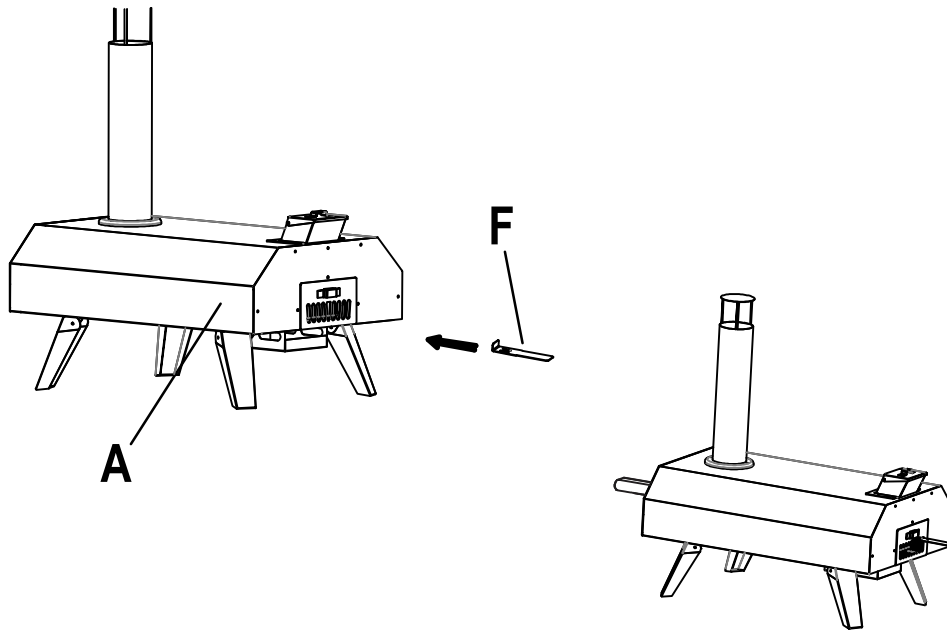
7



8



9



10

