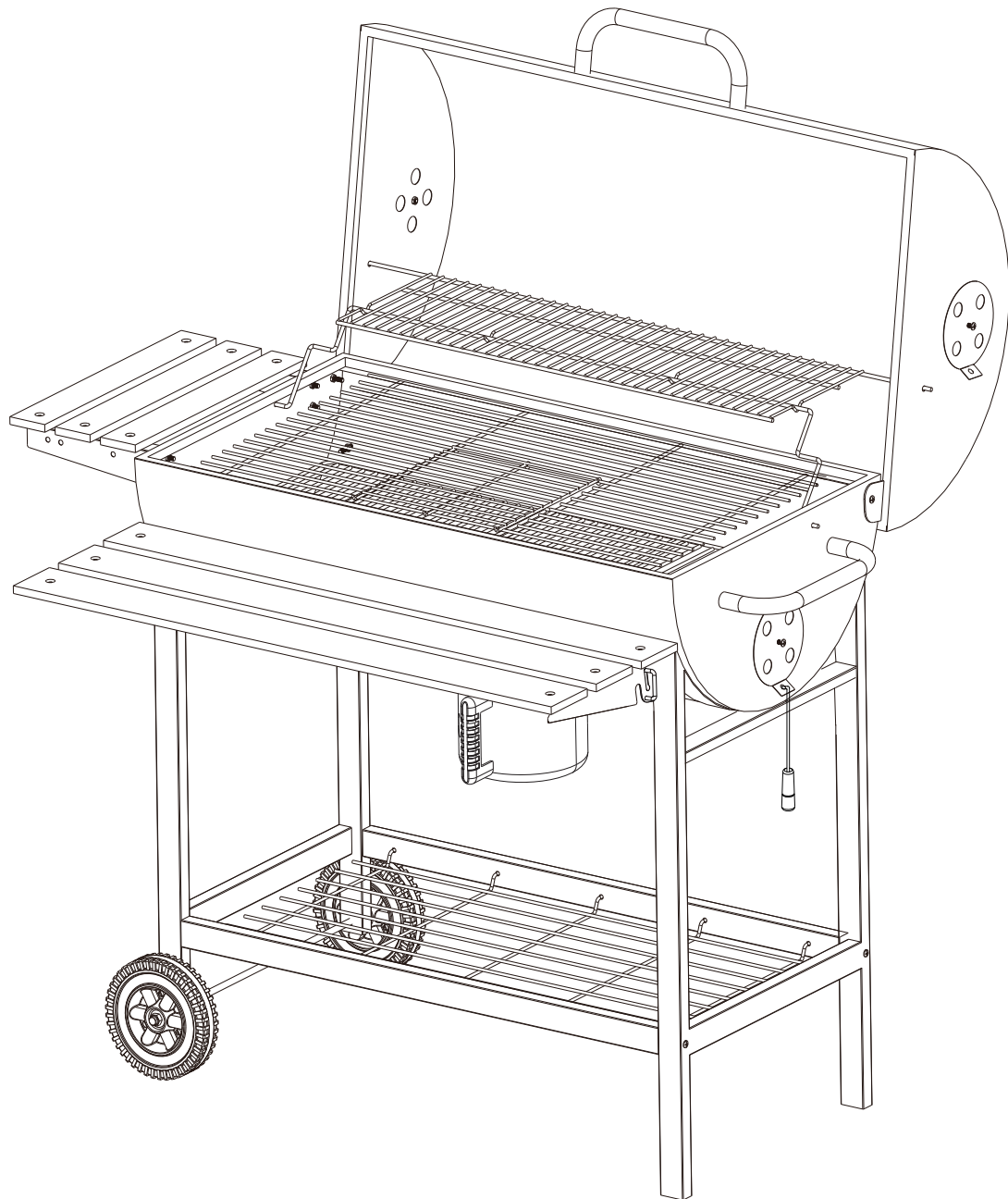
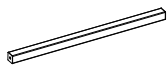



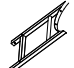

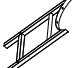
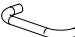




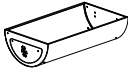

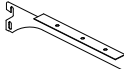
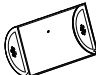



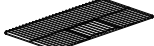






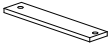




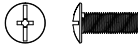








# King

1545\_94122



# Ref:1545\_94122

|    |   |                |     |     |    |  |                |     |     |
|----|---|----------------|-----|-----|----|--|----------------|-----|-----|
| 1  |    | 610x25x25 MM   | X 2 | 1/1 | 15 |    | 740X80X10 MM   | X 3 | 1/1 |
| 2  |    | 450X310X25 MM  | X 1 | 1/1 | 16 |    | 285X90X29 MM   | X 2 | 1/1 |
| 3  |    | 706X335X25 MM  | X 1 | 1/1 | 17 |    | 80X30X30 MM    | X 2 | 1/1 |
| 4  |    | 653X335X25 MM  | X 1 | 1/1 | 18 |    | 220X125X192 MM | X 1 | 1/1 |
| 5  |    | 460X6.8X6.8 MM | X 1 | 1/1 | 19 |    | 108X95X1 MM    | X 4 | 1/1 |
| 6  |    | 155X155X40 MM  | X 2 | 1/1 | 20 |    | 20x3.7 MM      | X 1 | 1/1 |
| 7  |    | 743X403X200 MM | X 1 | 1/1 | 21 |    | 127X18X10 MM   | X 1 | 1/1 |
| 8  |    | 285X90X29 MM   | X 2 | 1/1 | 22 |    | 770X422X200 MM | X 1 | 1/1 |
| 9  |    | 200X207X38 MM  | X 1 | 1/1 | 23 |    | 70X36X13 MM    | X 2 | 1/1 |
| 10 |    | 250X5X5 MM     | X 1 | 1/1 | 24 |    | 710X370X4x3 MM | X 1 | 1/1 |
| 11 |   | 180X180X50 MM  | X 1 | 1/1 | 25 |   | 227X35X3 MM    | X 2 | 1/1 |
| 12 |  | 200X207X150 MM | X 1 | 1/1 | 26 |  | 555X265X4 MM   | X 1 | 1/1 |
| 13 |  | 135X28X175 MM  | X 1 | 1/1 | 27 |  | 694x200 MM     | X 1 | 1/1 |
| 14 |  | 317X55X10 MM   | X 3 | 1/1 | 28 |  | 110X110X20 MM  | X 2 | 1/1 |

|   |   |          |      |     |   |  |          |      |     |
|---|---|----------|------|-----|---|--|----------|------|-----|
| A |  | M6X50 MM | X 4  | 1/1 | F |  | M5X20 MM | X 12 | 1/1 |
| B |  | M8 MM    | X 2  | 1/1 | G |  | M5 MM    | X 24 | 1/1 |
| C |  | M6X12 MM | X 14 | 1/1 | H |  | M6X20 MM | X 4  | 1/1 |
| D |  | M6 MM    | X 17 | 1/1 | I |  | M5X12 MM | X 10 | 1/1 |
| E |  | M6 MM    | X 2  | 1/1 | J |  | M6X12 MM | X 2  | 1/1 |
|   |   |          |      |     |   |  |          |      |     |

FR : SAV/INFORMATION /VIDEO/CONTACT

EN: AFTER-SALES SERVICE/INFORMATION/VIDEO/CONTACT

DE : REPARATUR-SERVICE UND ERSATZTEILE /INFORMATIONEN /VIDEO/KONTAKT

ES: SERVICIO POST-VENTA/INFORMACI N/VIDEO/CONTACTO

IT: SERVIZIO ASSISTENZA/INFORMAZIONI/VIDEO/CONTATTO

PT: SERVIÇO P S-VENDA/INFORMAÇÕES/VIDEO/CONTATO

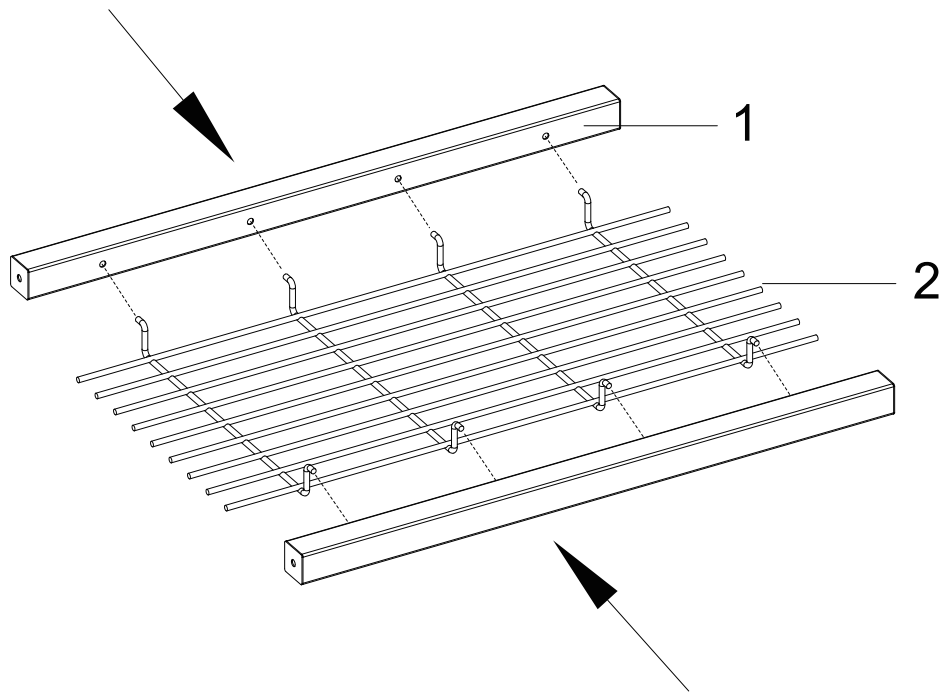
PL: SERWIS TECHNICZNY/INFORMACJE/WIDEO/KONTAKT

NE: AFTER SALES SERVICE/INFORMATIE/VIDEO/CONTACT

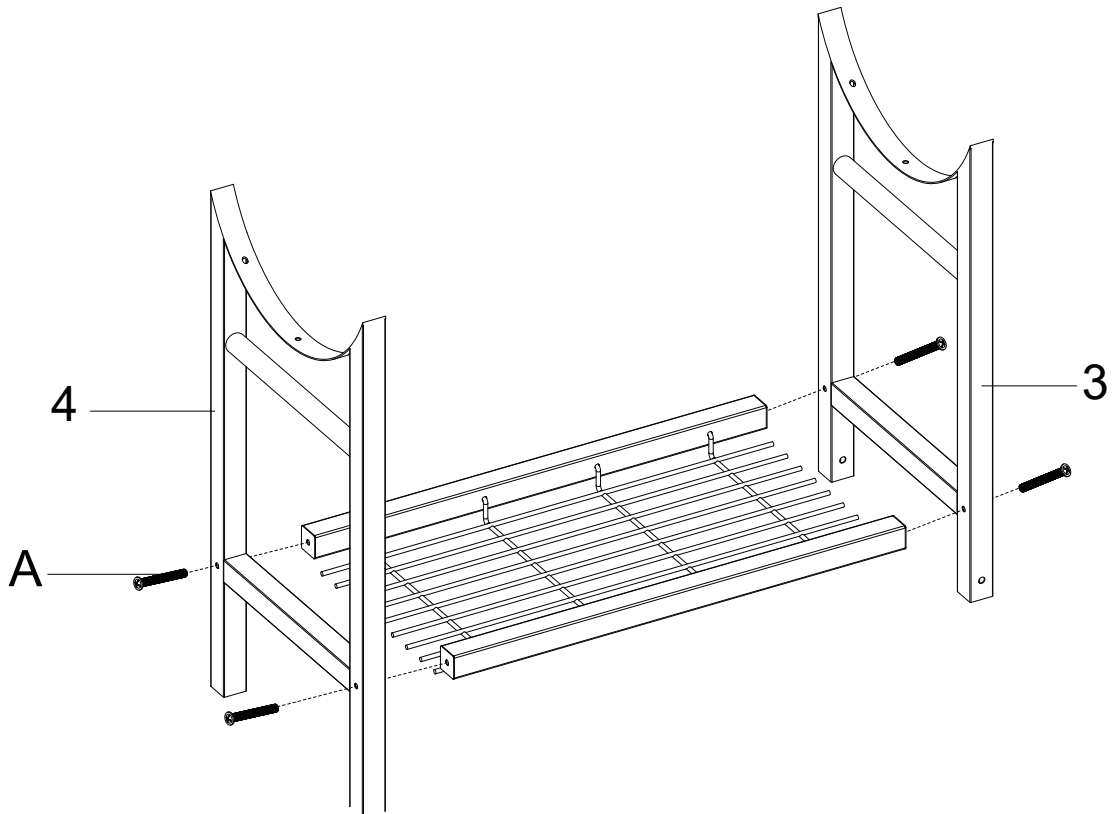
HE: סע רשקתל/ואדיוור/ עדימ/תורכימו תוריש רחאל

[SAV.HABITATETJARDIN.COM](http://SAV.HABITATETJARDIN.COM)

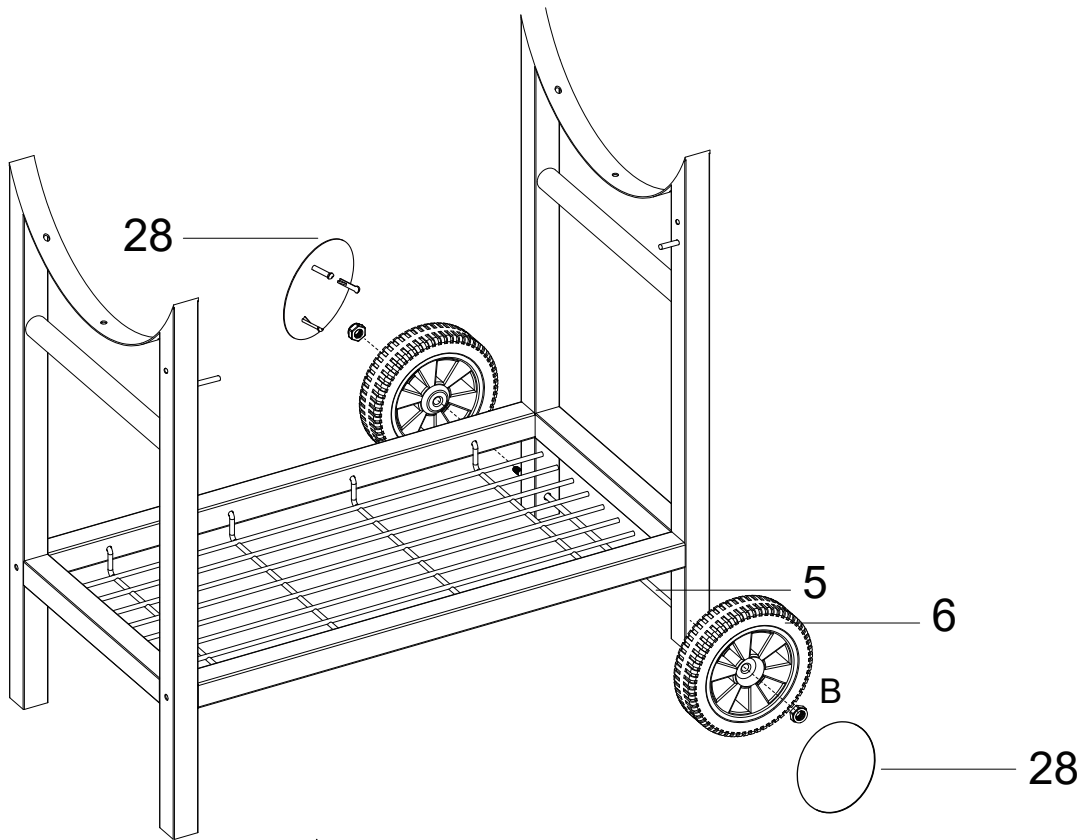




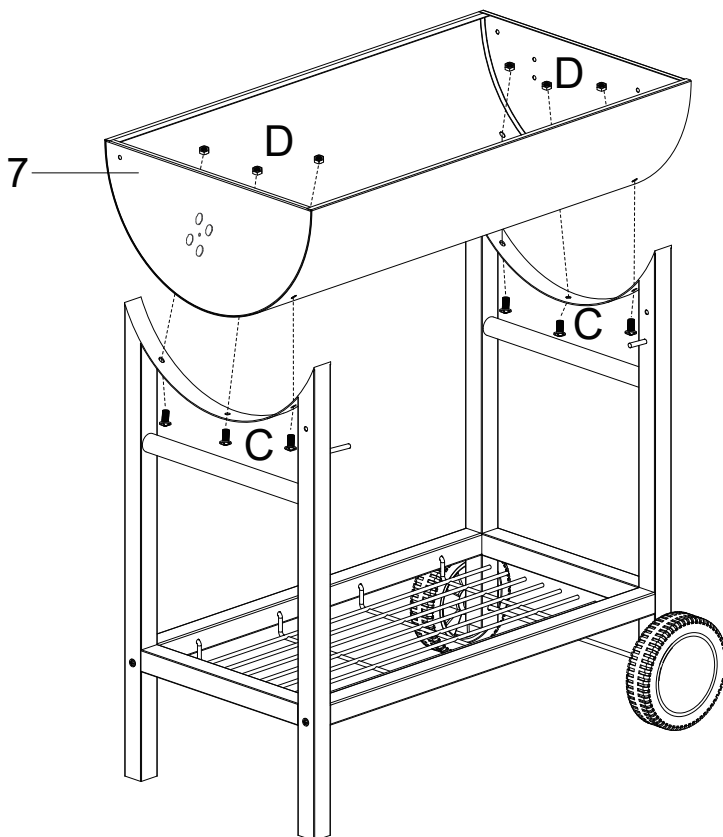
1



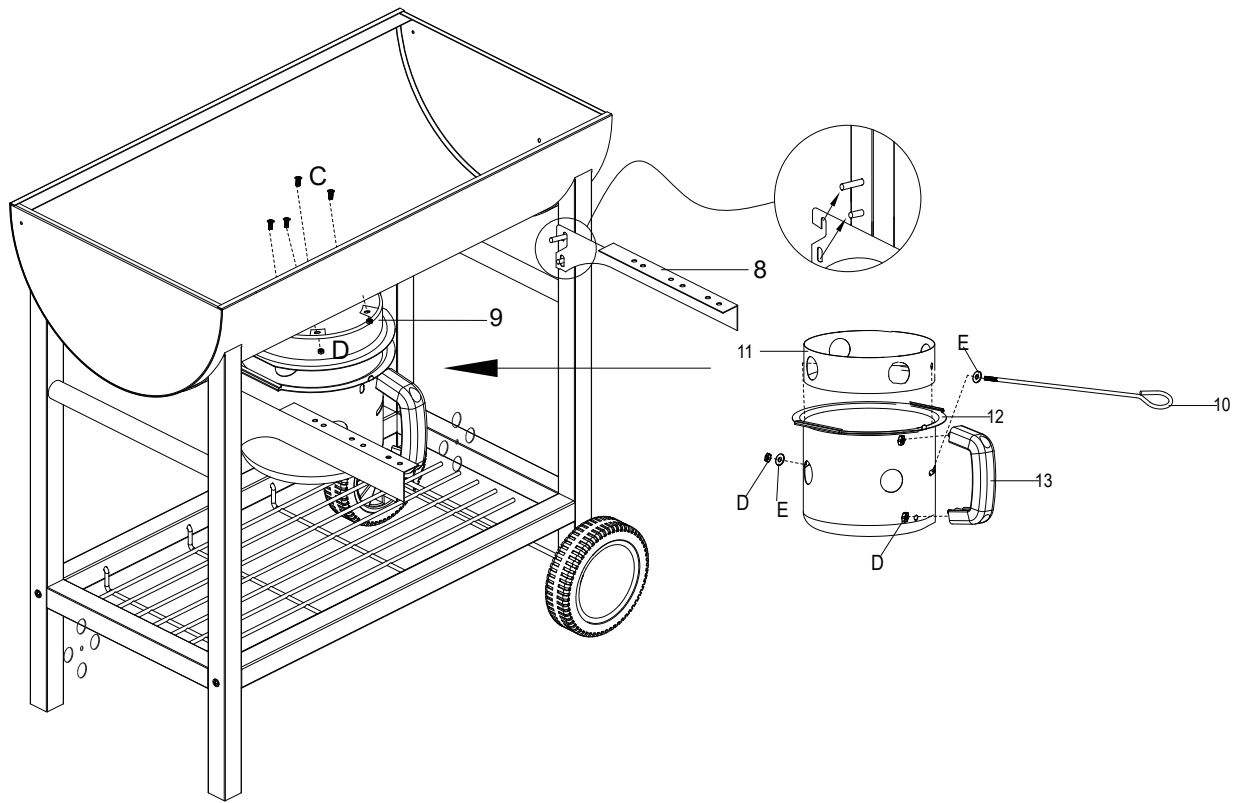
2



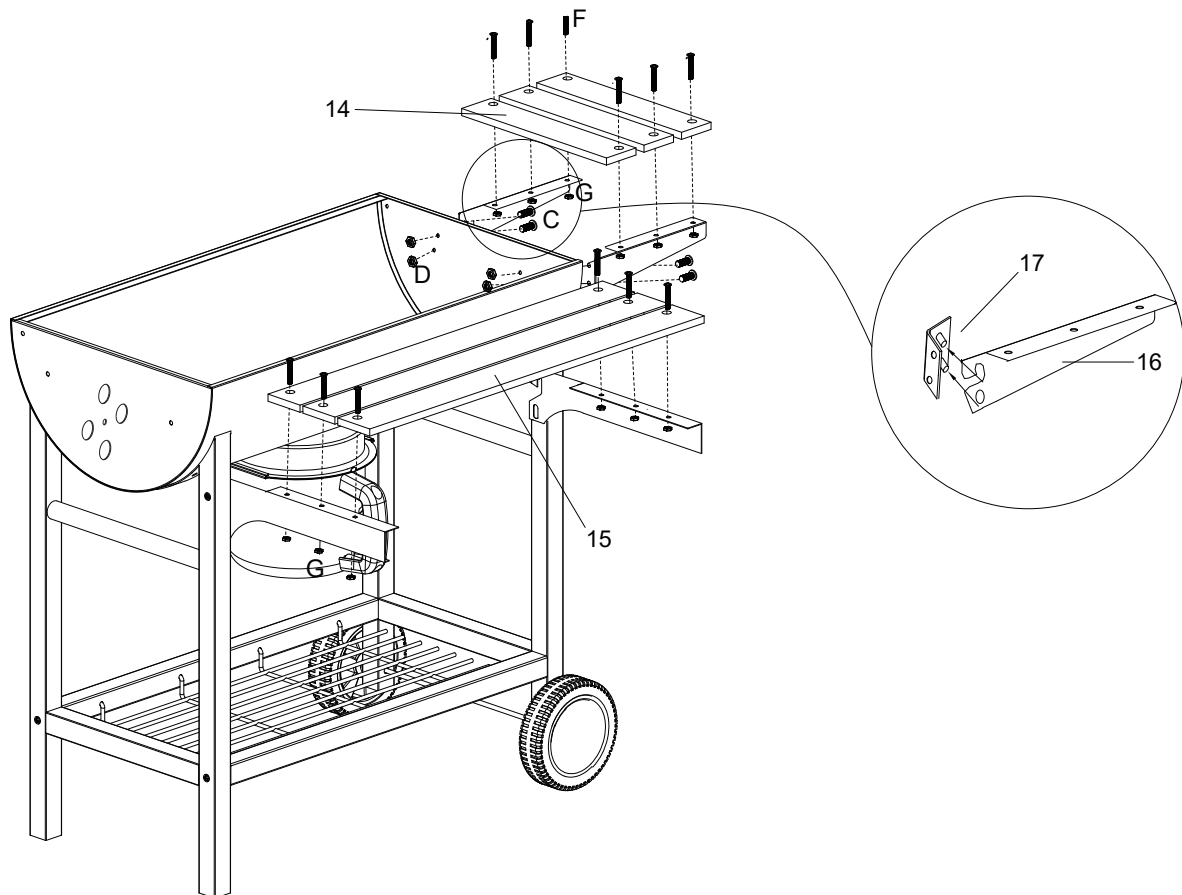
3



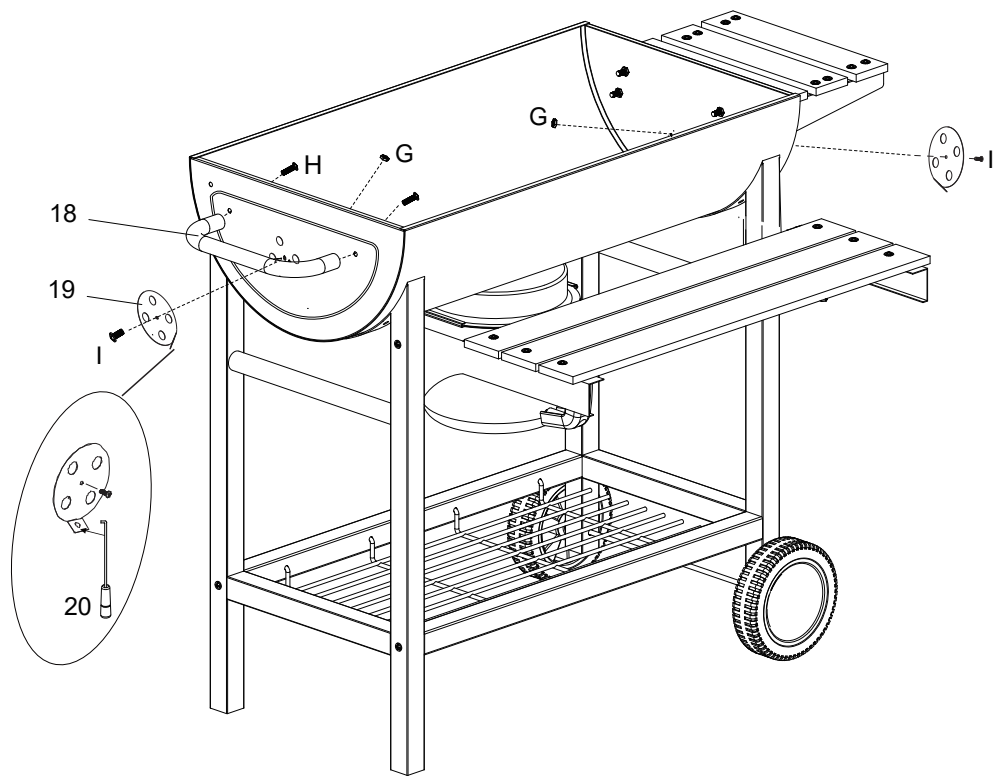
4



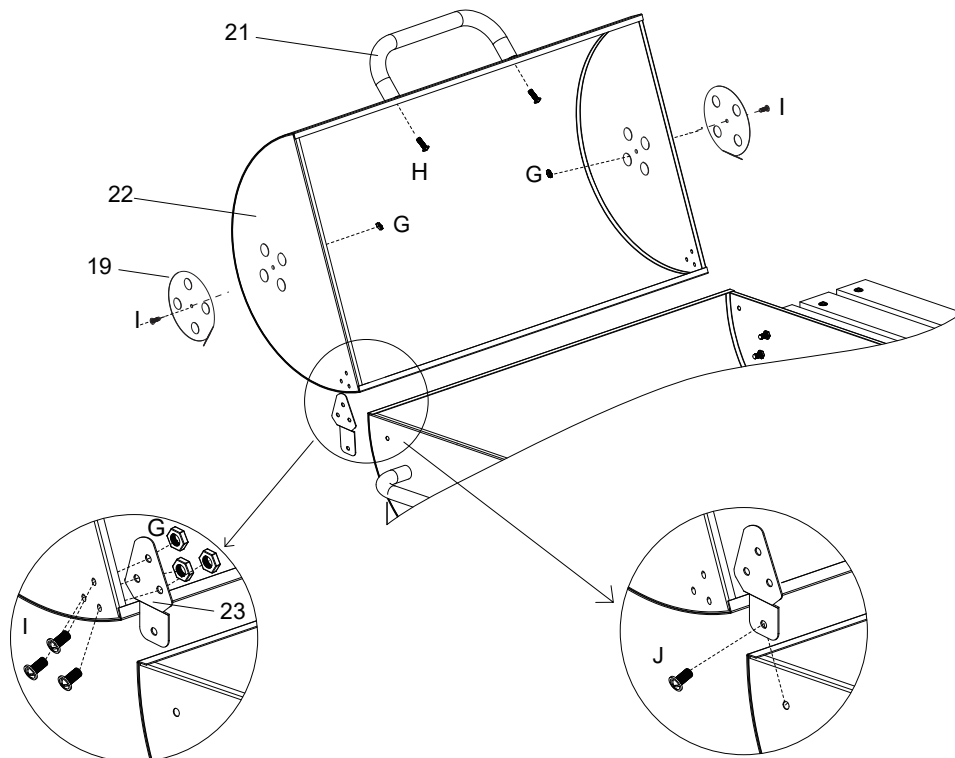
5



6



7



8

