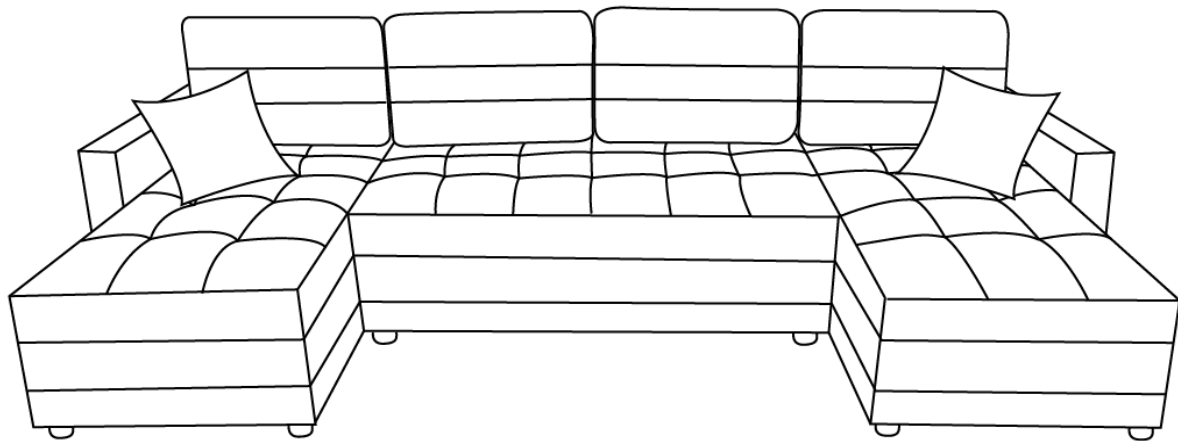
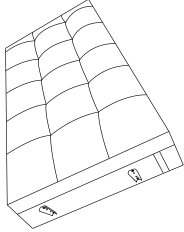
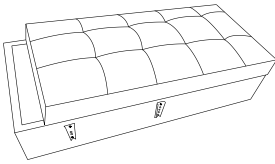
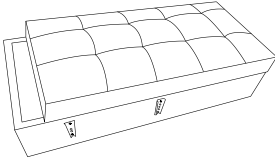
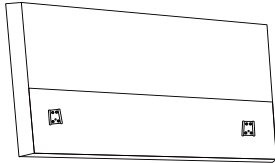
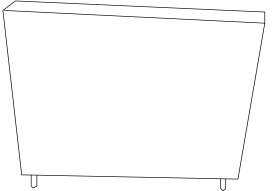
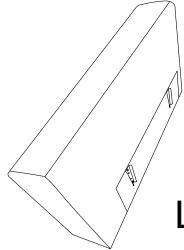
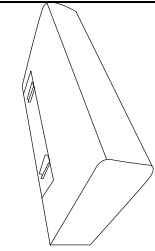


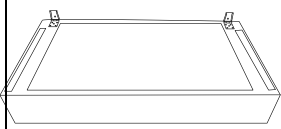
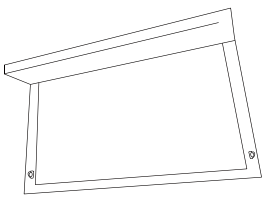

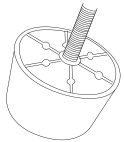
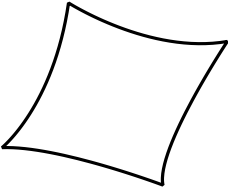
# Antoine

1359\_129096



# 1359\_129096

|   | Image   | Size          | Quantite |           |
|---|---|---------------|----------|-----------|
| A |          | 132*76*39CM   | 1        | 1/3       |
| B |          | 142.5*66*39CM | 1        | 2/3       |
| C |         | 142.5*66*39CM | 1        | 3/3       |
| D |        | 131.5*12*74CM | 1        | 1/3       |
| E |        | 64*12*50CM    | 2        | 2/3 & 3/3 |
| F |  Left  | 80*11*51CM    | 1        | 2/3       |
| G |  Right | 80*11*51CM    | 1        | 3/3       |

|   |   |             |    |                 |
|---|---|-------------|----|-----------------|
| H |    | 132*66*23CM | 1  | 1/3             |
| I |    | 132*77*39CM | 1  | 1/3             |
| J |    | 66*46*24CM  | 4  | 1/3 & 2/3 & 3/3 |
| K |   | 5*5*9CM     | 18 | 1/3 & 2/3 & 3/3 |
| L |  | 36*36CM     | 2  | 2/3 & 3/3       |

FR : SAV/INFORMATION /VIDEO/CONTACT

EN: AFTER-SALES SERVICE/INFORMATION/VIDEO/CONTACT

DE : REPARATUR-SERVICE UND ERSATZTEILE /INFORMATIONEN /VIDEO/KONTAKT

ES: SERVICIO POST-VENTA/INFORMACIÓN/VIDEO/CONTACTO

IT: SERVIZIO ASSISTENZA/INFORMAZIONI/VIDEO/CONTATTO

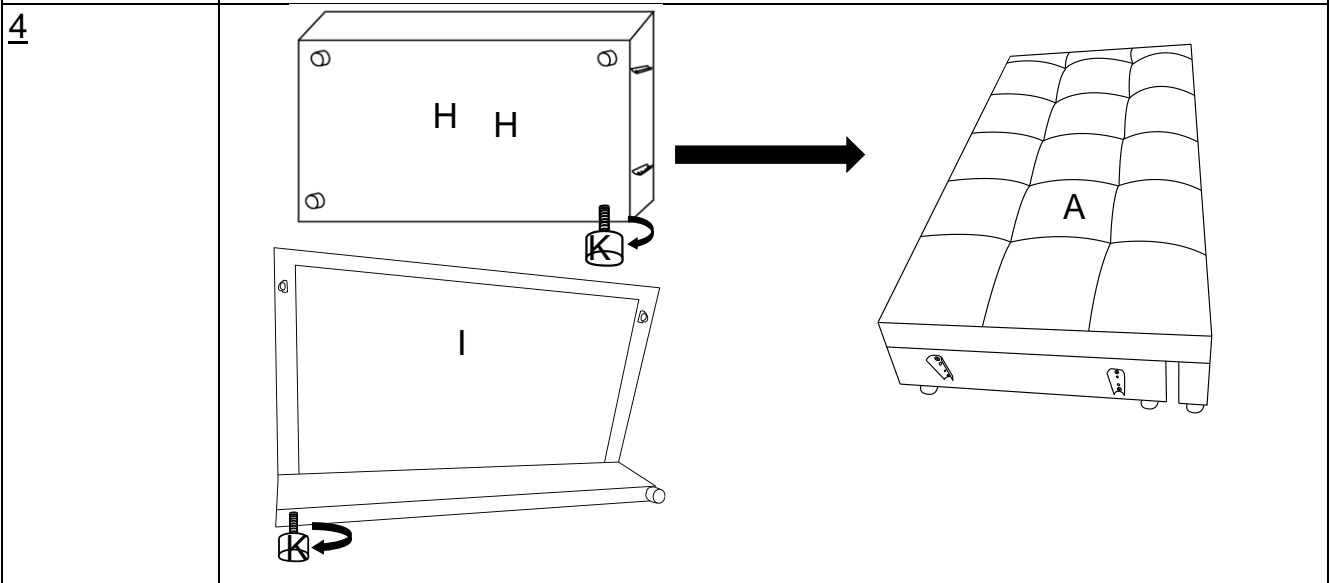
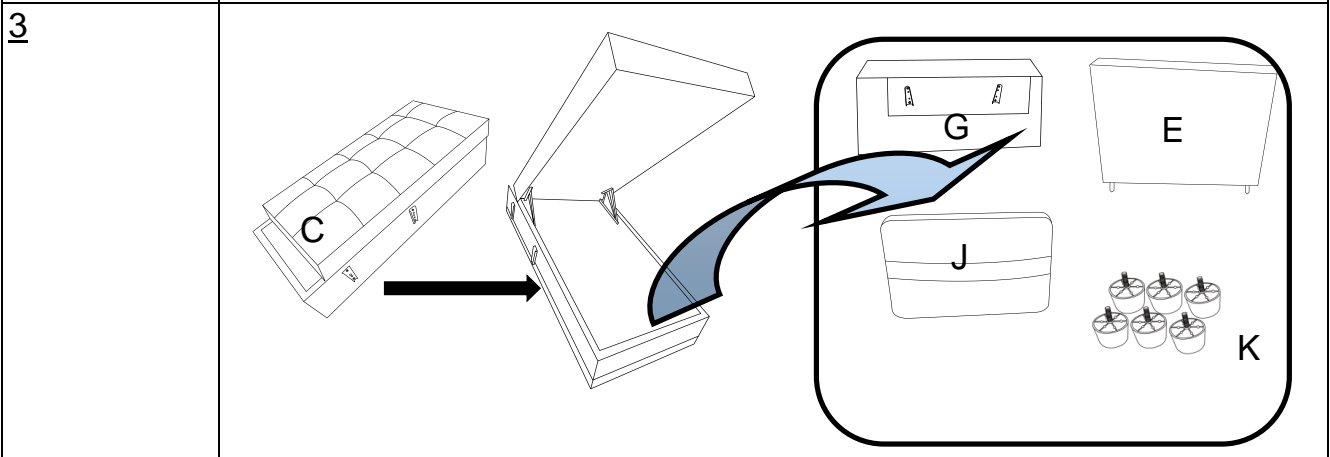
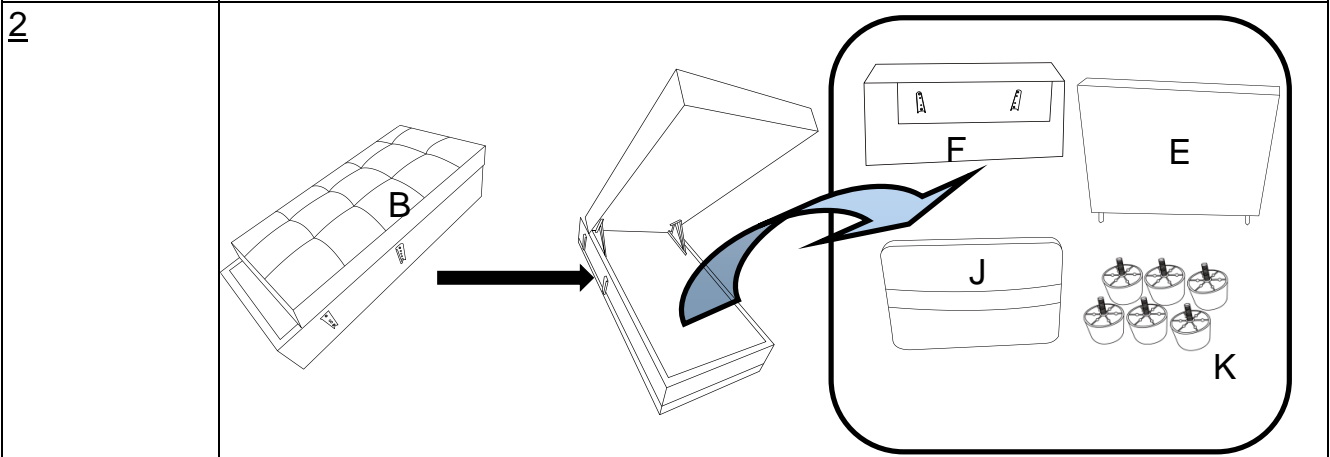
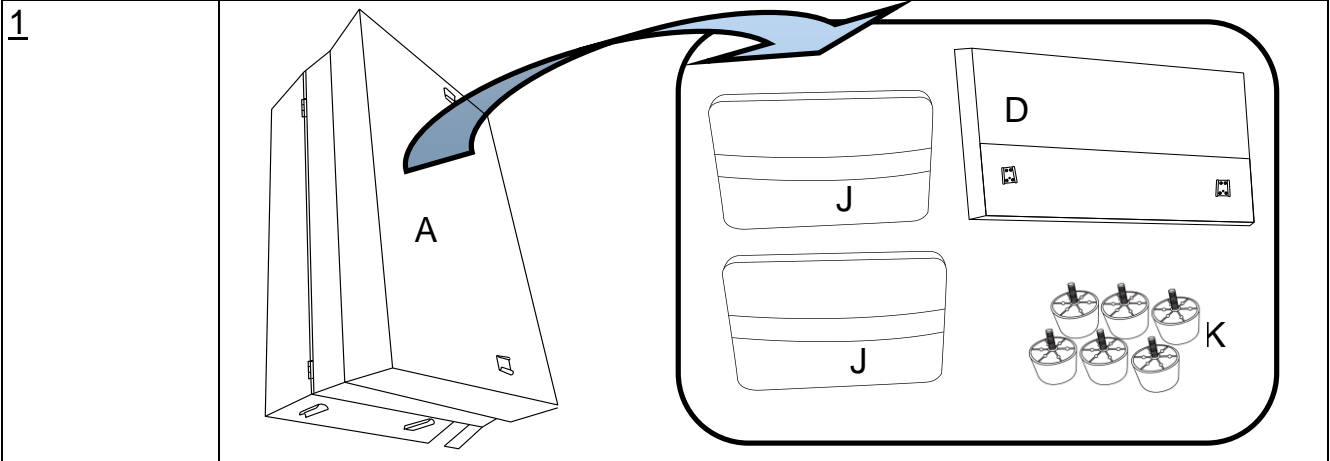
PT: SERVIÇO PÓS-VENDA/INFORMAÇÕES/VIDEO/CONTATO

PL: SERWIS TECHNICZNY/INFORMACJE/WIDEO/KONTAKT

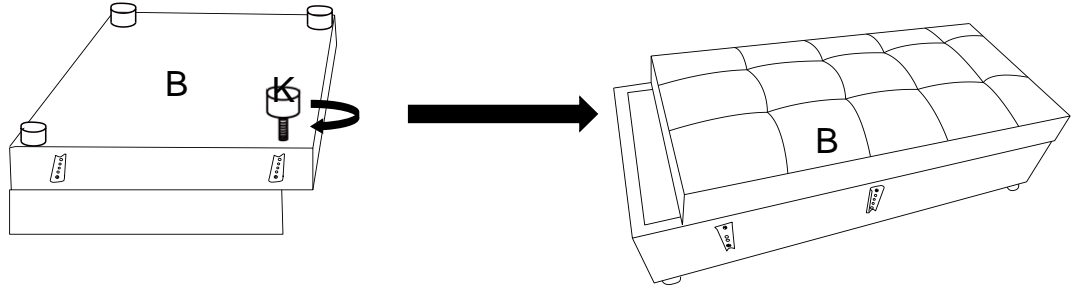
NE: AFTER SALES SERVICE/INFORMATIE/VIDEO/CONTACT

HE: לאחר שירות ומכירות/מידע /הווידיאו/לתקשר עם

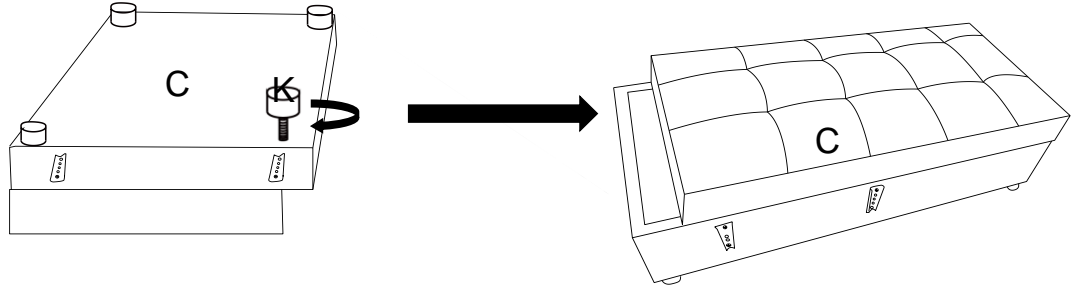
SAV. HABITATETJARDIN.COM

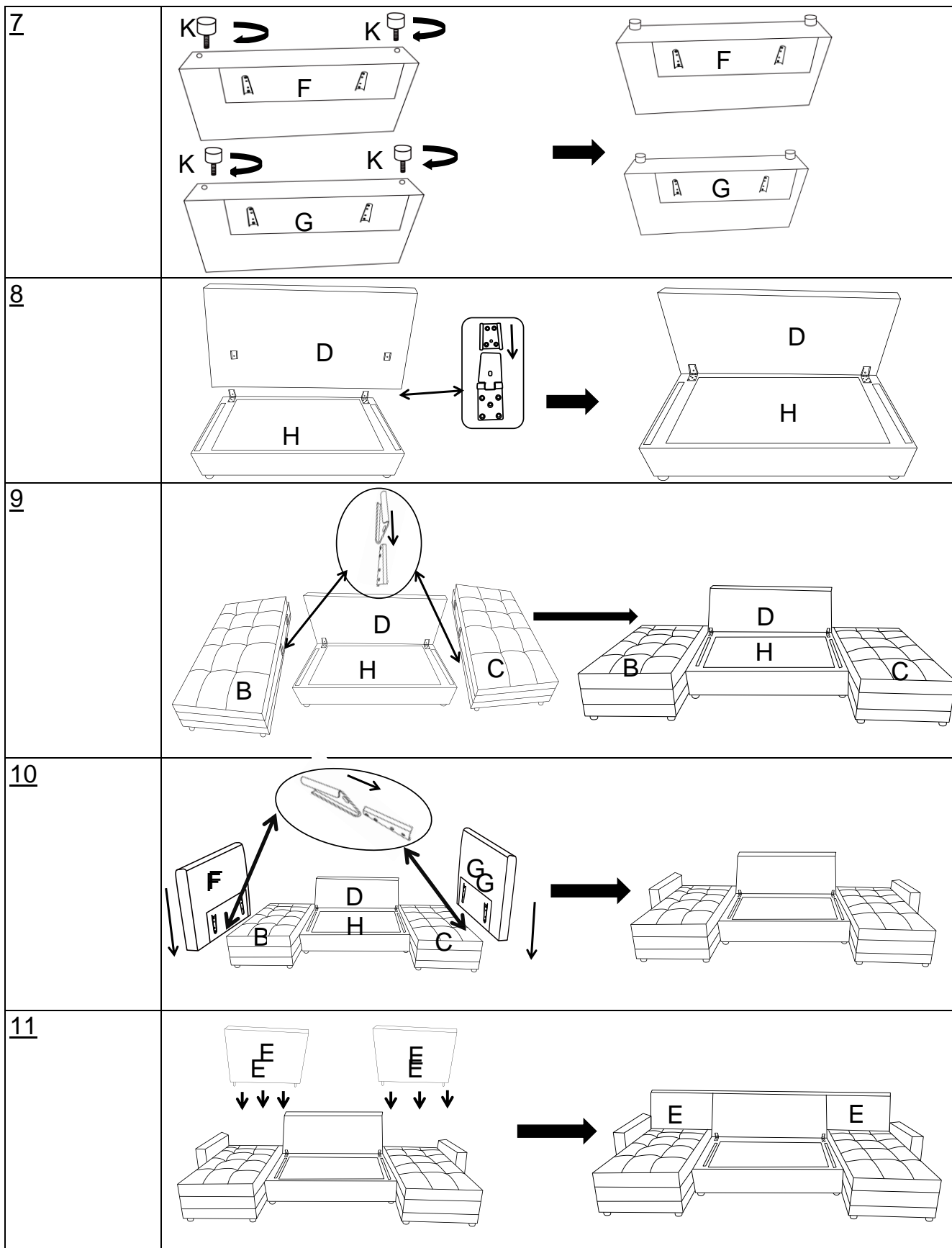


5

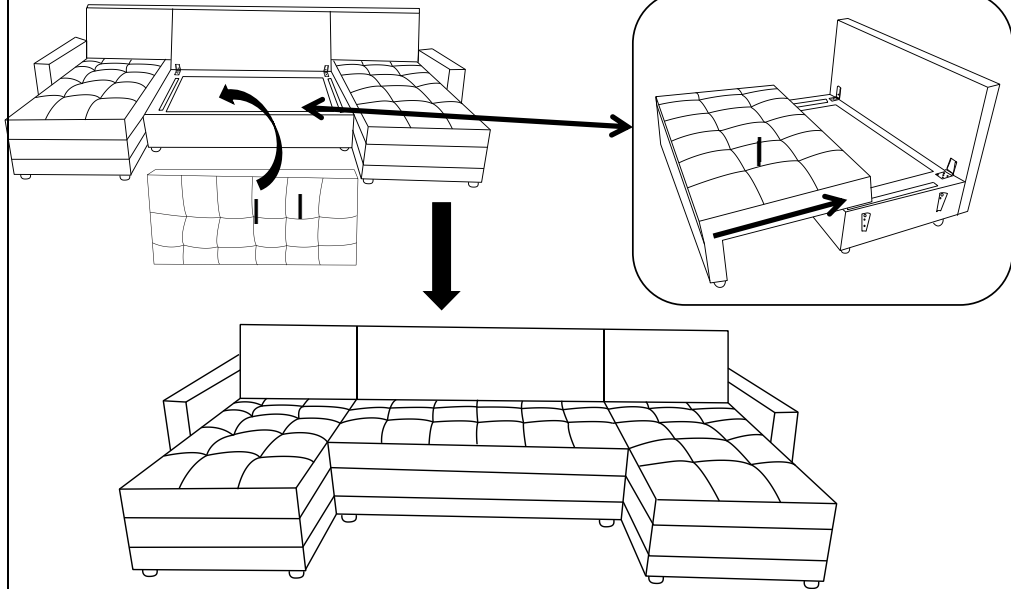


6

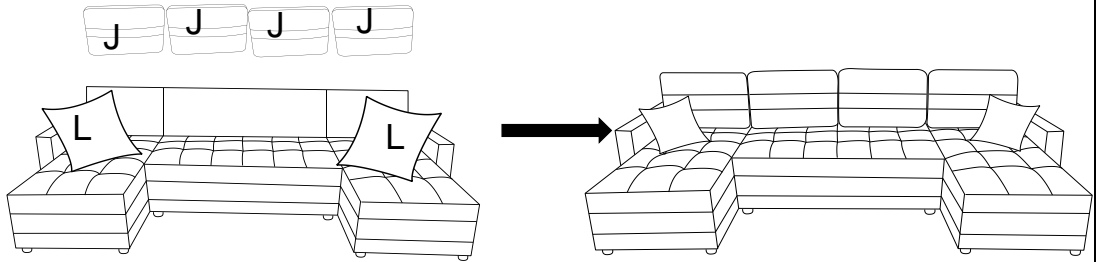




12



13



14

