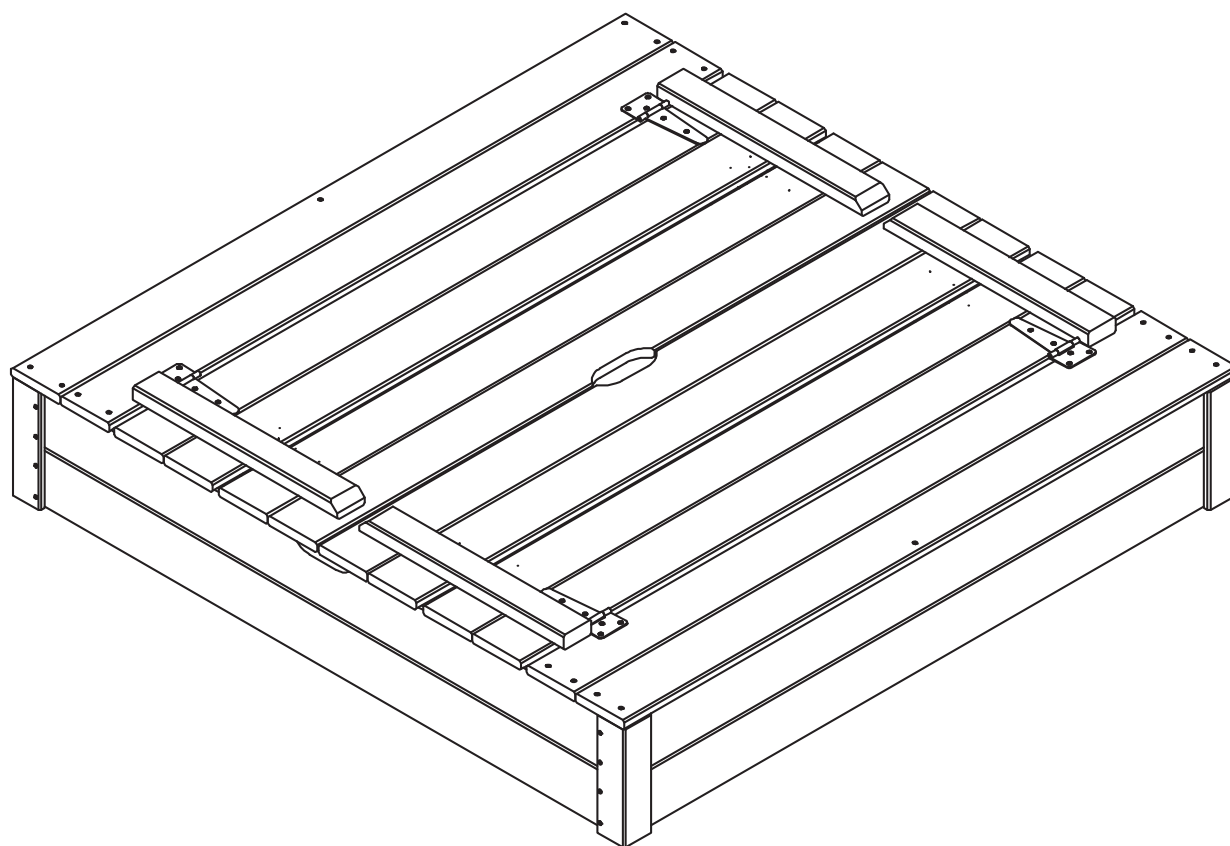
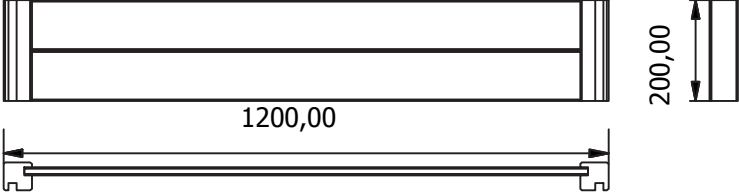
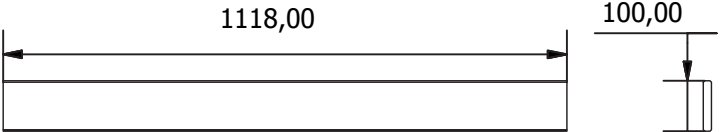
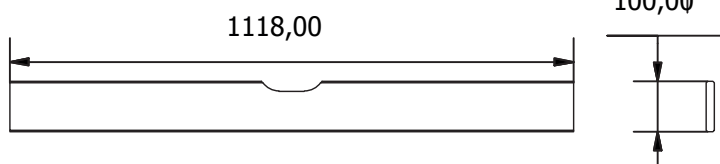
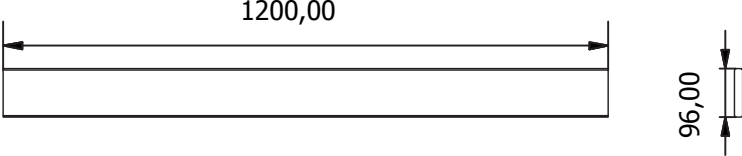
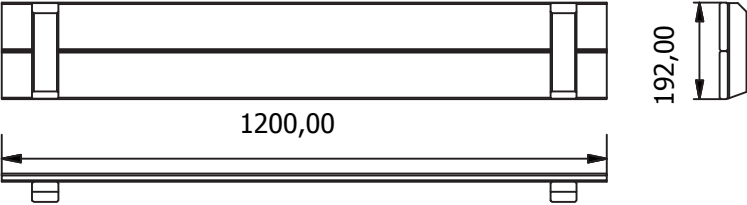
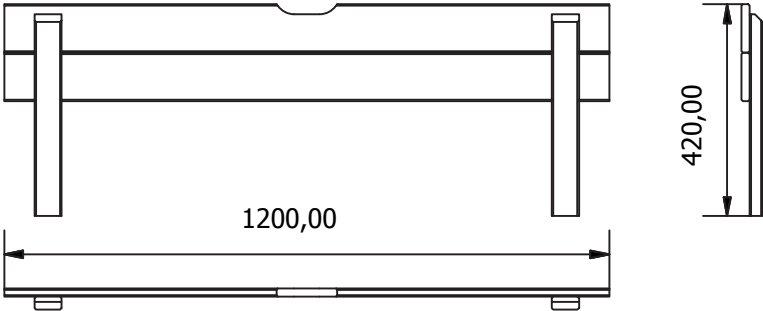





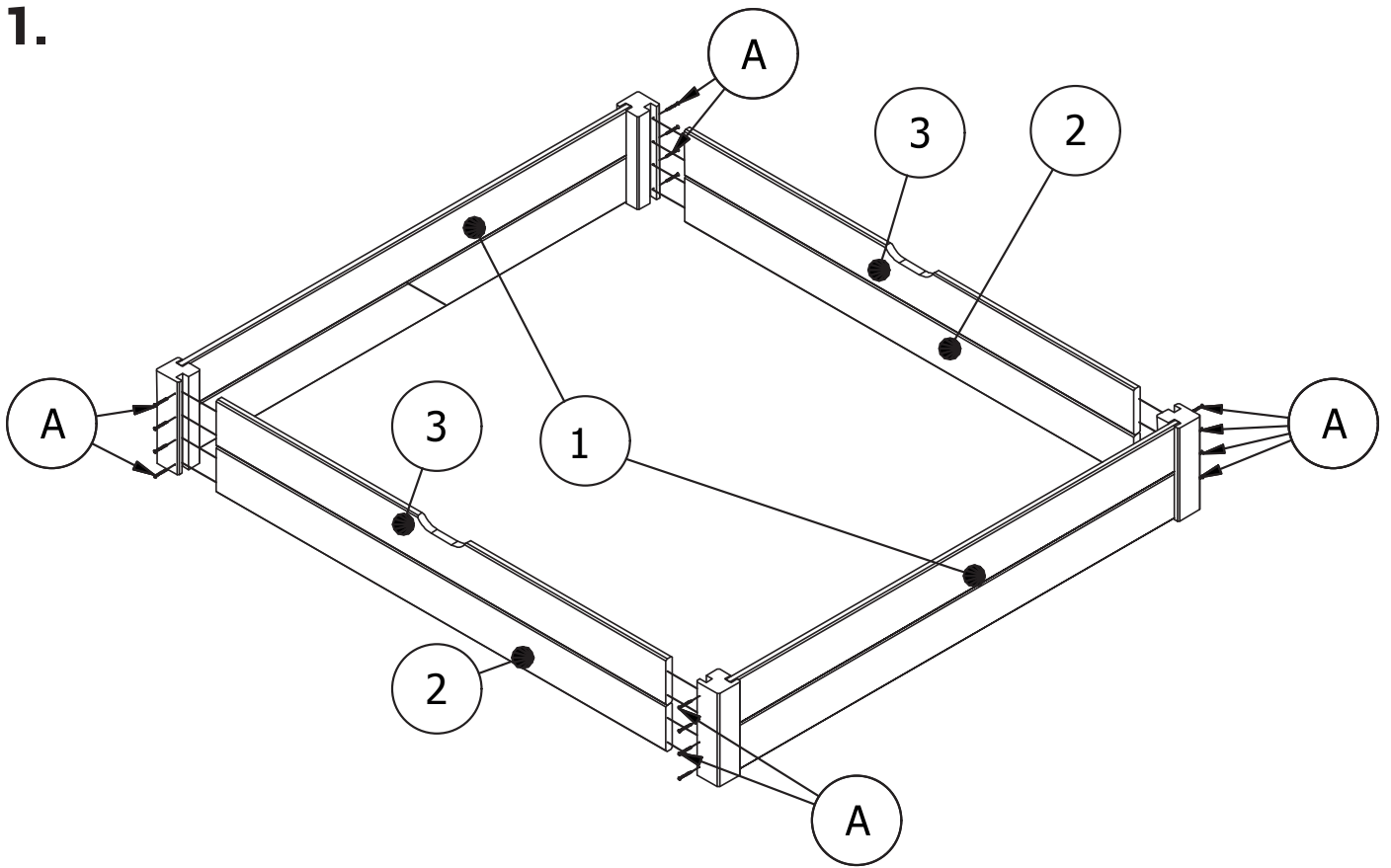
Ref:1450_104466

Sandy

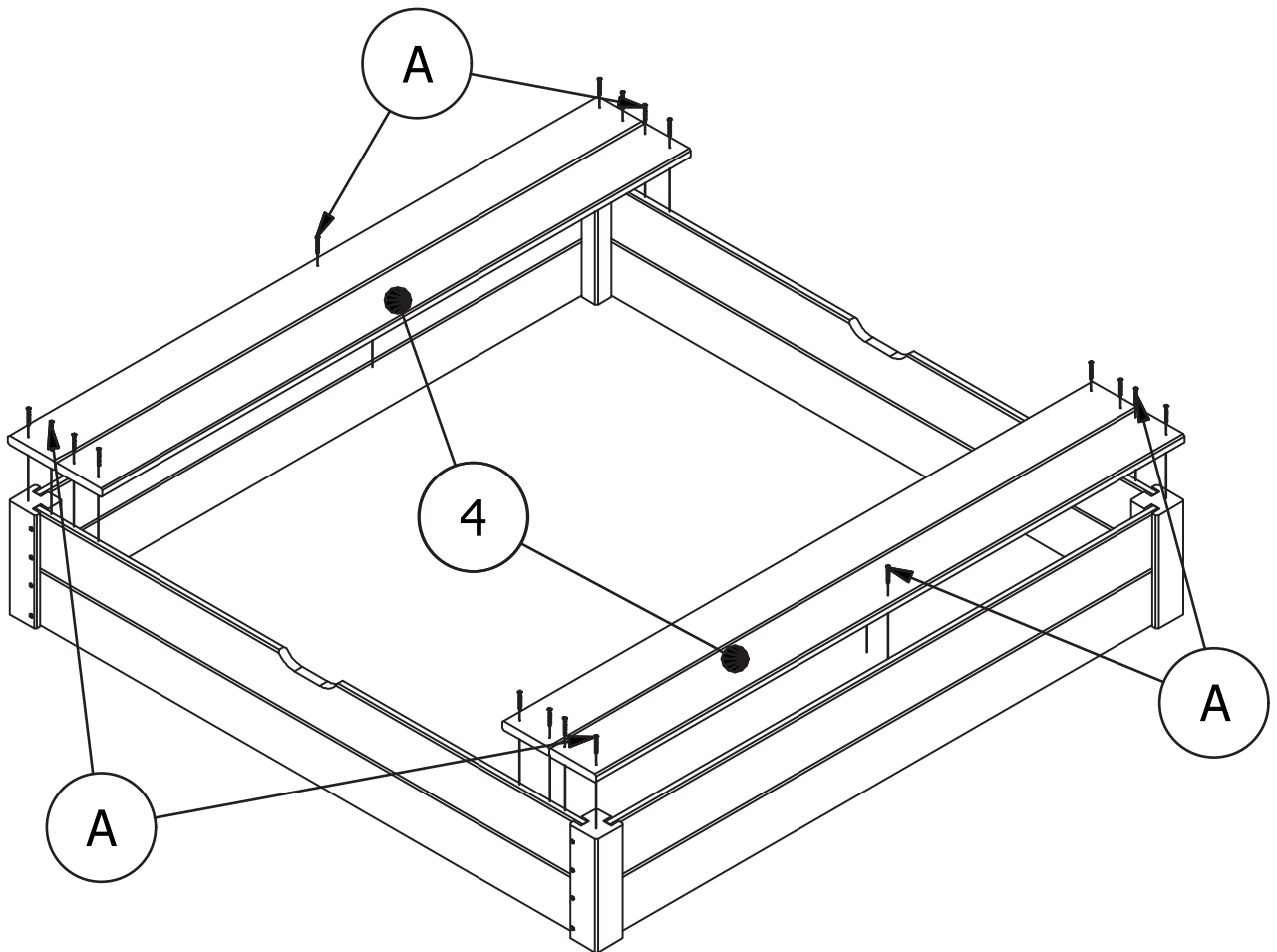


No	References	Quantite
1		2
2		2
3		2
4		4
5		2
6		2
7		Charniere 8
A		Vis 3,0x30 34
B		Vis 3,0x16 40

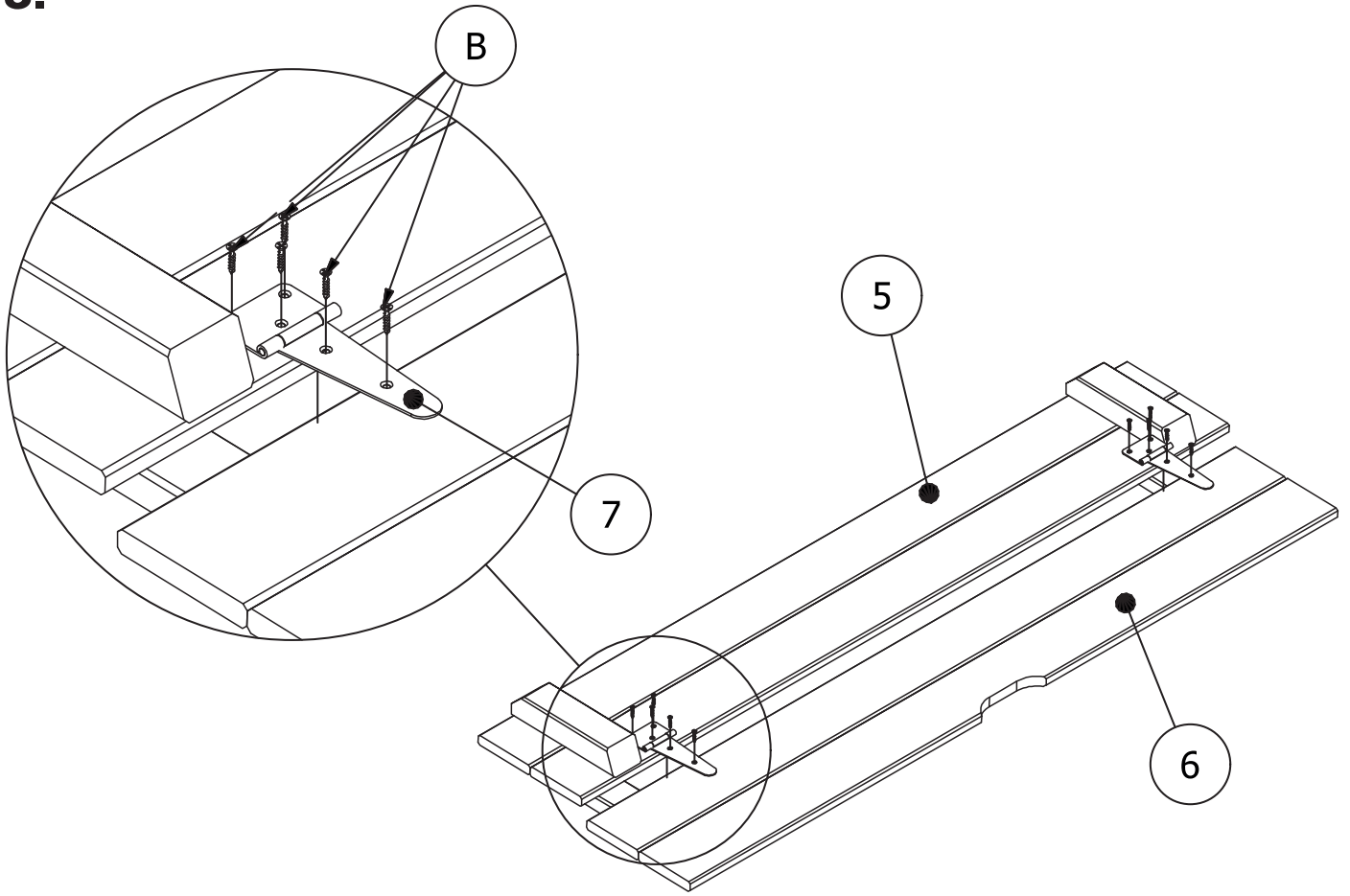
1.



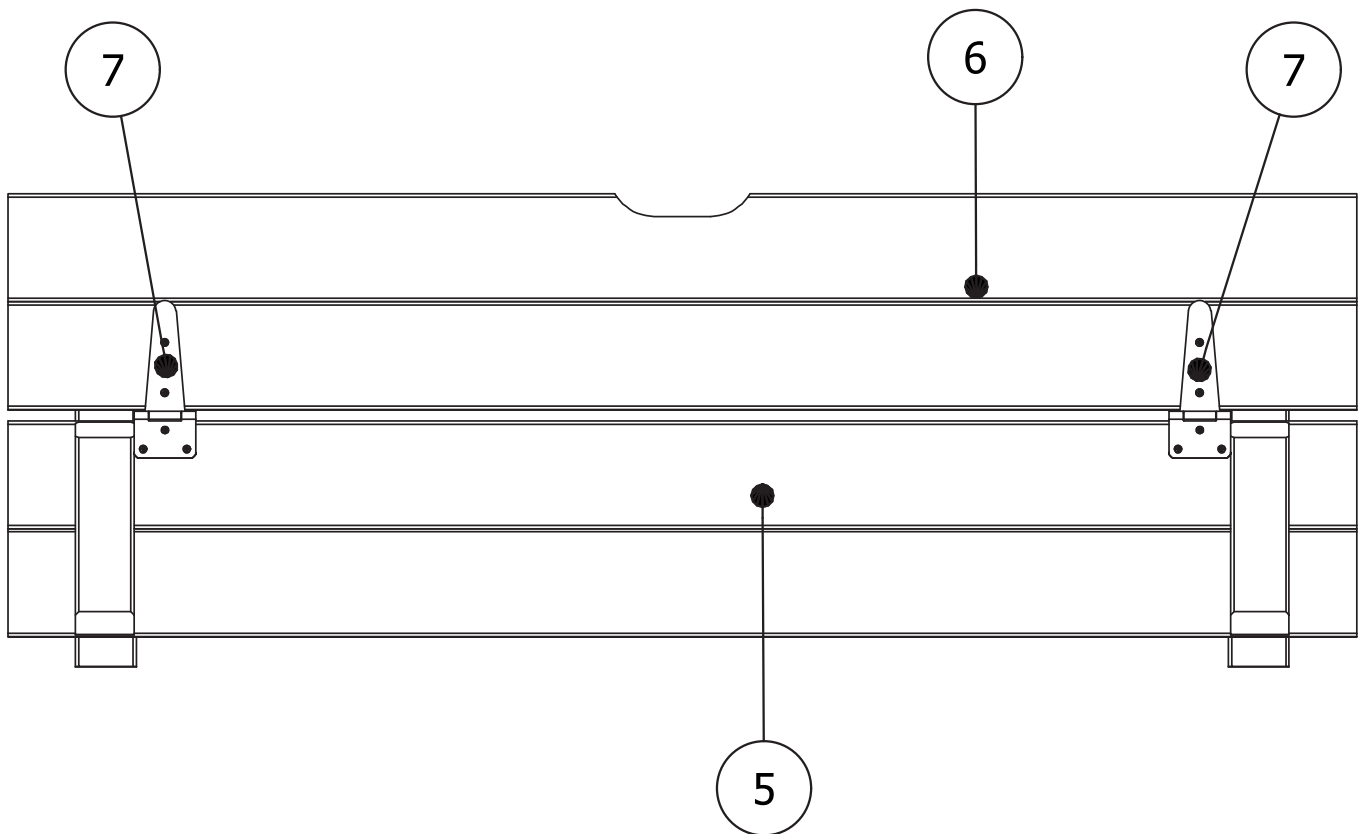
2.



3.



4.



5.

