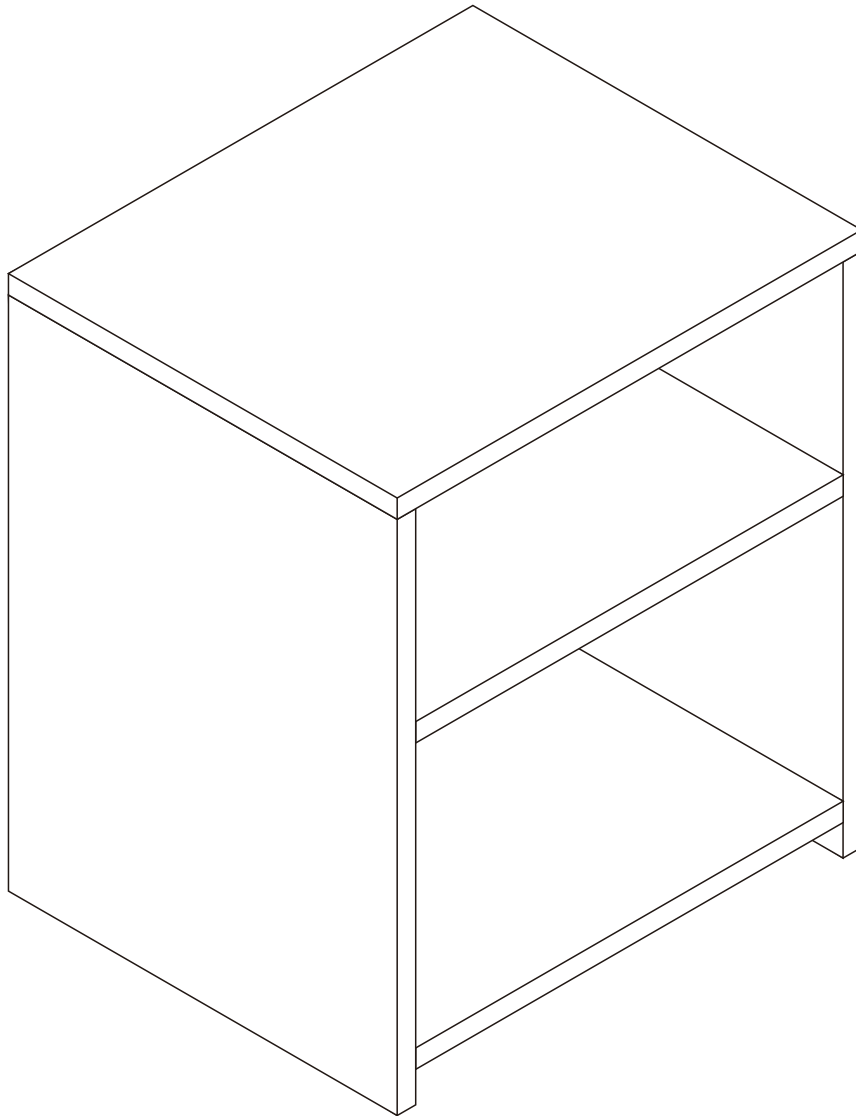





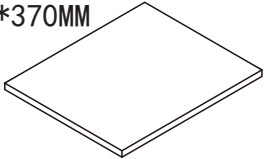

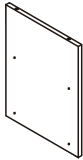
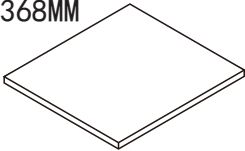


# YORK

1417\_102383



1417_102383					
A	 x4	1/1	B	 x4	1/1
F	 x1  x8	1/1	G	 x4	1/1
1	400*370MM  x1	1/1	2	380*370MM  x1	1/1
3	380*370MM  x1	1/1	4	370*368MM  x2	1/1

FR : SAV/INFORMATION /VIDEO/CONTACT

EN: AFTER-SALES SERVICE/INFORMATION/VIDEO/CONTACT

DE : REPARATUR-SERVICE UND ERSATZTEILE /INFORMATIONEN /VIDEO/KONTAKT

ES: SERVICIO POST-VENTA/INFORMACION/VIDEO/CONTACTO

IT: SERVIZIO ASSISTENZA/INFORMAZIONI/VIDEO/CONTATTO

PT: SERVIÇO PÓS-VENDA/INFORMAÇÕES/VIDEO/CONTATO

PL: SERWIS TECHNICZNY/INFORMACJE/WIDEO/KONTAKT

NE: AFTER SALES SERVICE/INFORMATIE/VIDEO/CONTACT

HE: סע רשקתל/ואדיווה/ עדימ/תוריקמו תוריש רחאל

**SAV.HABITATETJARDIN.COM**

