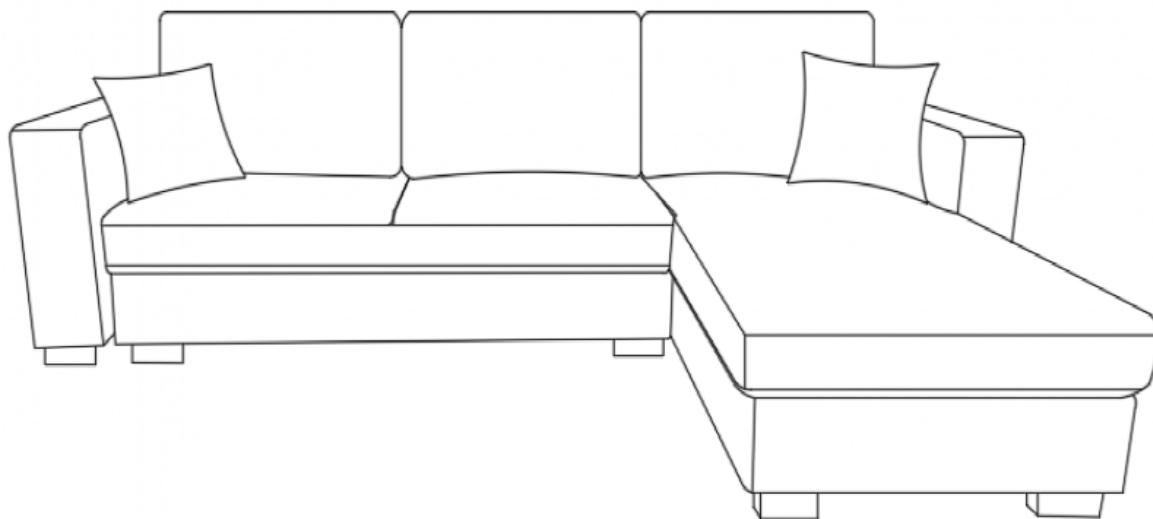
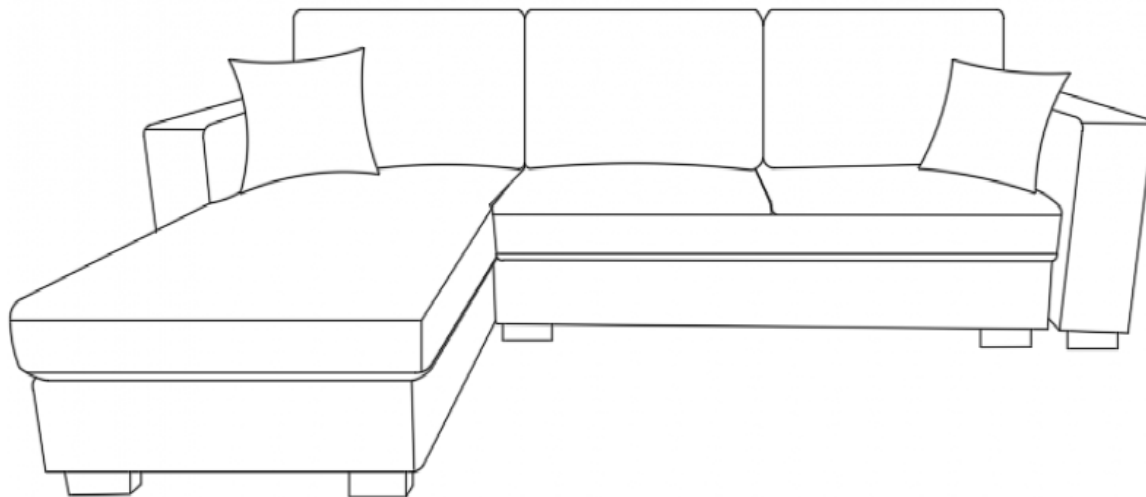

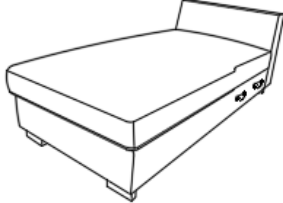

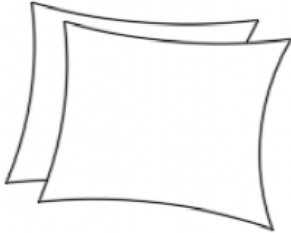
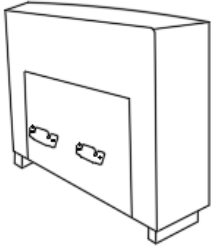
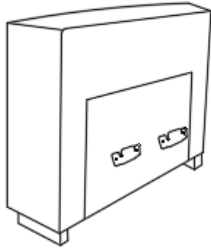
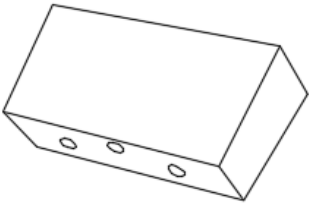


# Lucas


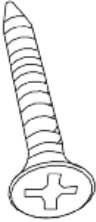
1359\_101318/101319



# 1359\_101318/101319

A		160*83*61CM	*1	1/2
B		168*86.5*61CM	*1	2/2
C		78*51*24CM	*3	1/2&2/2
D		43*43*15.5CM	*2	1/2&2/2
E		79*19*62CM	*1	1/2
F		79*19*62CM	*1	2/2
G		14.5*5*7CM	*8	1/2

## Hardwares List

①		7CM	*1	1/2
②		6CM	*24	1/2

**FR : SAV/INFORMATION /VIDEO/CONTACT**

**EN: AFTER-SALES SERVICE/INFORMATION/VIDEO/CONTACT**

**DE : REPARATUR-SERVICE UND ERSATZTEILE /INFORMATIONEN /VIDEO/KONTAKT**

**ES: SERVICIO POST-VENTA/INFORMACIÓN/VIDEO/CONTACTO**

**IT: SERVIZIO ASSISTENZA/INFORMAZIONI/VIDEO/CONTATTO**

**PT: SERVIÇO PÓS-VENDA/INFORMAÇÕES/VIDEO/CONTATO**

**PL: SERWIS TECHNICZNY/INFORMACJE/WIDEO/KONTAKT**

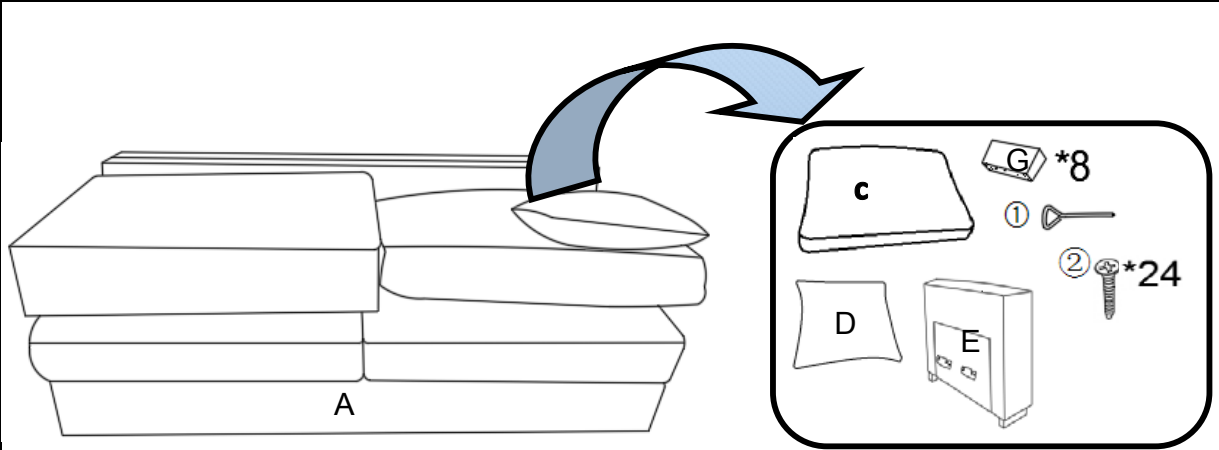
**NE: AFTER SALES SERVICE/INFORMATIE/VIDEO/CONTACT**

**HE: םע רשקתל/וואדיווה / עדימ/ תוריקמו תוריש רחאל**

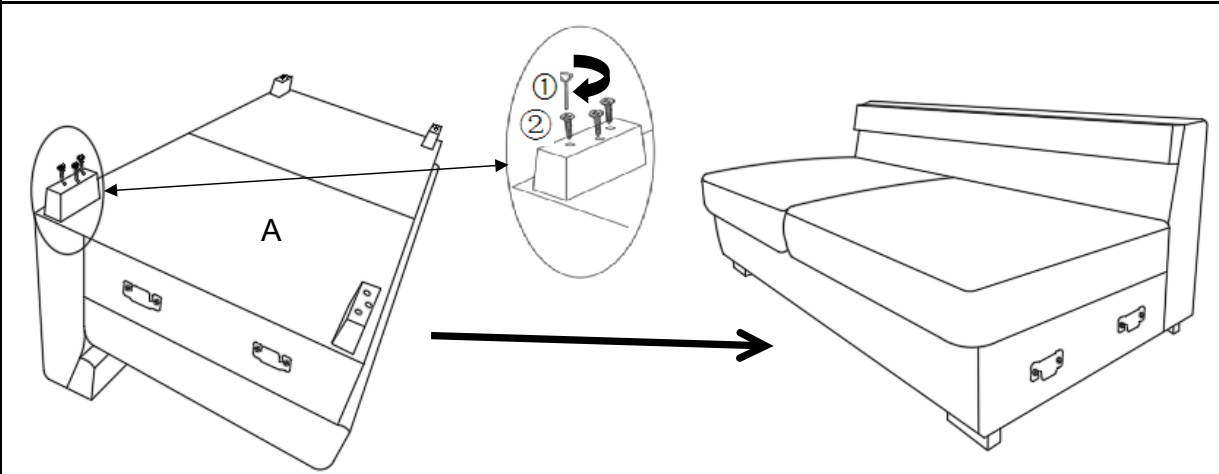
SAV.HABITATETJARDIN.COM

# Assembly Steps

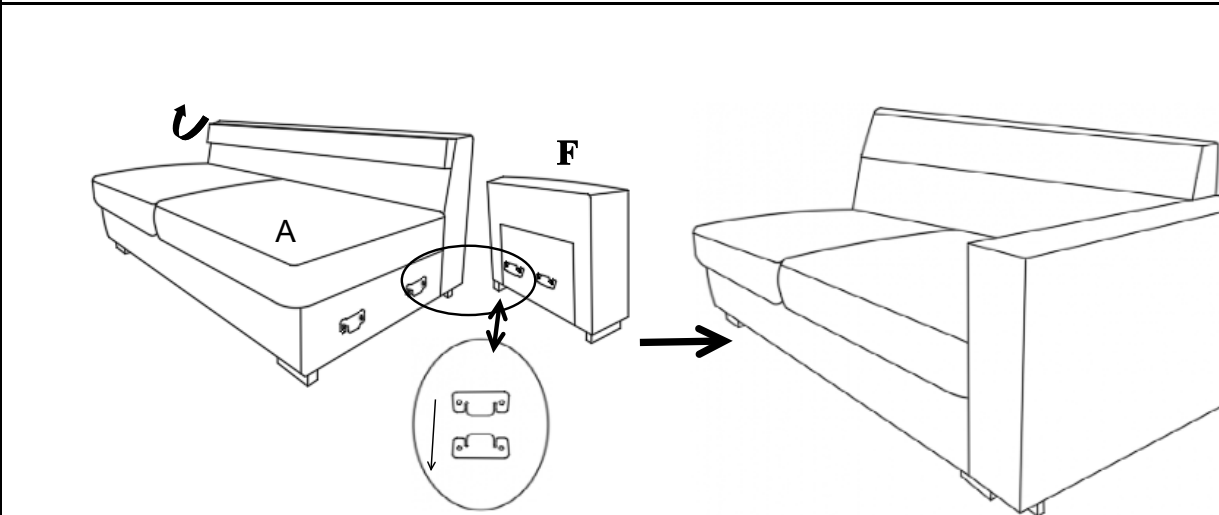
## Step 1



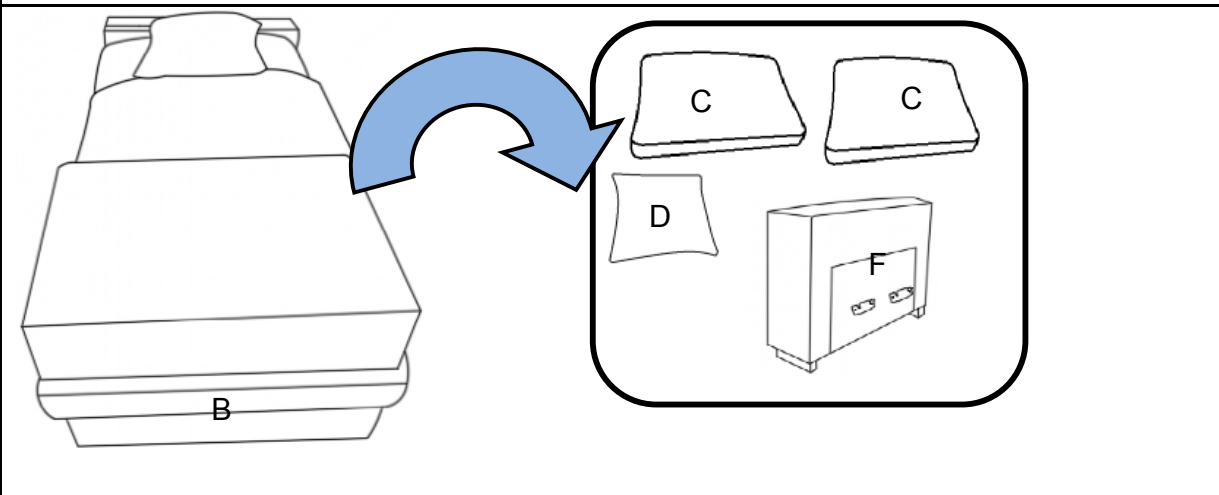
## Step 2



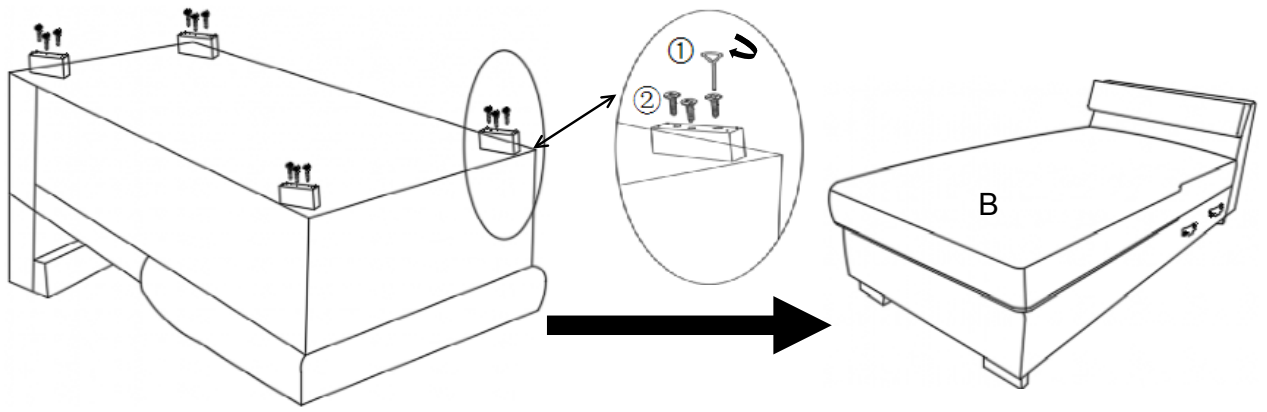
## Step 3



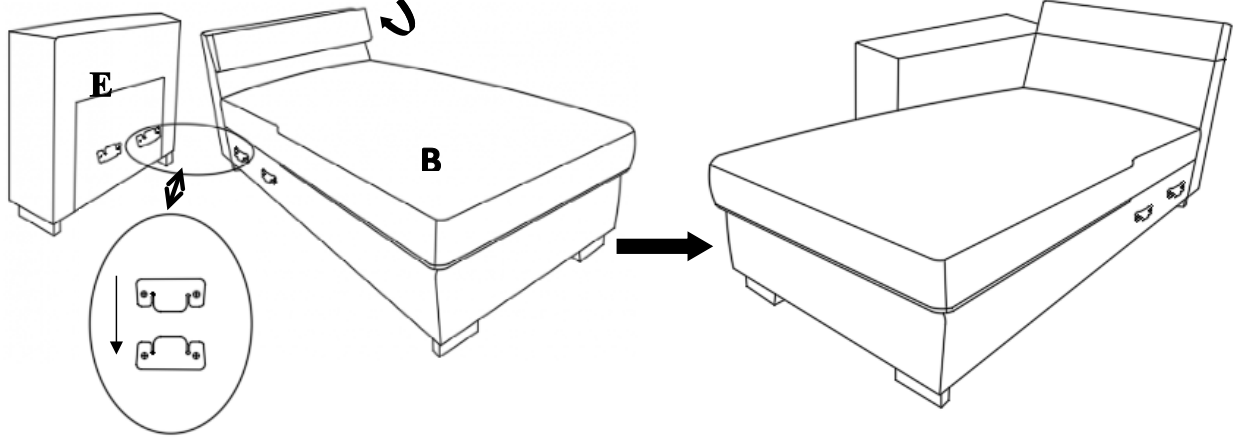
## Step 4



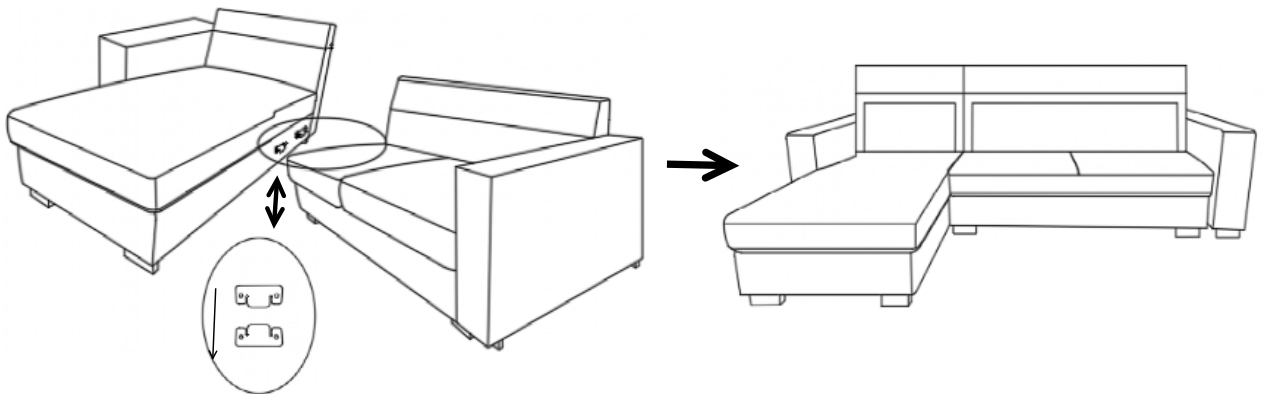
Step 5



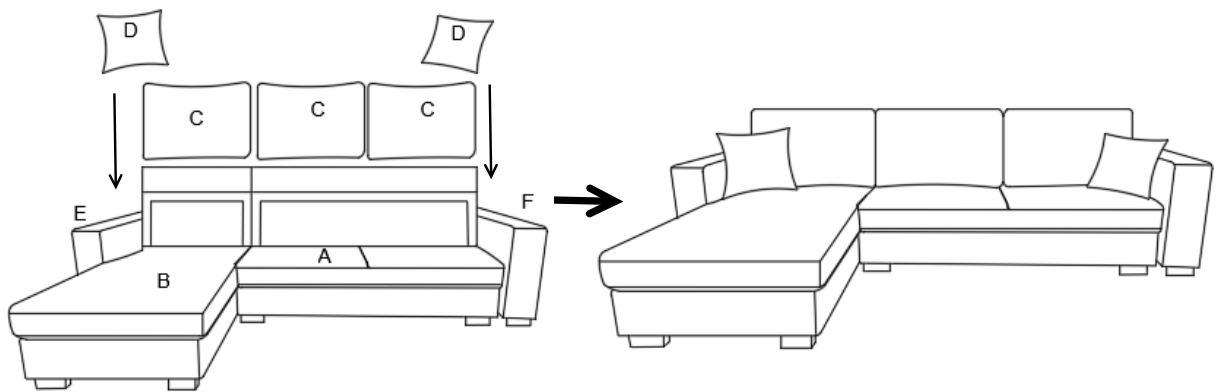
Step 6



Step 7



Step 8



Step 9

