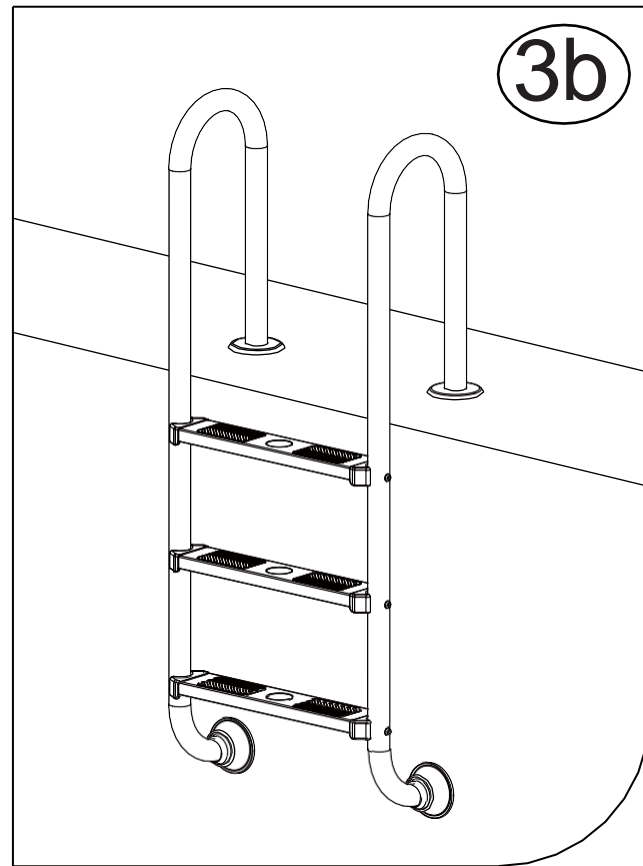
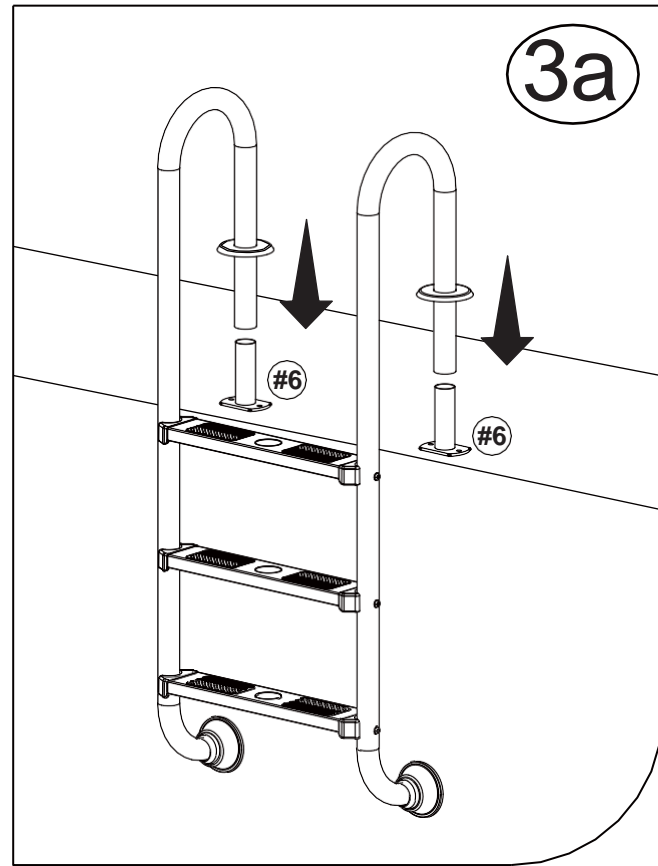
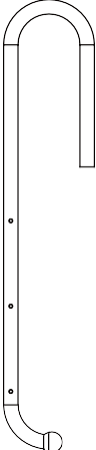
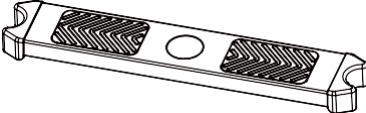



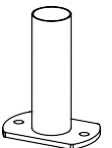



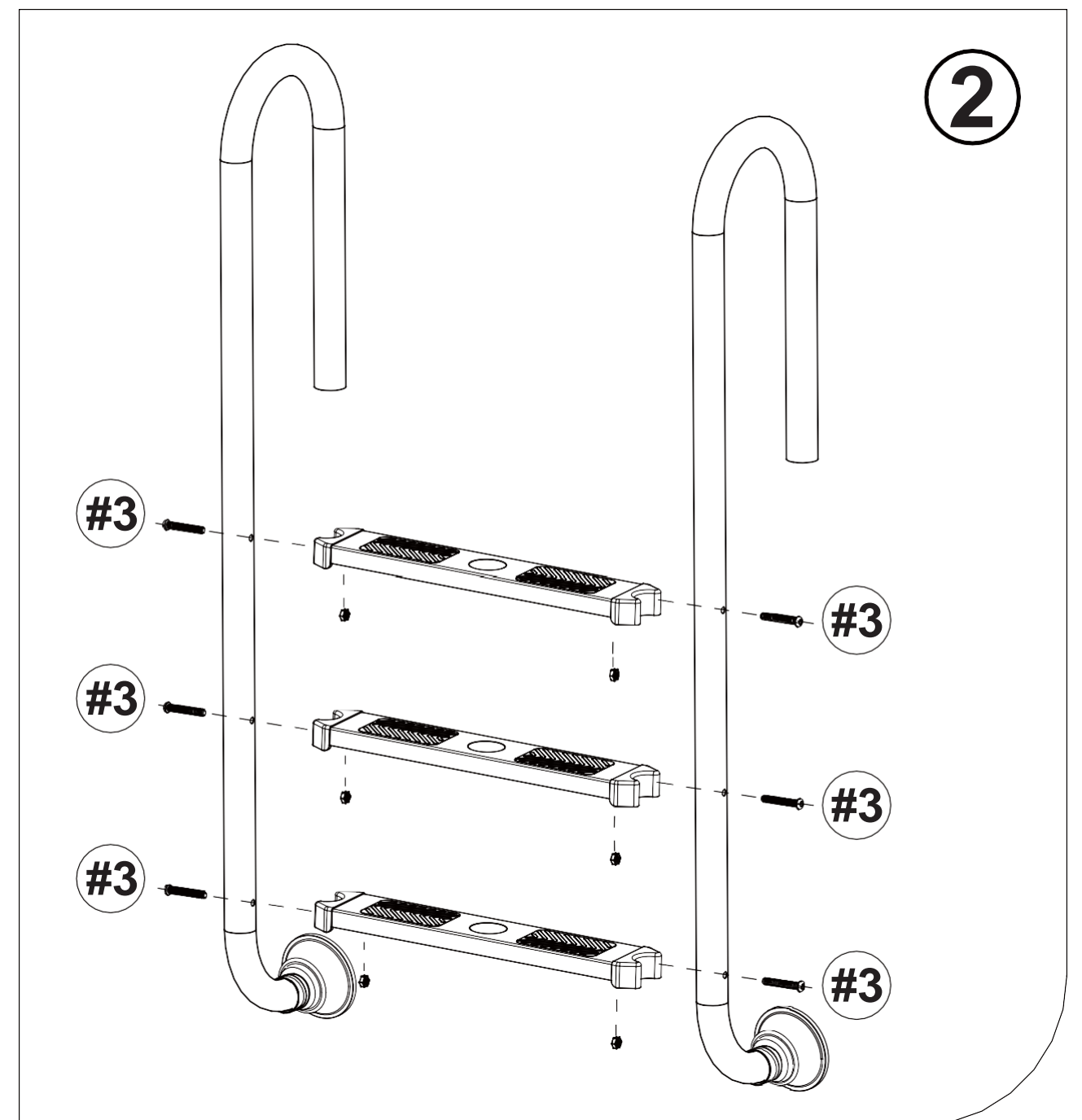
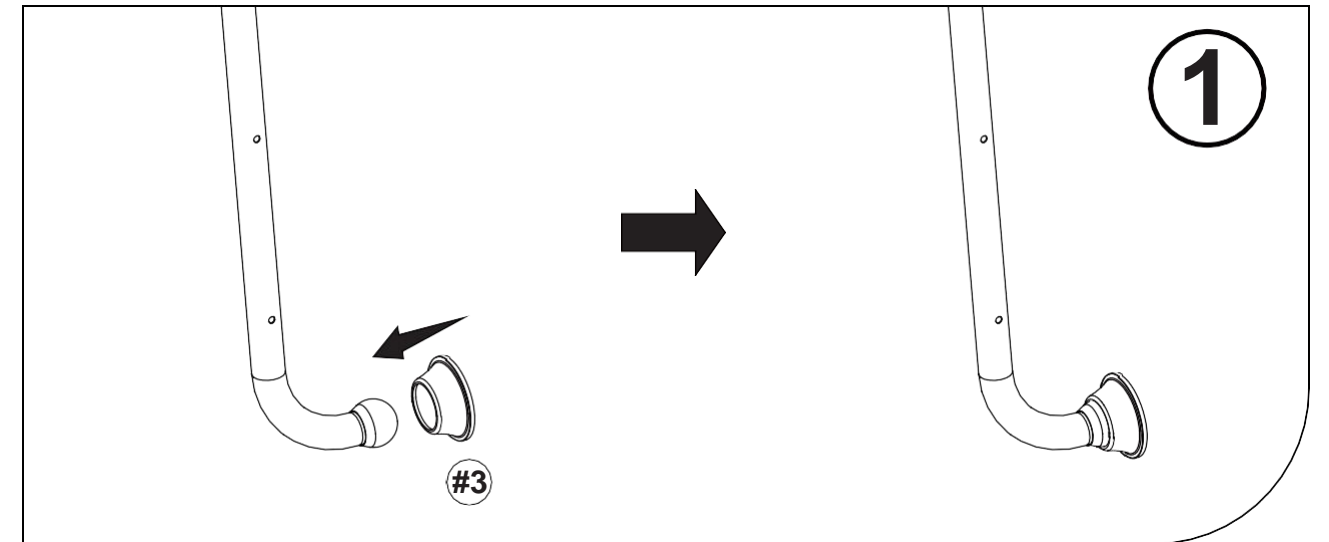
Echelle

1352_86894



INSTRUCTIONS FOR THE ASSEMBLY AND INSTALLATION OF LADDERS

1352-86894				
#1			X 2	1/1
#2			X 3	1/1
#3		M8X70mm	X 6	1/1
#4			X 1	1/1
#5			X 2	1/1
#6			X 2	1/1
#7			X 2	1/1



FR : SAV/INFORMATION /VIDEO/CONTACT
 EN : AFTER-SALES SERVICE/INFORMATION/VIDEO/CONTACT
 DE : REPARATUR-SERVICE UND ERSATZTEILE /INFORMATIONEN /VIDEO/KONTAKT
 ES : SERVICIO POST-VENTA/INFORMACIÓN/VIDEO/CONTACTO
 IT : SERVIZIO ASSISTENZA/INFORMAZIONI/VIDEO/CONTATTO
 PT : SERVIÇO PÓS-VENDA/INFORMAÇÕES/VIDEO/CONTATO
 PL : SERWIS TECHNICZNY/INFORMACJE/VIDEO/KONTAKT
 NE : AFTER SALES SERVICE/INFORMATIE/VIDEO/CONTACT
 HE : שירות לקוחות/מידע/וידאו/צילום/תחזוקה

SAV.HABITATETJARDIN.COM