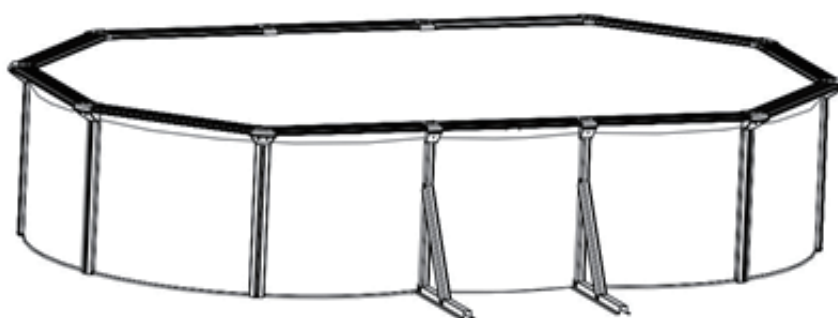
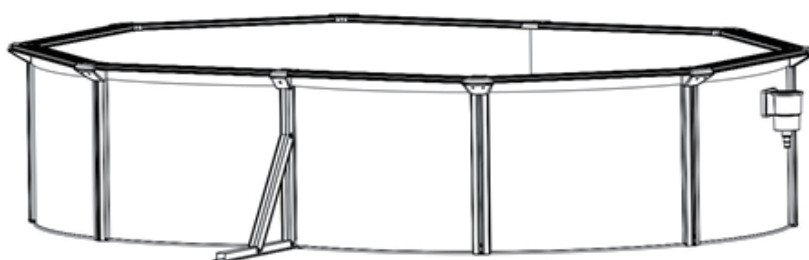


# Caracas

- 1298\_69125

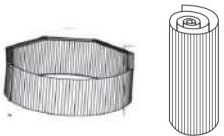
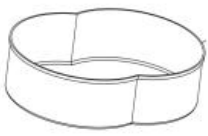



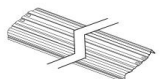


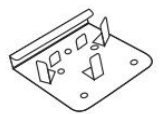
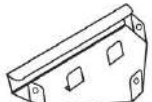
- 1298\_80748







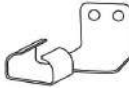

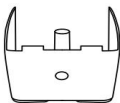


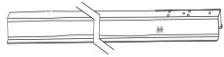
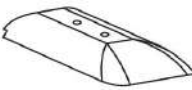
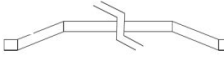

2021 - 2022

1298\_69125












1298\_80748

Reference No.	Drawing	Description & Size	Quantity		
			1298_691	1298_807	
22001001-4		Pool Wall H 1200mm	x 1		1/1
22001001-5		Pool Wall H 1200mm		X 1	1/1
22001003-4		Pool Liner 4870X3560X1300 mm	X 1		1/1
22001003-5		Pool Liner 6070x3560x1300mm		X 1	1/1
22001004-4		Ground Sheet 3628x4929mm	X 1		1/1
22001004-5		Ground Sheet 3720x6240mm		X 1	1/1
22001005-4		Pool Cover 5570x4720mm	X 1		1/1
22001005-5		Pool Cover 6920x4360mm		X 1	1/1
22001026		Vertical Support H 1192mm	X 8	X 8	1/1
22001024		Top plateform L 1380mm	X 6	X 6	1/1
22001025-A		Top plateform L 1332mm	X 4	X 4	1/1
22001025-B		Top plateform L 1235mm		X 2	1/1
22001016		Plastic Rail 1375mm	X 12	X 12	1/1
22001017-A		Plastic Rail 1300mm	X 8	X 8	1/1
22001017-B		Plastic Rail 1175mm		X 4	1/1
22001018		Rail Connector	X 32	X 32	1/1
22001020		Top metal Piece	X 8	X 8	1/1
22001021		Bottom Metal Piece	X 8	X 8	1/1

# 2021 - 2022

22001027		Upper Joint Protector	X 8	X 8	1/1
22001022		Bottom Joint Protector	X 8	X 8	1/1
22001023		Side Top Metal Piece	X 2	X 4	1/1
22001012		Side Bottom Metal Piece A	X 2	X 4	1/1
22001013		Side Bottom Metal Piece B	X 2	X 4	1/1
22001028		Side Upper Joint Protector	X 2	X 4	1/1
22001015		Side Bottom Joint Protector	X 2	X 4	1/1
22001008		Vertical Side Beam 1187mm	X 2	X 4	1/1
22001009		Angled Side Beam 913mm	X 2	X 4	1/1
22001007		Horizontal Side Beam 1270mm	X 2	X 4	1/1
22001014		Inside Bottom Protector	X 2	X 4	1/1
22001011		PVC sleeve	X 1	X 2	1/1
22001010		Steel Belt	X 1	X 2	1/1

2021 - 2022

22001029		BOLT M6 X 11	X 73	X 89	1/1
22001030		NUT M6	X 57	X 57	1/1
22001031		WASHER M6	X 65	X73	1/1
22001032		Spring Washer M6	X 40	X 48	1/1
22001033		SCREW ST4.3X13	X 36	X 40	1/1
22001034		BOLT M4 X 10	X 54	X 60	1/1
22001035		BOLT M8 X 20	X 20	X 40	1/1
22001036		NUT M8	X 20	X 40	1/1
22001037		SCREW ST6.3 X 19	X 4	X 8	1/1
22001002		IN-WALL SKIMMER	X 1	X 1	1/1
PP815		Soft Hose L 4400mm	X 2	X 2	1/1

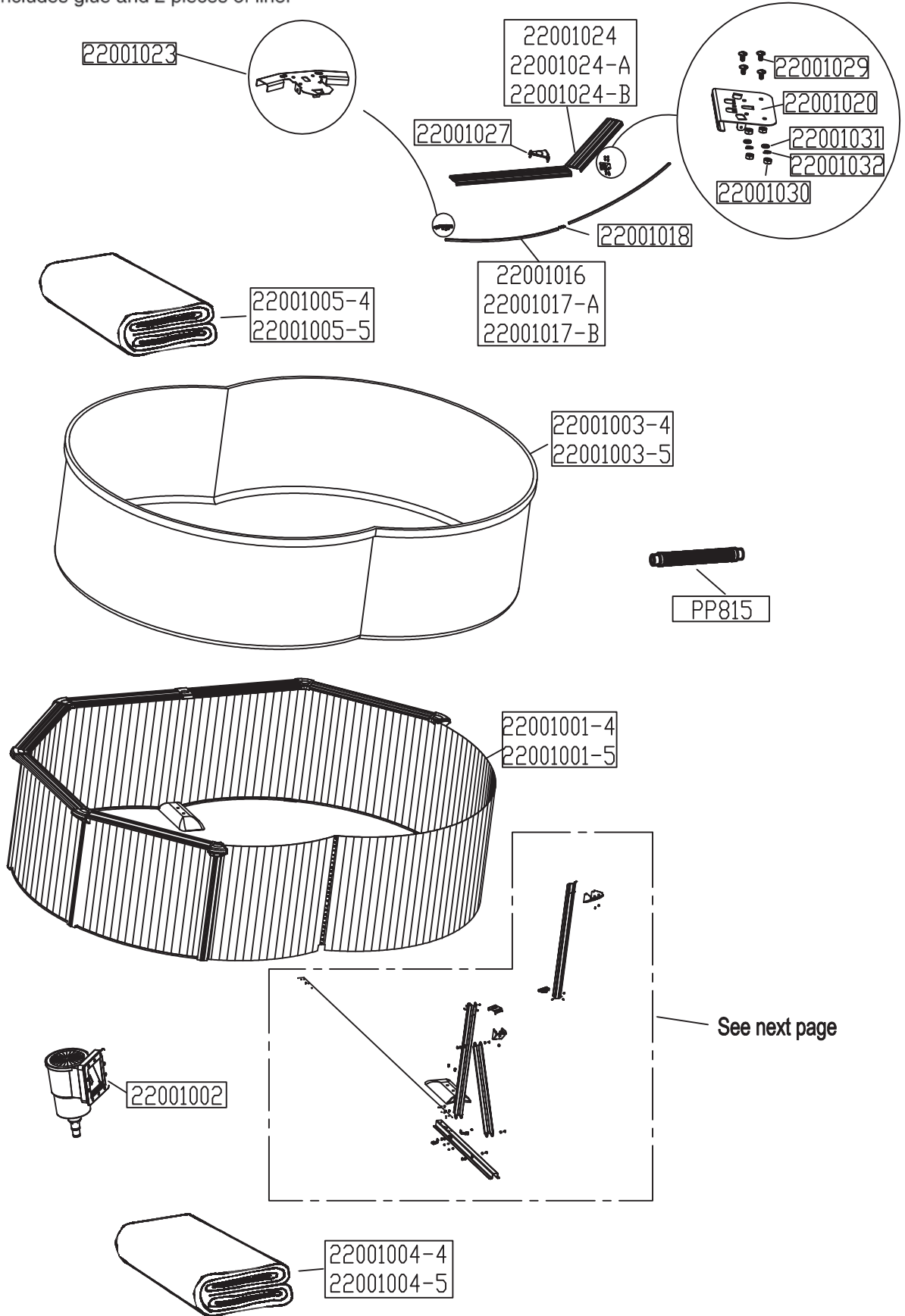
FR : SAV/INFORMATION /VIDEO/CONTACT  
EN: AFTER-SALES SERVICE/INFORMATION/VIDEO/CONTACT  
DE : REPARATUR-SERVICE UND ERSATZTEILE //INFORMATIONEN /VIDEO/KONTAKT  
ES: SERVICIO POST-VENTA/INFORMACIÓN/VIDEO/CONTACTO  
IT: SERVIZIO ASSISTENZA/INFORMAZIONI/VIDEO/CONTATTO  
PT: SERVIÇO PÓS-VENDA/INFORMAÇÕES/VIDEO/CONTATO  
PL: SERWIS TECHNICZNY//INFORMACJE/WIDEO/KONTAKT  
NE: AFTER SALES SERVICE/INFORMATIE/VIDEO/CONTACT  
HE: עם לתקשר/הווידיאו/ מידע/ומכירת שירות לאחר

**SAV.HABITATETJARDIN.COM**

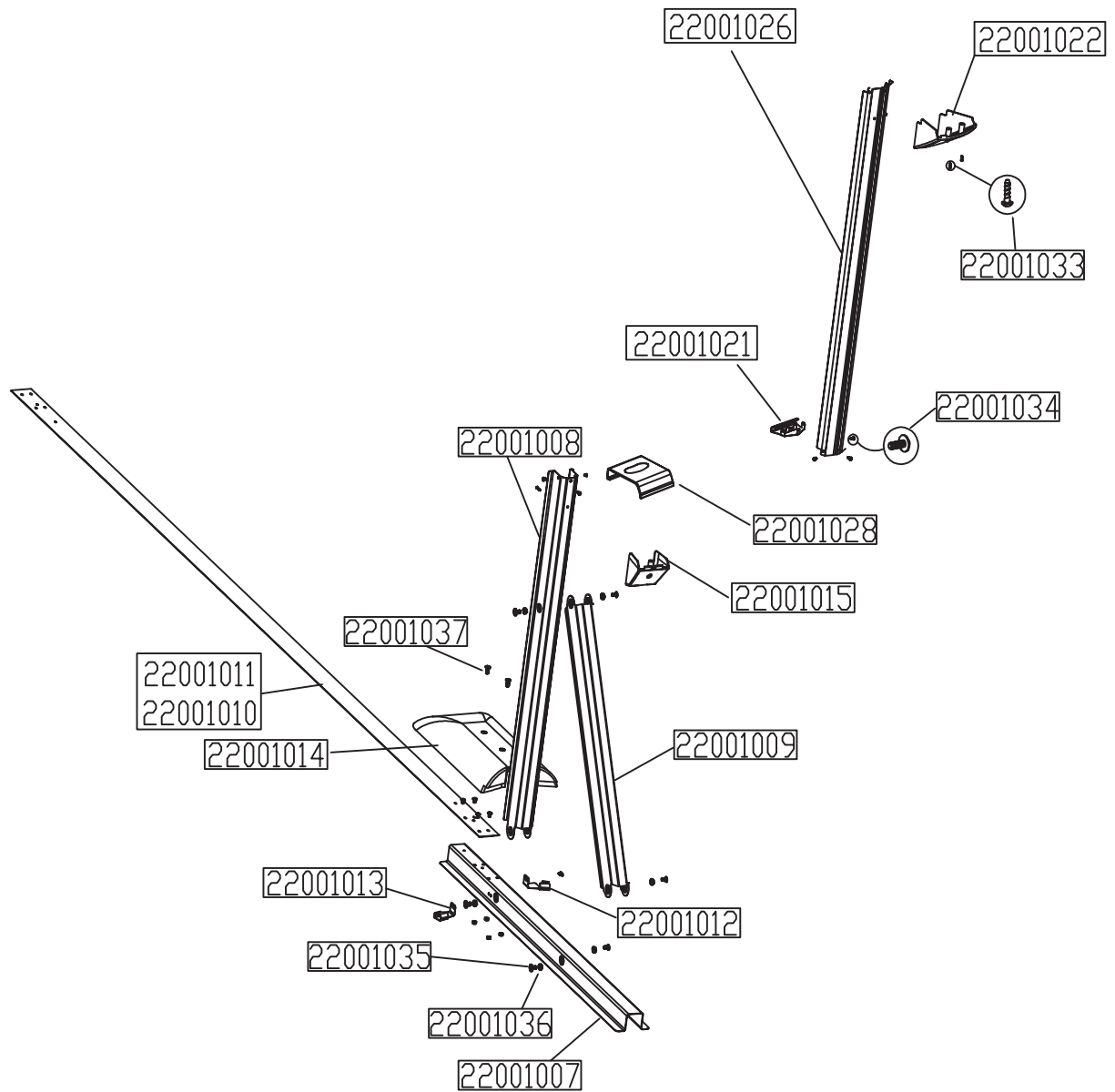
**2021 - 2022**



Ground sheet included and obligatory  
Repair kit includes glue and 2 pieces of liner



2021 - 2022



2021 - 2022



# WARNING!

To lessen your risk of serious injury or death, follow these rules:

## IMPORTANT SAFETY INSTRUCTIONS

The following instructions contain important safety information, we strongly encourage you to read these important safety instructions and abide by them when using the Premium Metal Wall Pool. When installing and using this electrical equipment, basic safety precautions should always be followed, This includes the following.



## WARNING!

**CHILDREN HAVE DROWNED IN PORTABLE SWIMMING POOLS. ENSURE ACTIVE ADULT SUPERVISION AT ALL TIMES. DO NOT LEAVE CHILDREN UNSUPERVISED IN OR AROUND**

**THE POOL – KEEP THEM WITHIN ARMS’ REACH. POOL FENCING LAWS APPLY TO THIS POOL. CONSULT YOUR LOCAL GOVERNMENT AUTHORITY FOR FENCING REQUIREMENTS.**


### READ AND FOLLOW ALL INSTRUCTIONS.

- NOTE -** Please examine equipment before use. If there are any damaged or missing parts at the time of purchase, do not assemble or operate until parts are replaced .
- WARNING -** Consult your local council, state government or water authority in regards to the use of water and / or water restrictions relating to this product.
- WARNING -** Pool fencing laws affect this product, consult your local council and state government. Abide by state and federal law requirements such as fencing, enclosures, childproof gates, etc.
- WARNING -** Water attracts children; Always remove pool ladder when not in use. Store in a place not accessible to children.
- DANGER -** Prevent the Risk of Accidental Drowning. Extreme caution must be exercised to prevent unauthorized access by children. To avoid accidents, ensure that children can not use the Pool unless they are supervised by an adult at all times.  
**NEVER LEAVE CHILDREN UNATTENDED.**
- WARNING - RISK OF ELECTRIC SHOCK.** Connect Filter Pump only to a grounding type receptacle protected by an RCD (Residual Current Device). Use a qualified electrician to install the RCD, which has a maximum rate of 30mA.
- WARNING -** Know where the cut-off switch for your pump is at all times, so you can turn it off in an emergency. It is necessary to have the RCD (Residual Current Device) Cut-Off Switch plug accessible after installation of the Pool.
- WARNING -** Never use an extension cord to connect the filter pump to a power source. Doing so could cause damage to the filter pump system.

2021 - 2022

# **WARNING!**

To lessen your risk of serious injury or death, follow these rules:

- WARNING** - To avoid electrocution, do not permit electric devices i.e. light, telephone, radio, television, hair dryer, etc within 2.5 Metres of this Pool.
- WARNING** - **RISK OF ELECTRIC SHOCK.** Never operate any electrical appliance when in the Pool or when your body is wet.
- WARNING** - To reduce the risk of injury or hazard, have any damaged cord replaced immediately by the manufacturer, its service agent, or similarly qualified persons.
- WARNING** - Do not bury electric cord. Avoid using lawn mowers, hedge trimmers and other garden equipment near or around the Metal Wall Pool and electrical cord.
- WARNING** - **NEVER** swim or bathe in the Pool during rain or an electrical storm or if there is a threat of lightning in the vicinity of the Pool.
- WARNING** - **NEVER** allow horseplay, diving or jumping into or around the Metal Wall Pool. Never enter the Pool via any decks or other raised surfaces; the water level of the Pool is shallow. Serious injury, paralysis or death could result.
- CAUTION** - It is advisable to wear protective gloves when assembling pool 



**NO DIVING**



**NO JUMPING**



**NO SLOPING GROUND**



**USE ONLY UNDER  
COMPETENT SUPERVISION**

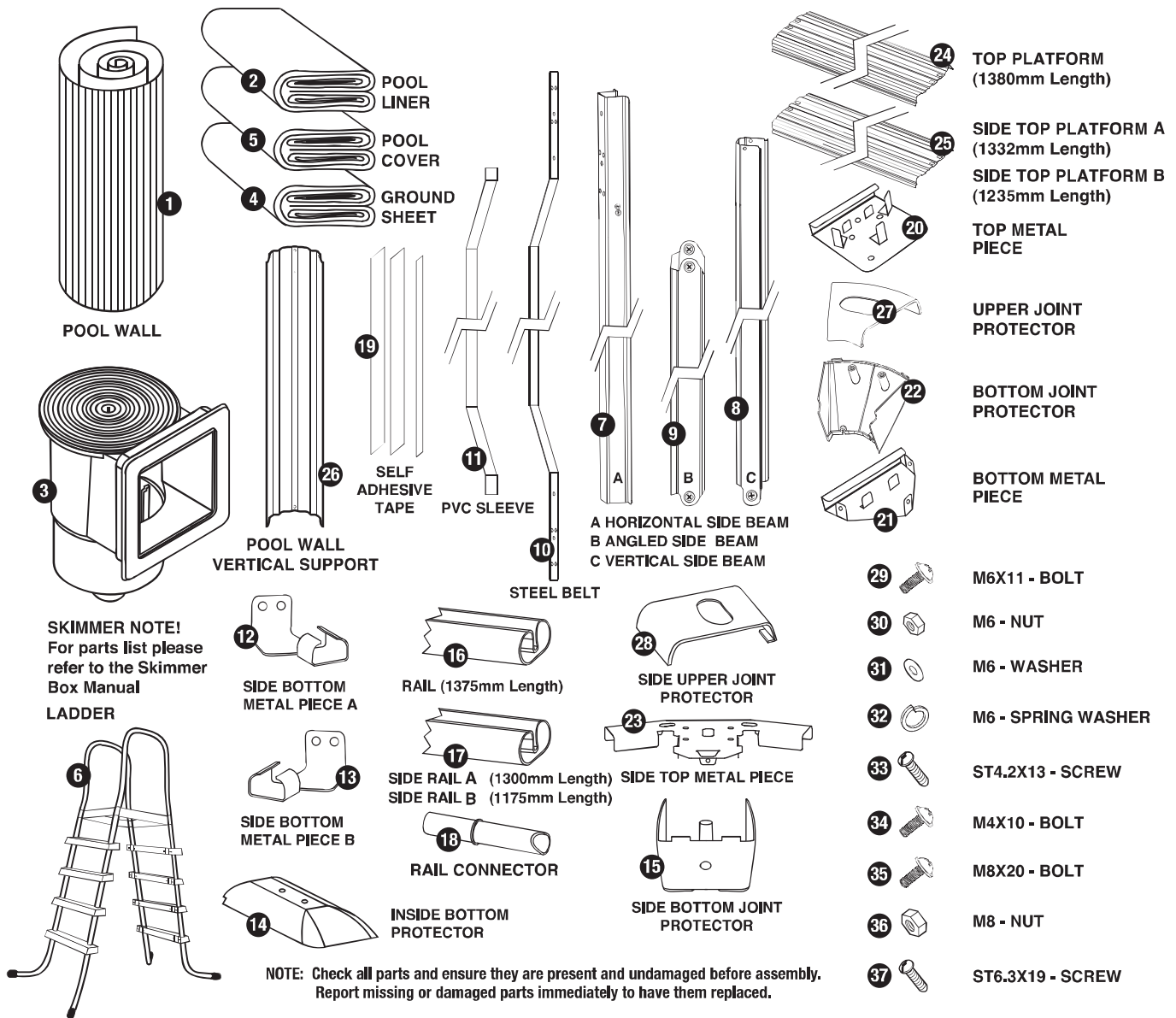
SAVE THESE INSTRUCTIONS

**2021 - 2022**

# Product Contents

Ground sheet included and obligatory

Repair kit includes glue and 2 pieces of liner



## Selecting a Suitable Site

Carefully select the site for your new pool. This is the most important decision you will have to make to ensure the safety and success of your pools construction. An incorrect site could cause problems in the future that may cause injury, death or financial loss. Read carefully the check list set out below when selecting your site.

### Acceptable:

Flat, level, firm and dry ground with easy access to all sides of the pool exposed to direct sunlight, preferably in the morning. Safe access to electricity for running the filter pump and other pool accessories. Access to mains water source. Protection from wind.

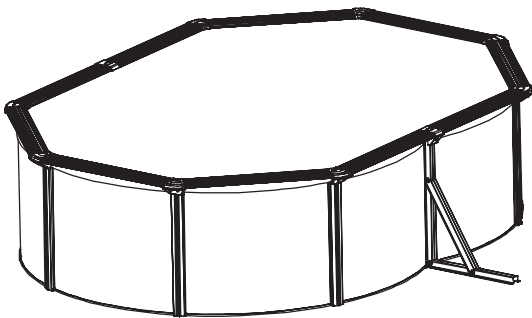
### Tools Required:

- Phillips head screw driver.
- Small Shifter
- Clothes Pegs
- Spirit Level
- Sharp Knife
- Site excavation tools
- Protective Gloves

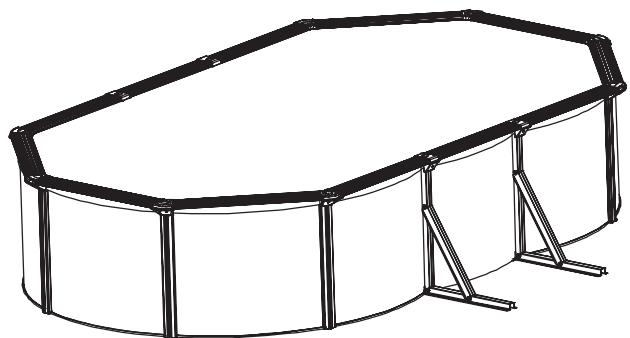
### Not acceptable:

- Sloping ground.
- Concrete, Asphalt, Sandy Gravel and Swampy ground.
- Close to wooden construction e.g. Pergola's and decking.
- Next to deciduous or leafy trees.
- Over-head wires and clothes line.
- Drains, electric wires or gas pipelines underneath the site.
- Poor or little drainage or high flood risk locations.
- High wind conditions.

# 2021 - 2022



1298\_69125  
4.9×3.6×1.2m(16'×12'×48'')



1298\_80748  
6.1×3.6×1.2m(20'×12'×48'')

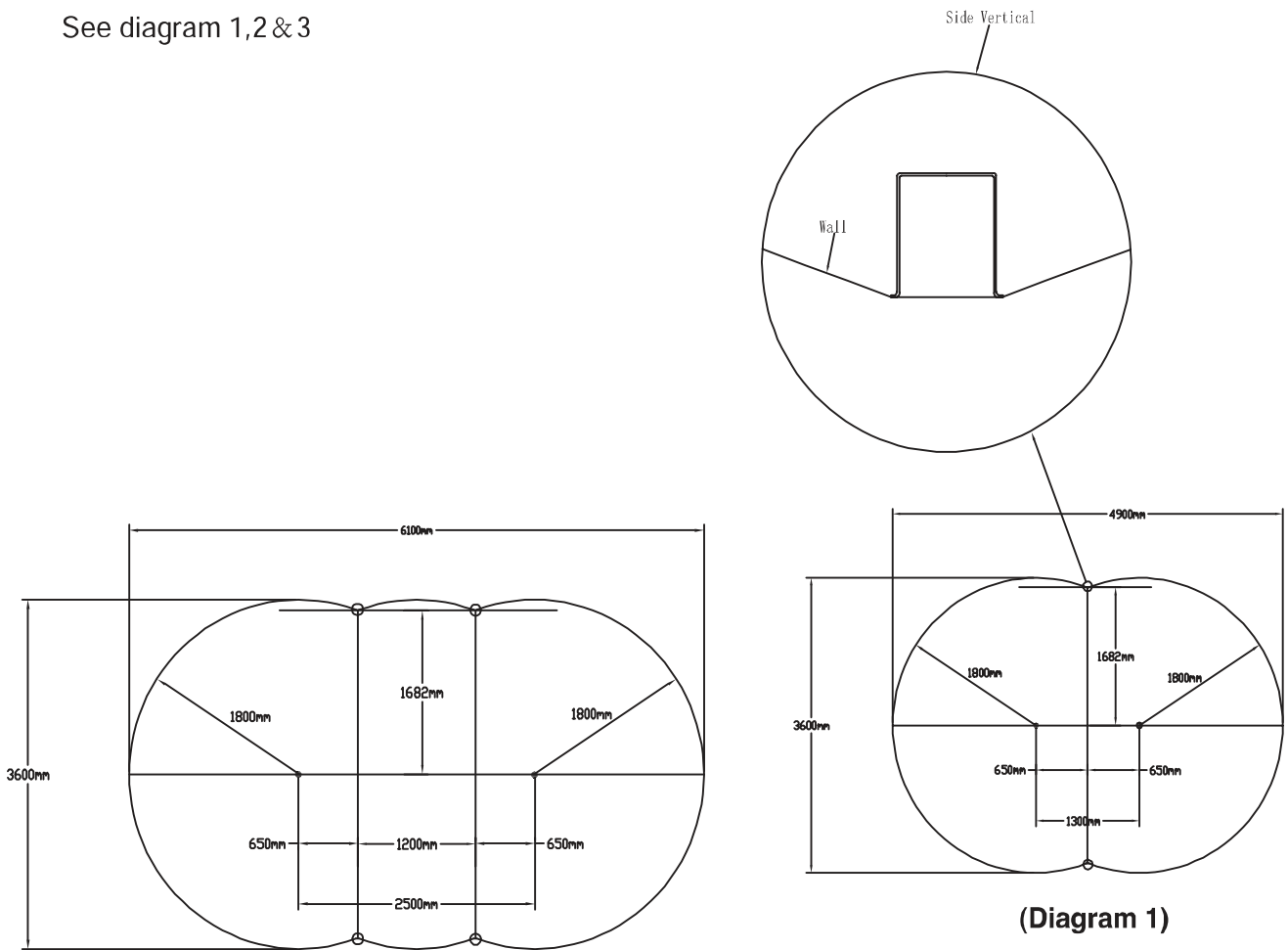
2021 - 2022

# Pool Setup

## MARKING THE SITE

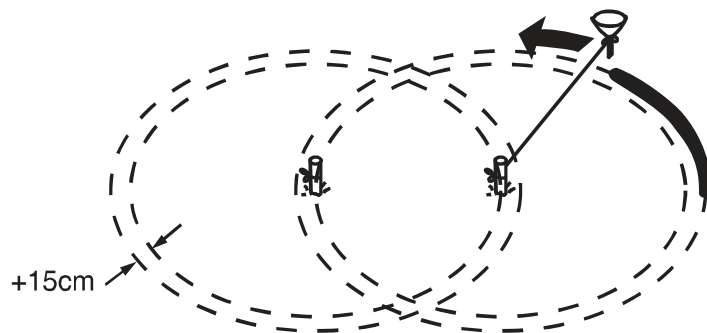
1. Mark the centre of the site and drive a stake or screw driver into the soil.
2. Tie a piece of string onto the stick. At the other end of the string, tie a funnel. The distance between the stick and the funnel should be 15cm more than the radius of the pool
3. Place flour, chalk dust or lime into the funnel and draw a circle around the stake. If the smallest diameter is 360cm, then the 2 circles should be 390cm in diameter.

See diagram 1,2 & 3



(Diagram 2)

(Diagram 1)



(Diagram 3)

## Levelling the Area

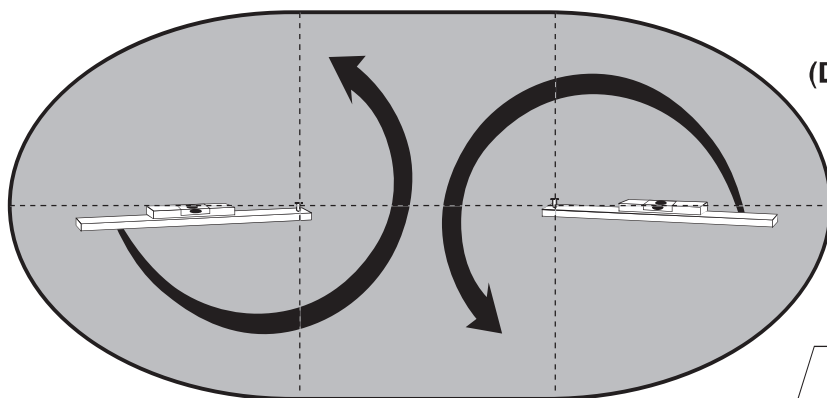
**Warning! Levelling is extremely important:** take as much time as possible to work out a site that is completely firm and levelled.

Use a carpenter's level and straight edge to ensure that the site is completely level, flat and firm! **(See diagram 4)** The pool contains a huge amount of water and thousands of kilos of weight. Should the pool collapse due to unlevelled ground, it could cause a lot of damage to property and even human injury or death!

Remove the higher ground rather than filling the low laying ground **(see diagram 5)**

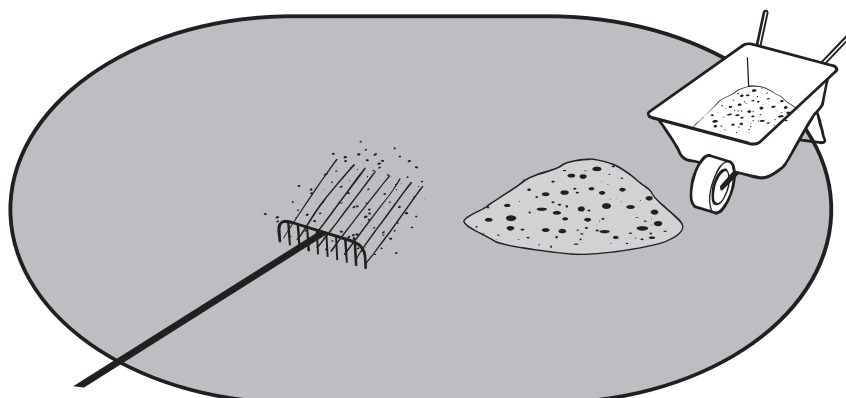
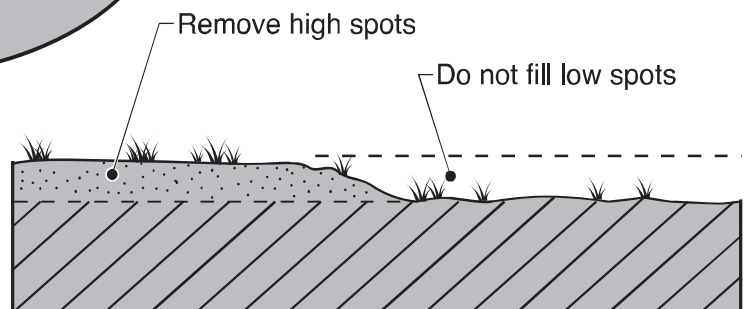
Attention! Always remove grass and stones within the circle.

Use the ground cover provided to ensure that the grass doesn't penetrate the pool liner and cause damage.



(Diagram 4)

(Diagram 5)



(Diagram 6)

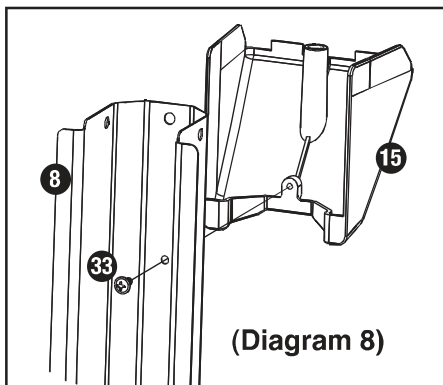
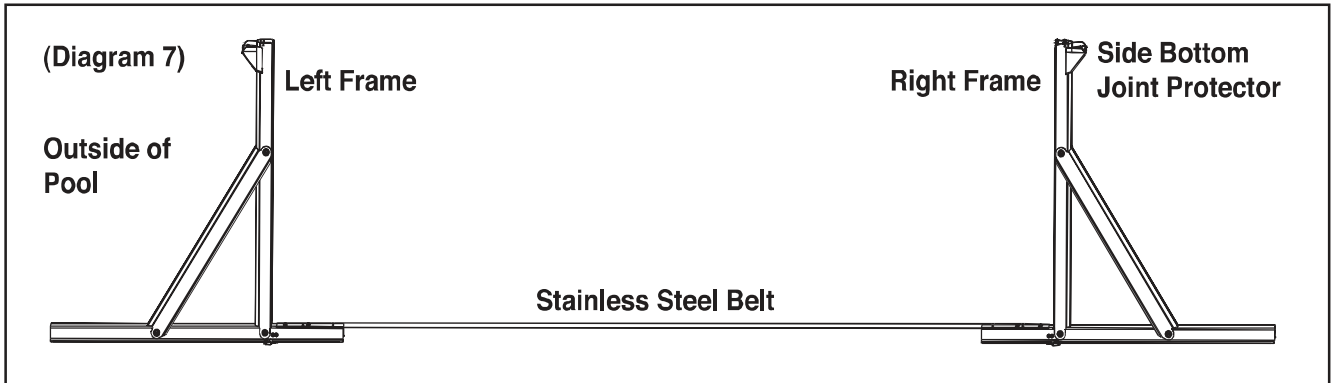


# Pool Wall Side Frame Support Assembly

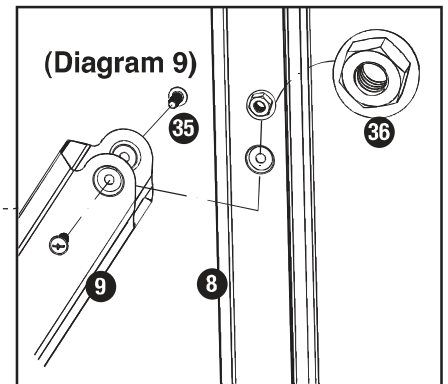
Tapis de sol inclus et obligatoire

Kit de réparation pour liner inclus, composé d'une colle et de 2 pièces de revêtement

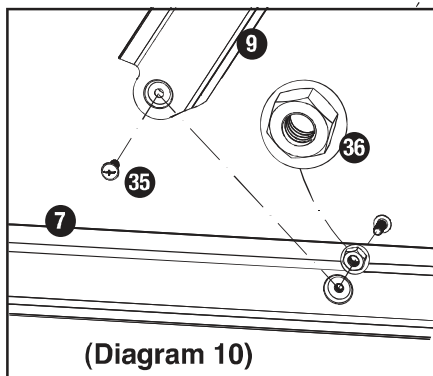
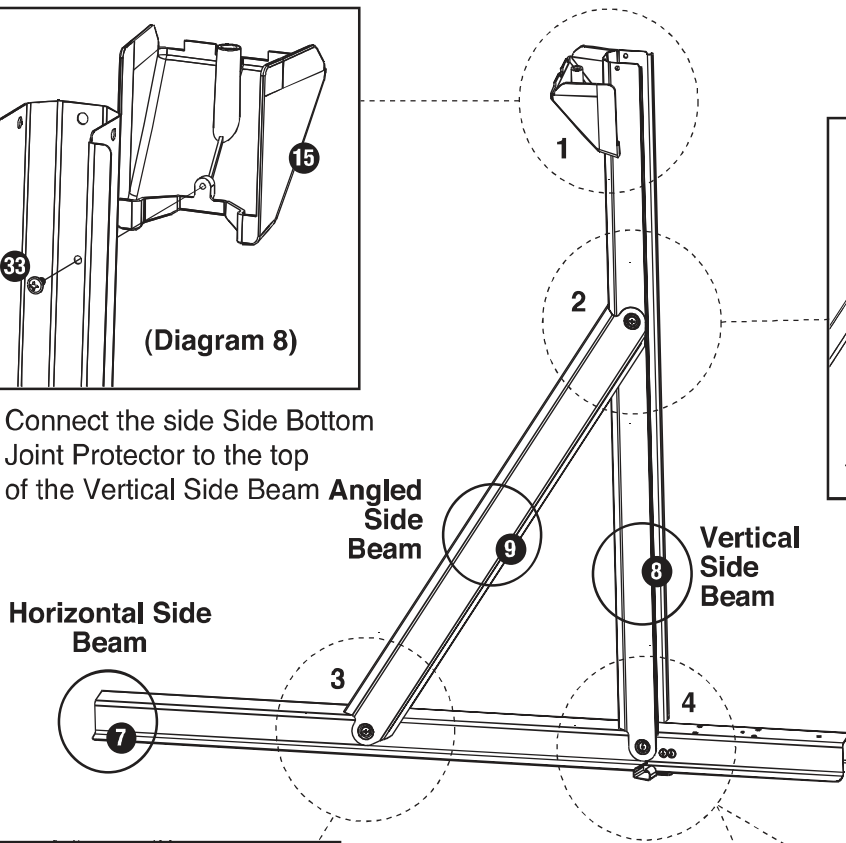
The Pool Wall Side Frame Support consists of a left and right frame connected by a stainless steel belt. (See diagram 7)



1. Connect the side Side Bottom Joint Protector to the top of the Vertical Side Beam

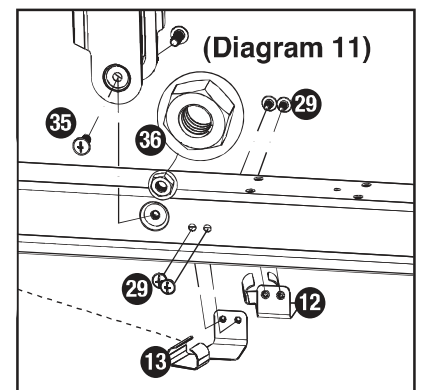


2. Connect the Angled Side Beam to the Vertical Side Beam



3. Connect the lower end of the Angled Side Beam to the Horizontal Side Beam

Connect both Side Bottom Metal Piece A and B to the Horizontal Side Beam

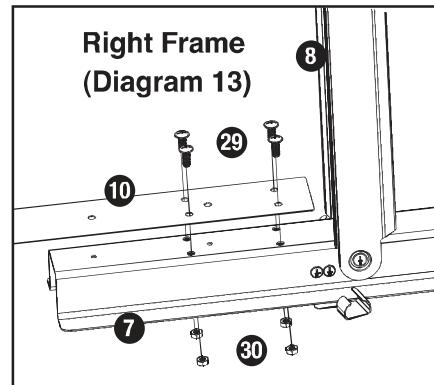
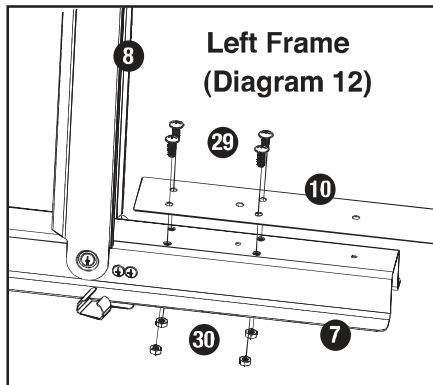


4. Connect the lower end of the Vertical Side Beam to the Horizontal Side Beam

2021 - 2022

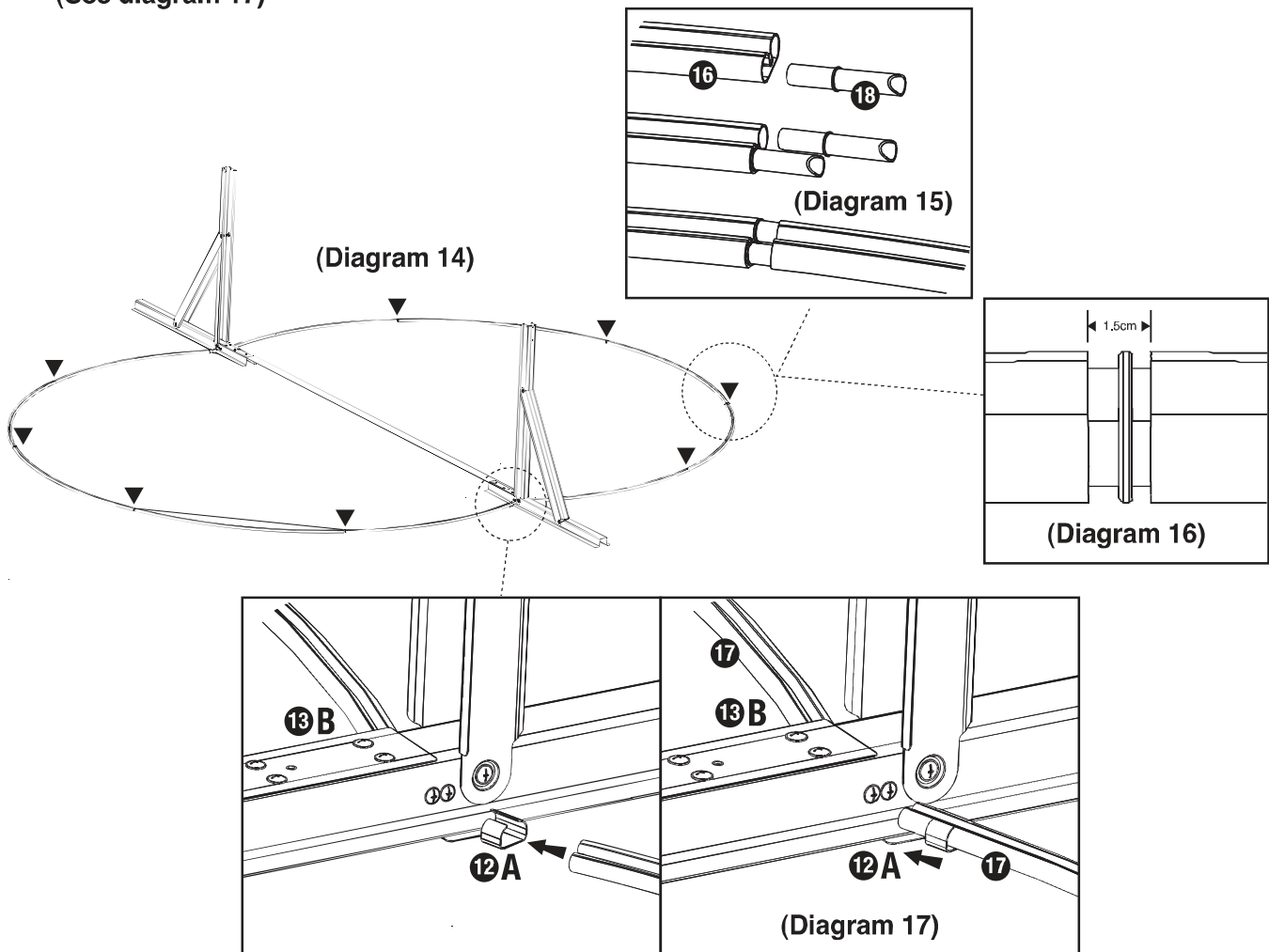
## POOL WALL SIDE FRAME SUPPORT ASSEMBLY

1. Connect the Steel Belt to either end of the Left and Right Side Pool Frames. (See diagram 12 and 13)  
**Make sure the Steel Belt is protected by the PVC Sleeve which is provided in the package. This will protect the Pool Liner from damage.**



## POOL WALL RAIL AND RAIL CONNECTOR SETUP

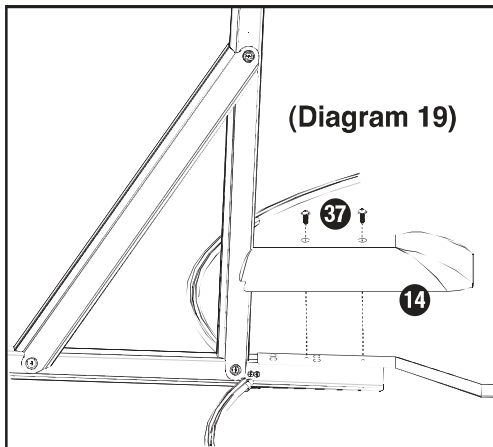
1. Position the Left and Right Side Wall Frame in the middle of the prepared area (See diagram 14)
2. Place the Rails around the area where the pool wall is to be installed. (See diagram 14)
3. Connect the Rails together using 2 Rail Connectors per Rail (See diagram 15) and leave a 1.5cm gap between each connection (See diagram 16).
4. Connect the Side Rails to the Side Bottom Metal Piece A and B either side of the Pool Wall Frame Supports (See diagram 17)



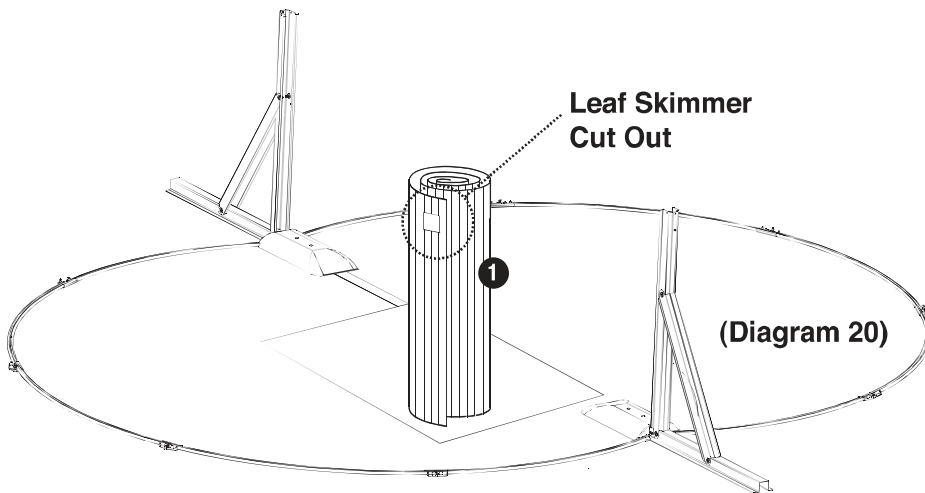
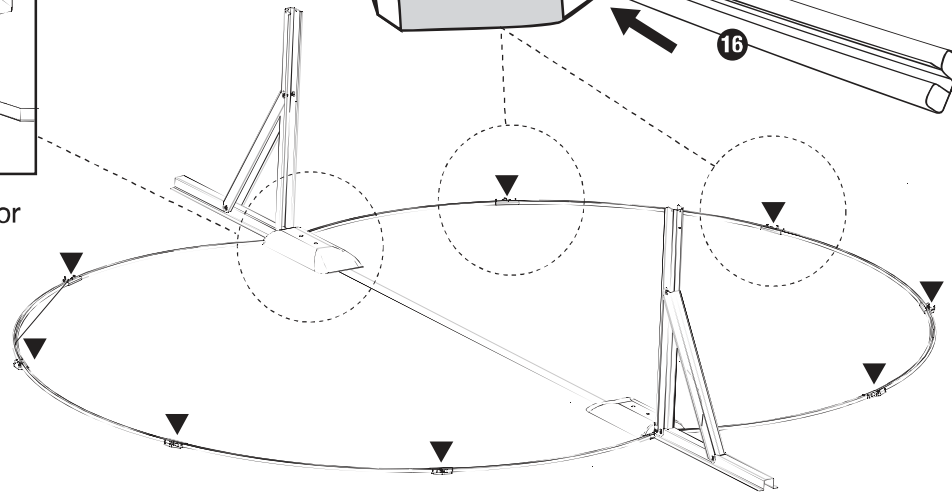
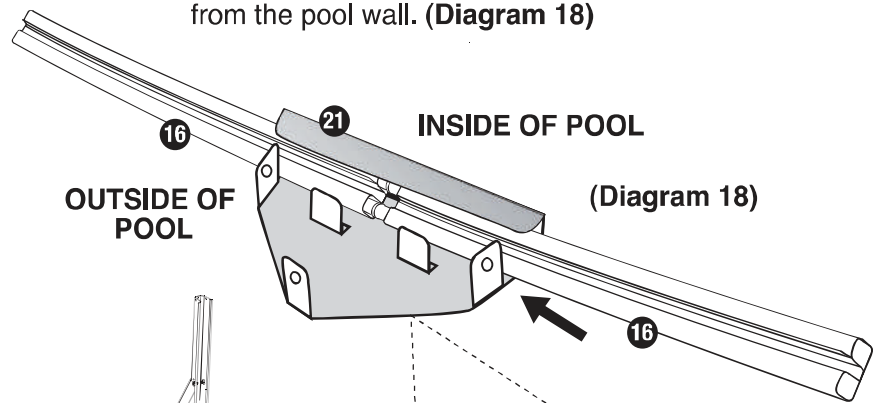
2021 - 2022


# Product Assembly

5. Place the Bottom Metal Piece's between the joins of the Rails with the triangular end pointing out from the pool wall. **(Diagram 18)**



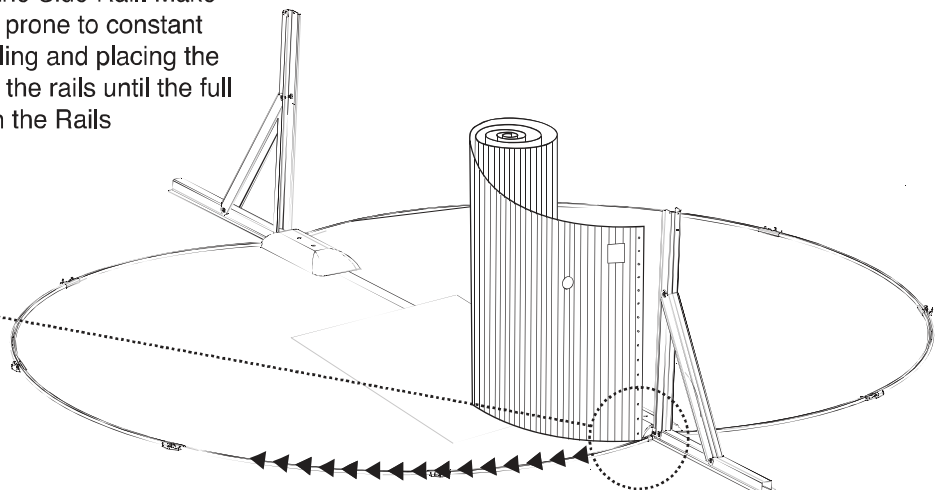
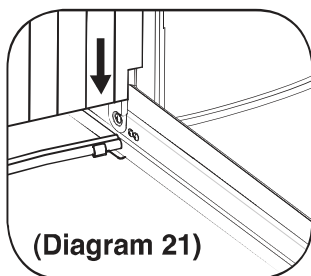
6. Place the Inside Bottom Protector over the Steel Belt and screw into the Horizontal Side Beam. **NOTE:** Ensure the PVC Sleeve covers the Steel Belt to prevent damage or rust effecting the pool. **(Diagram 19)**



 **CAUTION:** Wear protective gloves when handling the metal wall

7. Place the Metal Pool Wall with the Skimmer Hole at the top, onto a piece of cardboard, ply wood or ground cloth to protect the leveled ground during installation. **NOTE:** Position the Pool Wall's Skimmer cutout in the same location to where your electricity supply will be to power the filtration system. **(Diagram 20)**

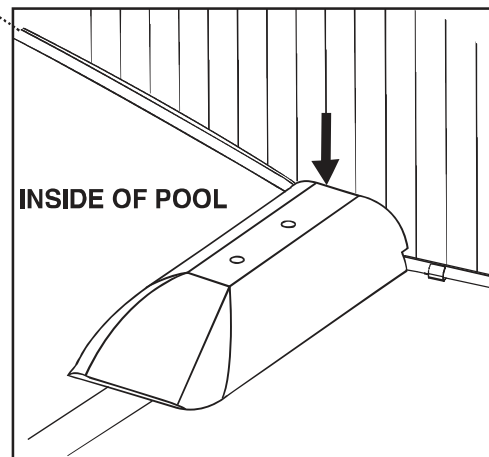
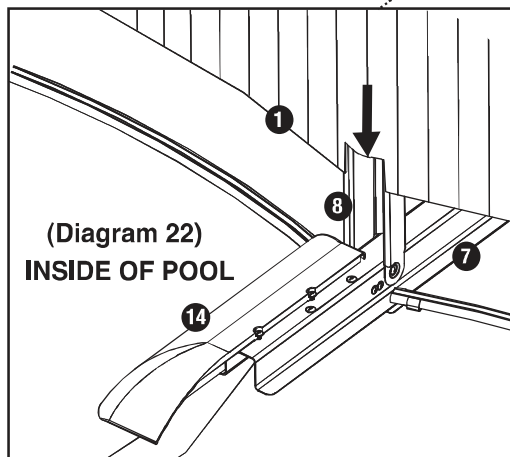
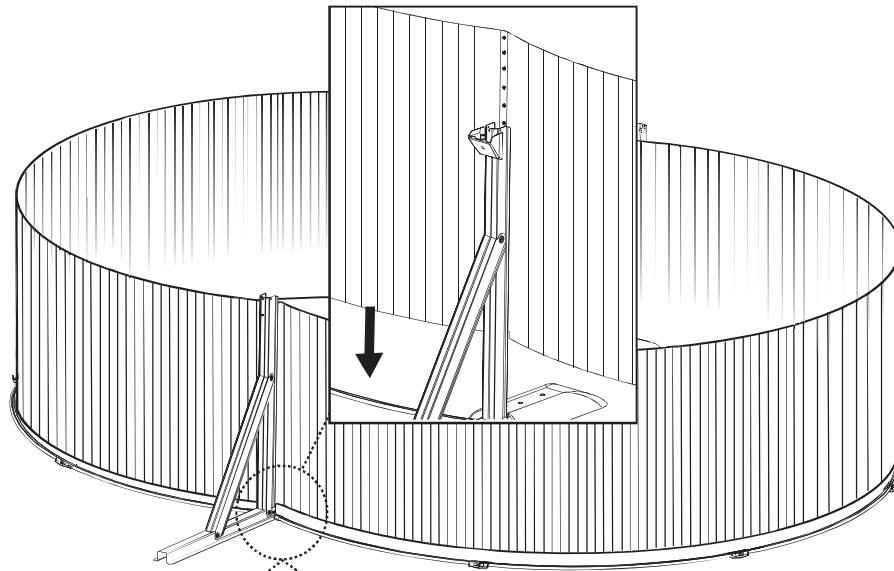
8. Rest the end of the pool wall in the Side Bottom Metal Piece between the gap in the Side Rail. Make sure the prepared location is not prone to constant windy conditions. Continue unrolling and placing the bottom edge of the pool wall into the rails until the full length of the pool wall is sitting in the Rails **(See Diagram 21)**



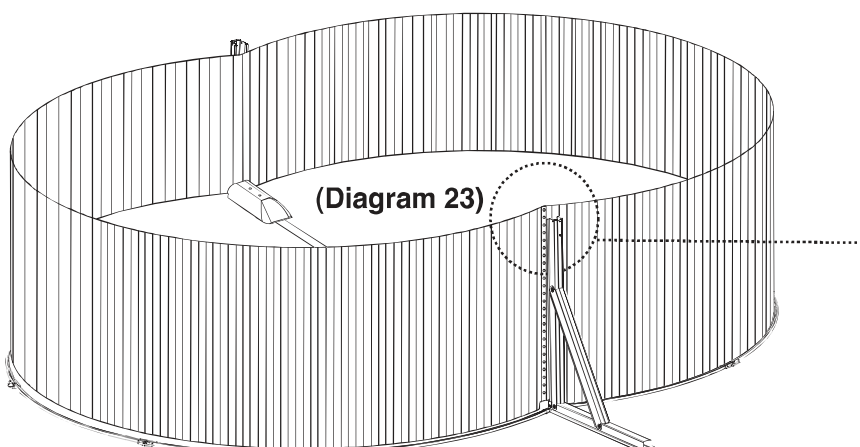
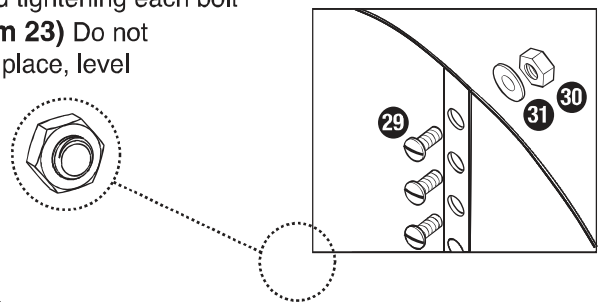
2021 - 2022

# Selecting a Suitable Site

9. On the opposite side of the pool wall, carefully lift and place the steel wall in between the Side Support Frame and the Inside Bottom Protector. NOTE! There is a section cut out of the pool wall that will allow the wall to slot over the Horizontal Support Beam. (See Diagram 22)



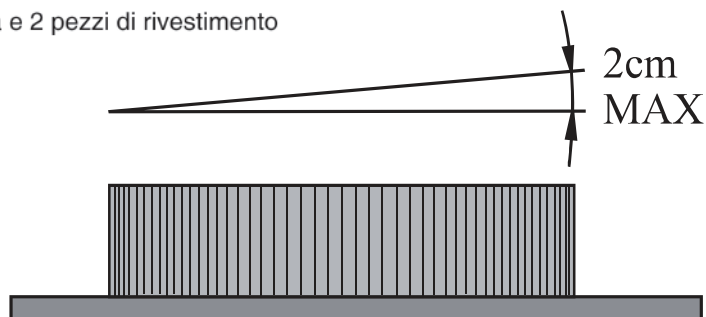
10. Line up the two ends of the pool wall then begin inserting and hand tightening each bolt and nut until the full length of the join is assembled. (See Diagram 23) Do not completely tighten bolts before you check the wall is in the correct place, level and that no damage has occurred to the pool wall. NOTE: At this stage, it is recommended that you assemble the Pool Ladder to place over the pool wall to gain access to the inside and outside of the Pool area's.



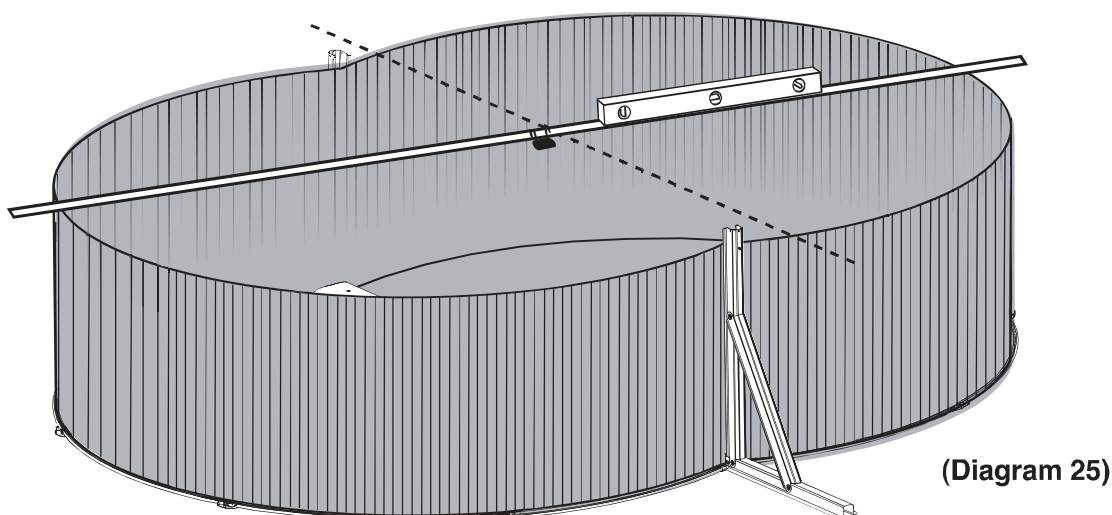
## Measuring the Pool Wall

Tappeto per il suolo incluso e obbligatorio  
Kit di riparazione per liner incluso, composto da colla e 2 pezzi di rivestimento

**WARNING! A pool that is not level is very dangerous and may collapse at anytime.**



(Diagram 24)



(Diagram 25)

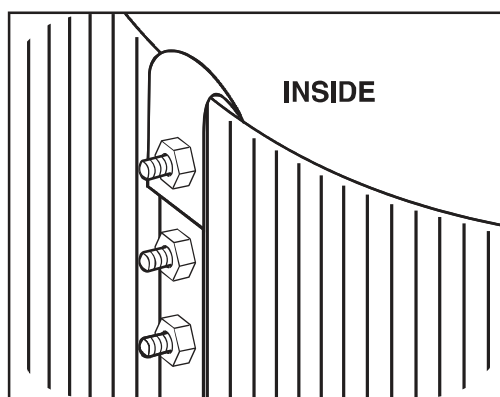
Check the pool wall level by placing a length of timber beam or similar across the diameter of the pool wall and placing the builders level on the top of the timber beam. (See diagram 24) If the deviation is more than 2 cm (See diagram 25) then the ground site must be levelled again. Check also if the pool wall is oval and measure the diameter across a few spots to make sure the differences of each diameter measured are within 2cm.

If the levels are not to specification then the area will have to be leveled again.

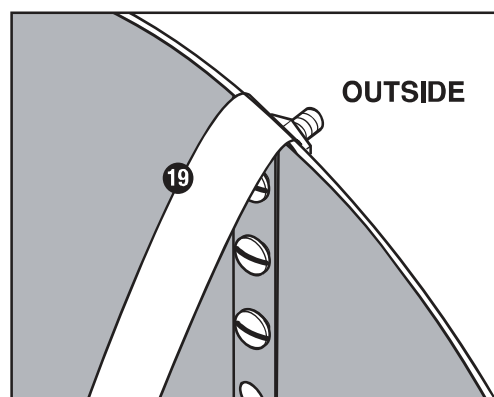
**CAUTION!** Try not to damage any of the components when disassembling the pool wall to correct the level of the ground.

Once the measurements and levels are correct and all nuts and bolts are tightened, then cover the exposed screw heads with the Self Adhesive Tape (See Diagram 26 and 27).

(Diagram 26)

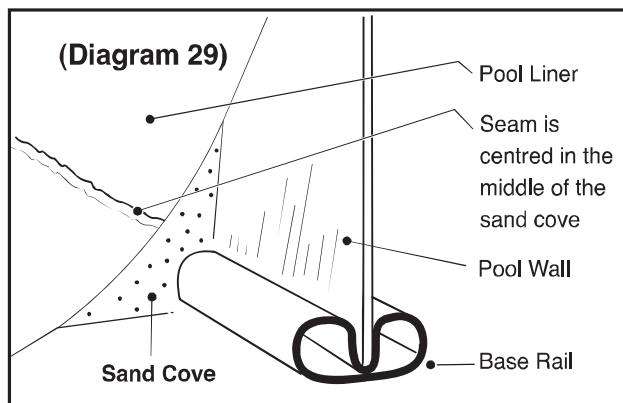
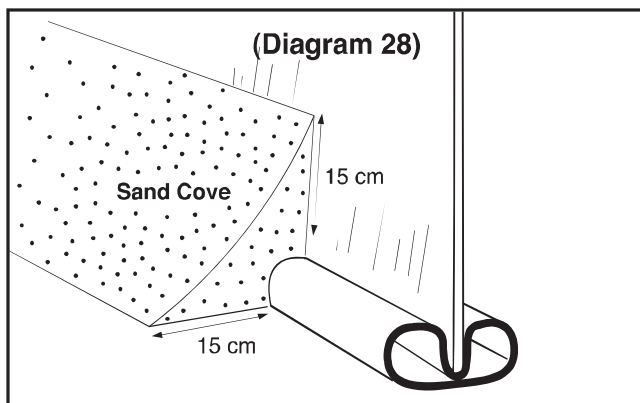


(Diagram 27)



Place the Self Adhesive Tape over the exposed screw heads to seal them off.

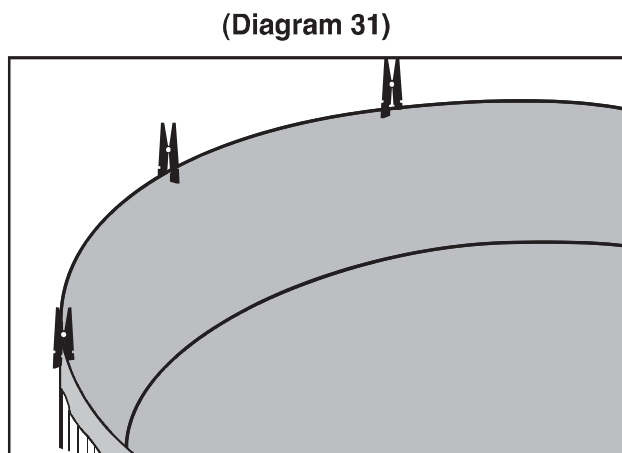
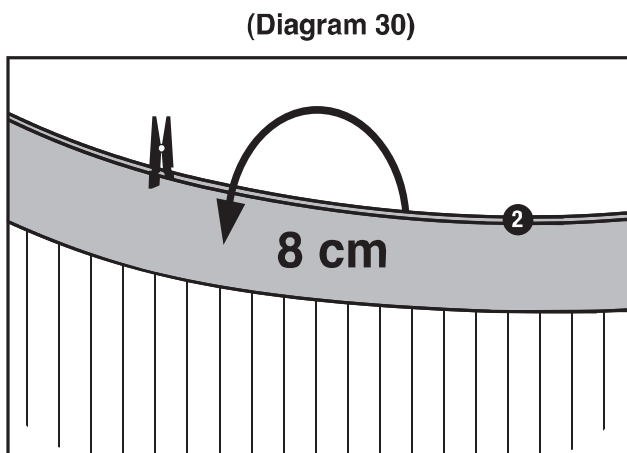
## MAKING A PROTECTIVE SAND CUSHION AT THE FOOT OF THE INNER POOL WALL



To protect the liner against the rail and the pool wall, it is recommended to create a protective covering made of fine brick sand at the foot of the pool wall. (See diagram 28, 29). The size should be 15cm H x 15cm W so that it completely seals the rail but doesn't distort the pool liner.

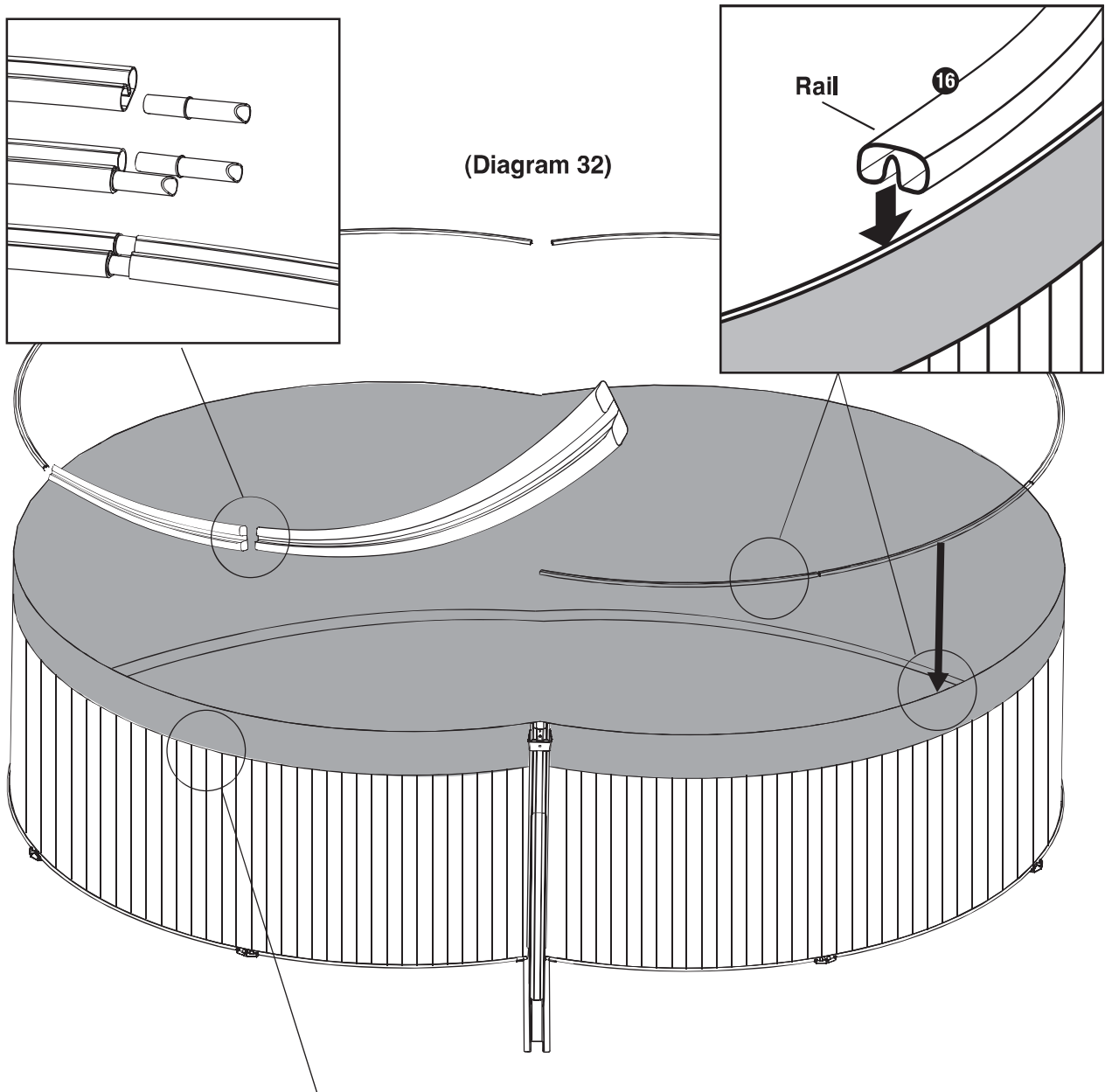
## FITTING THE PVC POOL LINER

Fit the PVC liner on a warm and sunny day, preferably above 22°C. Unfold the PVC liner and put it in the sun for 2 hours. This helps to soften the PVC. If the temperature is below 16°C, the PVC liner will be hard and rigid and quite difficult to handle. Put the liner at the centre of the pool site inside the pool wall. Extend it evenly until the seam line reaches the base of the pool where the protective sand cover is. Smooth out all the wrinkles in the liner. Straighten the PVC liner and hold it perpendicular to the ground. Drape the pool liner over the pool wall. There should be an overlap of 8cm of the pool wall height (See diagram 30 and 31) Hold the overlap in place with clothes pegs.



Check if the pool liner is placed evenly around the perimeter. Evenly fold the excessive length of the PVC if you find it a bit loose. Check if the overlap is uniform. If the pool liner is slightly short, then you will have to let it down and vice versa. Fill the pool with 3 to 5cm height of water to smooth out the liner against the pool wall. Check to see if water is level, if not, something is wrong and you will have to dismantle the liner and pool wall to access and level the ground area.

Remove one peg at a time whilst applying the top rails (**See diagram 32**). Slide the pipe connectors into one end of the top rail, then connect another top rail, continue around the circumference until all top rails are joined together and firmly pressed into the top of the pool wall.



**CAUTION!** Do not cut the excess overlap of the pool liner wall. If you cut the overlap, it will make the next pool installation difficult.

***Fix all top rails to the top of the pool wall and make sure they are all sitting properly .***

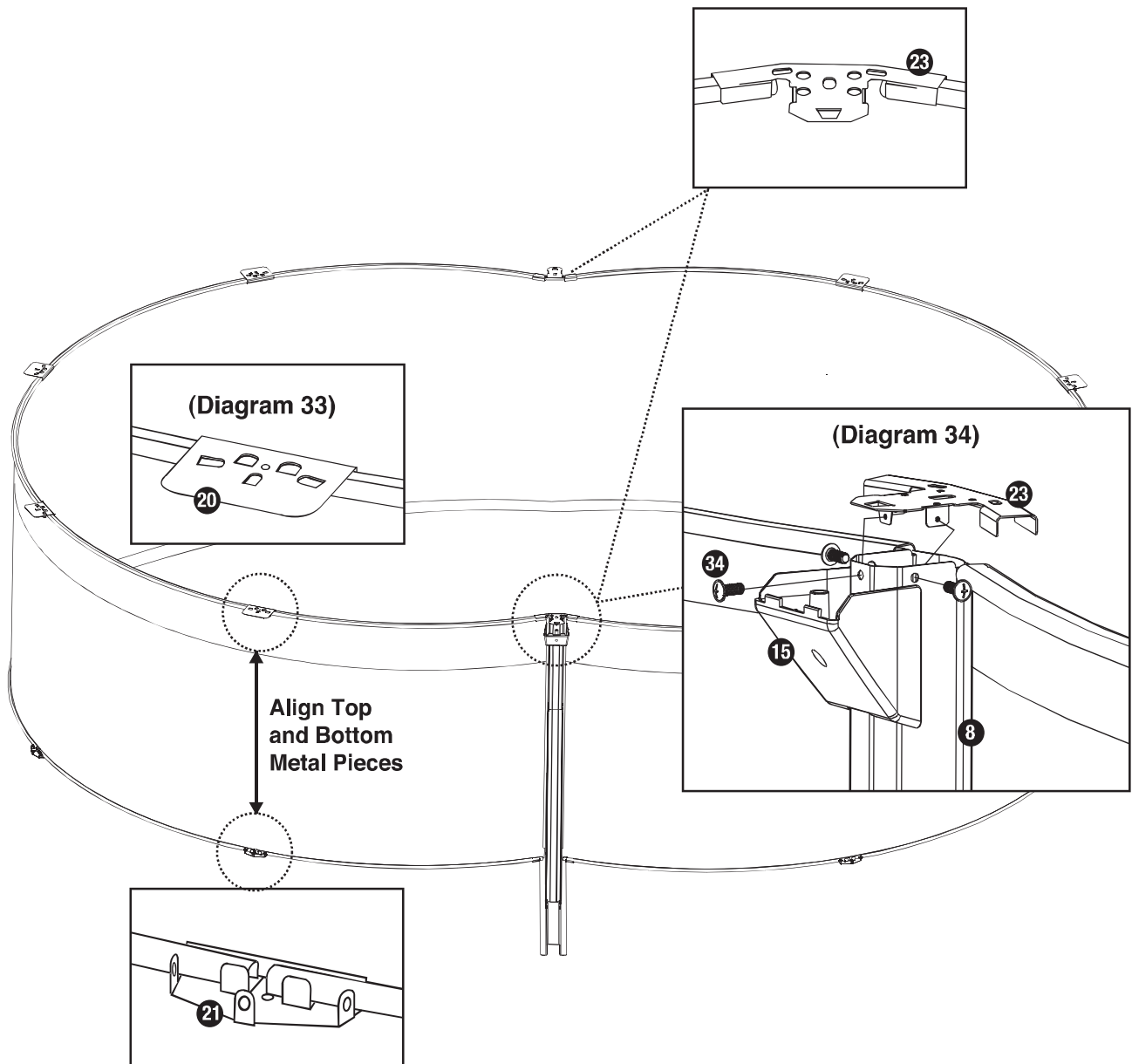
**2021 - 2022**



## INSTALLING THE TOP AND SIDE METAL PIECES

Hook the top metal pieces over the top rail between the rail connections and align with the Bottom Metal Pieces. (See Diagram 33)

Place the Side Metal Pieces over the top of the Vertical Side Beams and Rails and screw into place. (See Diagram 34)

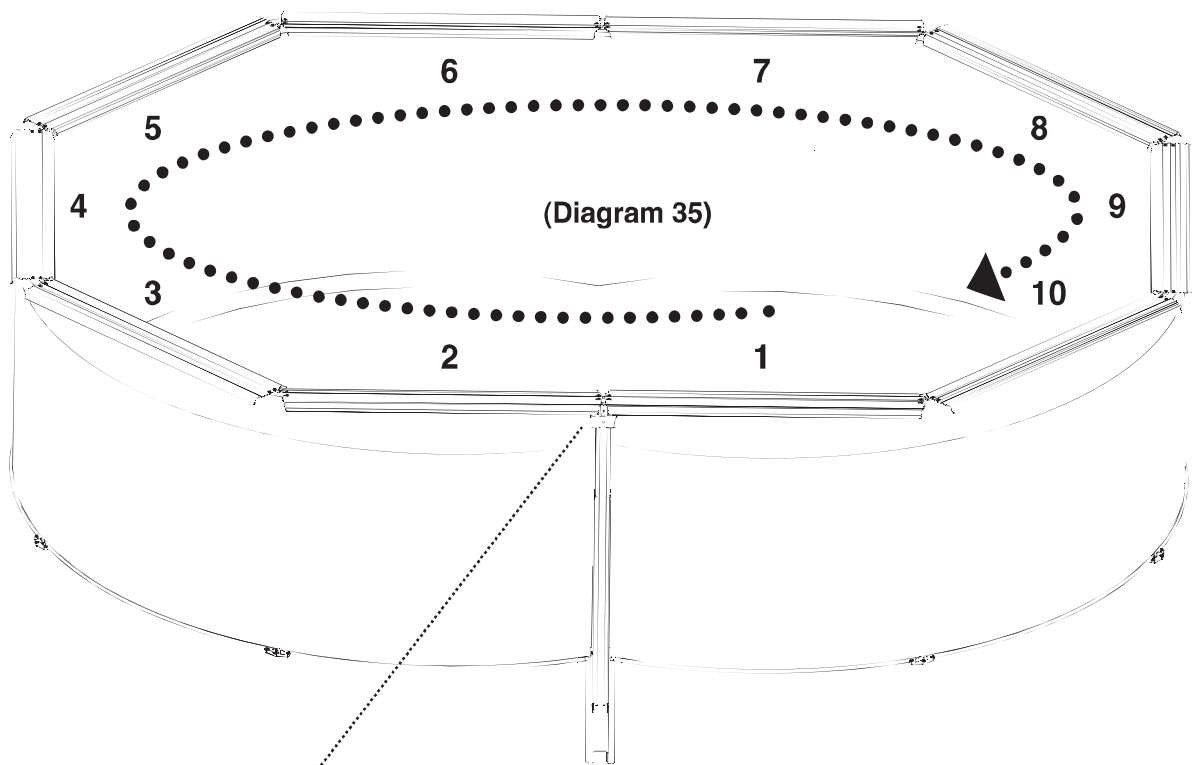




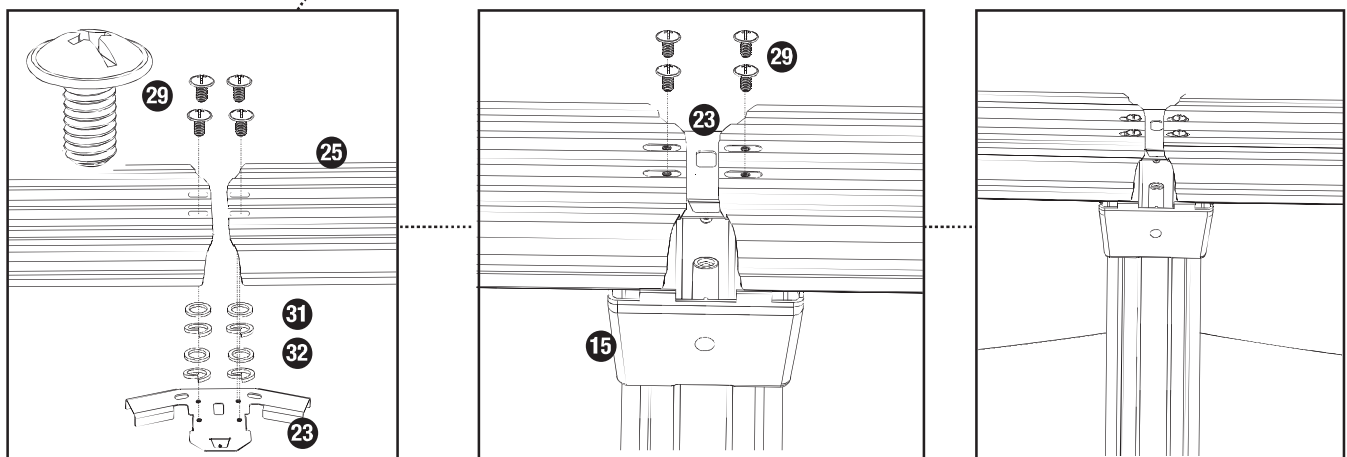
# Installing The Top And Side Top Platforms

Place the two Side Top Platforms on top of the Rails and align the holes over the Side Top Metal Piece. Using four Bolts, Washers, Spring Washers, attach the Side Top Platforms to the Side Top Metal Piece and only hand tighten. Place a Top Platform at the end of one of the Side Top Platforms and attach using four Bolts, Washers, Spring Washers and Nuts. Continue this process until all of the Top and Side Top Platforms are attached to all of the Top and Side Top Metal Pieces. (See Diagram 35, 36 and 37)

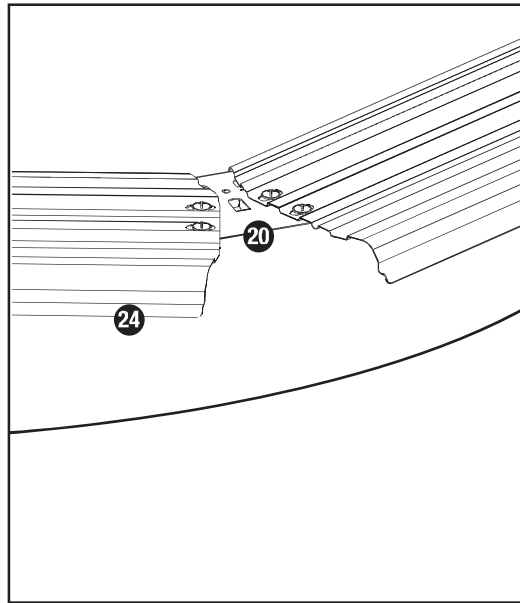
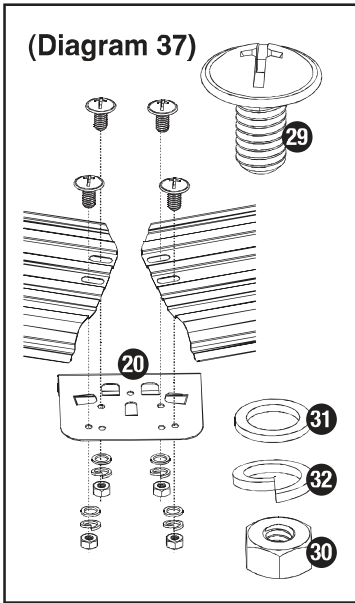
Check the alignment but do not tighten.



(Diagram 36)



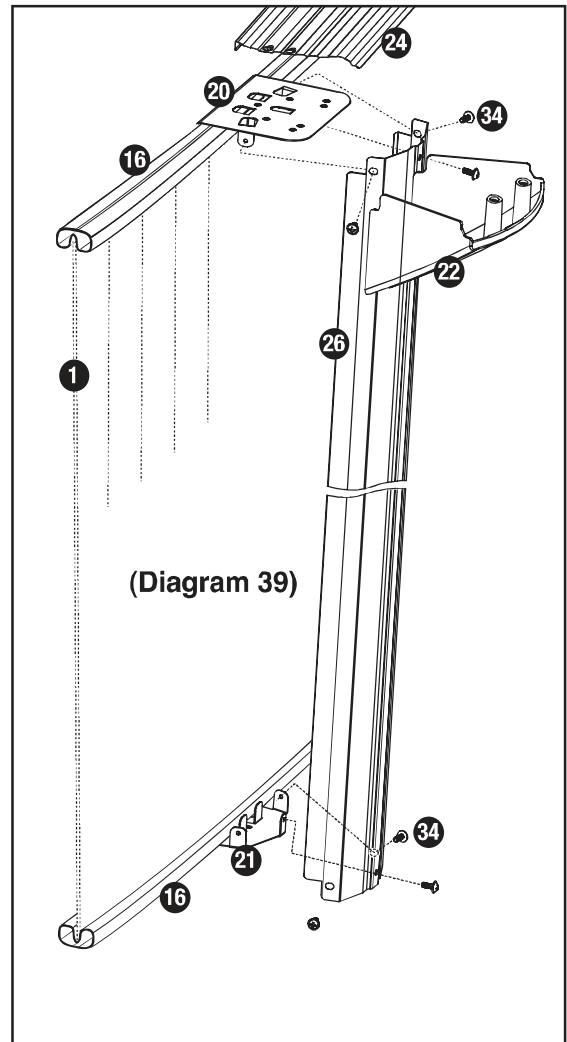
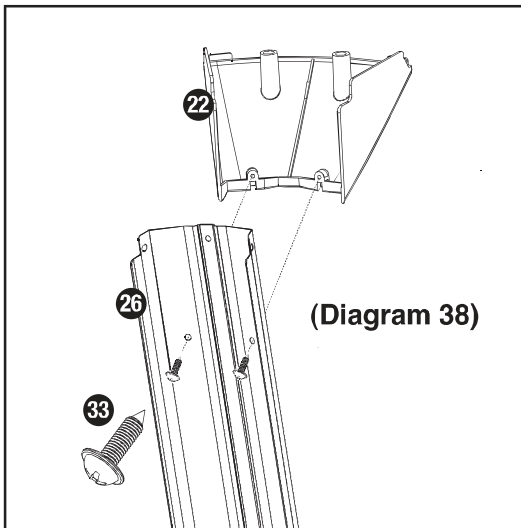
1, 2, 6 AND 7 SIDE TOP PLATFORM AS SHOWN IN DIAGRAM 35



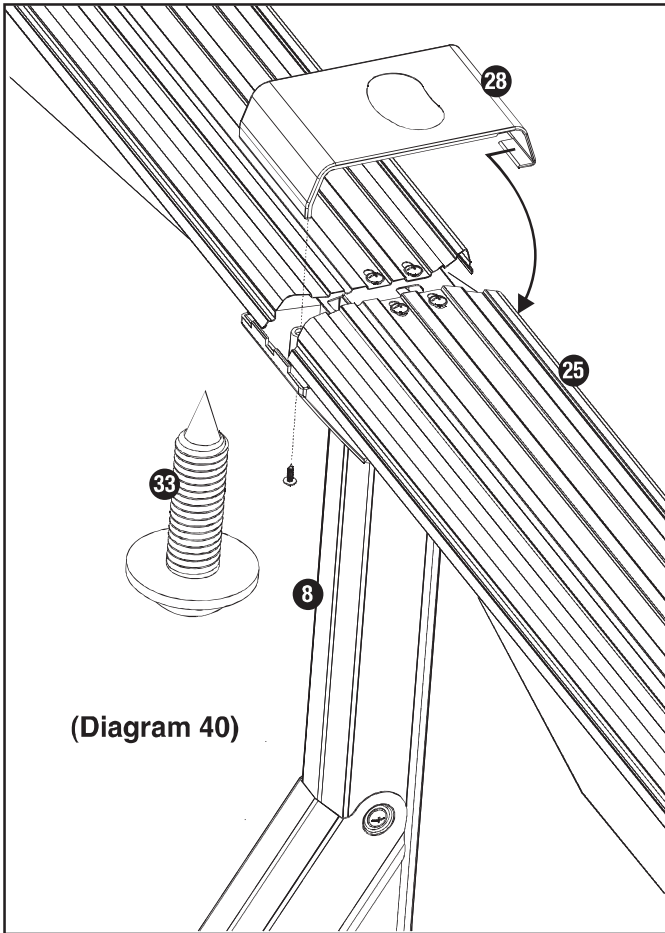
**3, 4, 5, 8, 9 AND 10 TOP PLATFORM AS SHOWN IN DIAGRAM 35**

**ASSEMBLY OF THE VERTICAL SUPPORTS**

Attach the Bottom Joint Protector to the Vertical Support using the screws provided (See diagram 38). Line up all of the screw holes of the vertical supports with the Top and Bottom Metal Pieces. Fix the vertical support onto the Top and Bottom Metal Pieces and hand screw into place. Continue this process around the pool until all of the Vertical Supports are attached. Check and adjust the alignment of the Vertical Supports to ensure that they are indeed vertical and straight then go around the pool and tighten all screws top and bottom. (See diagram 39)

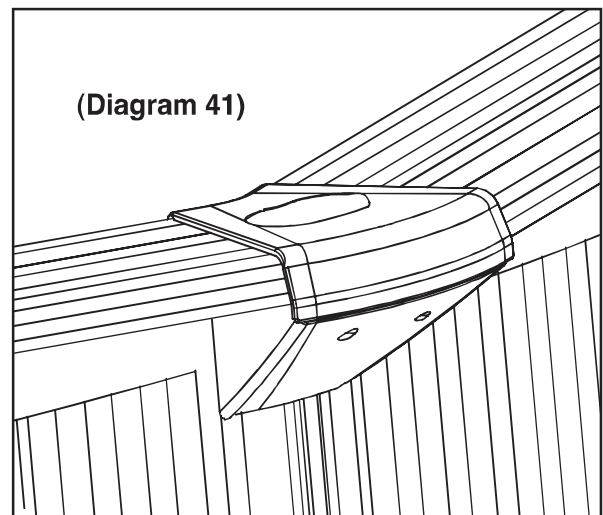
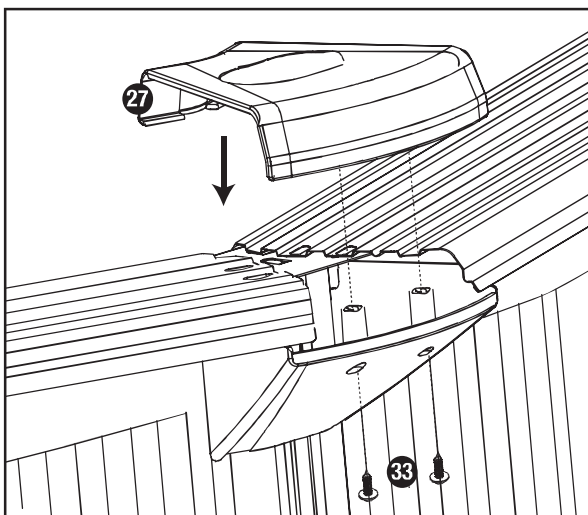


## Attaching Joint Protectors



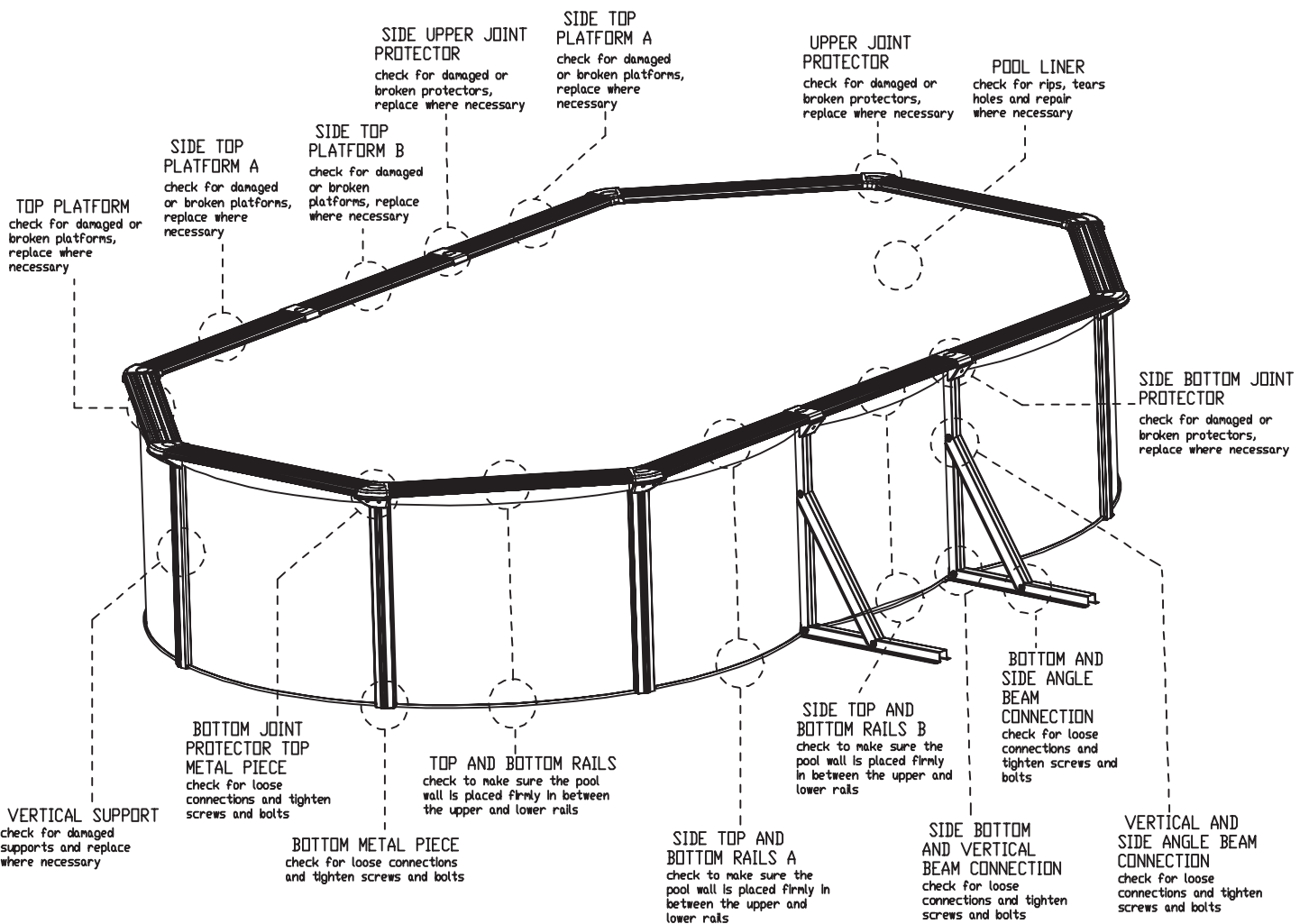
Clip the non-screw end of the Side Joint Protector over the Side Top Platform joint and screw the other end into place. Using the same method, attach the Joint Protectors for the Top Platforms and screw into place. Do not over tighten!

(See diagram 40 and 41)



# Check All Connections and Joins

Once completed, check all connections and tighten loose screws and bolts but do not over tighten. Replace damaged components and repair all tears, rips and holes with repair patch  
(See diagram 42)

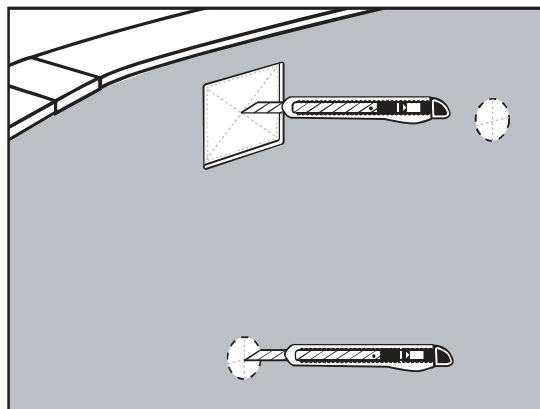


## Fixing The Leaf Skimmer

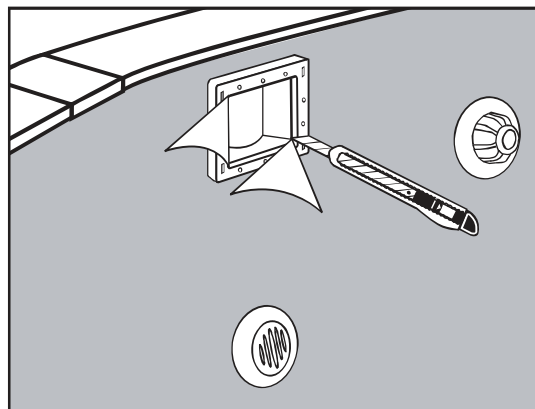
Unpack your Outlet, Inlet and Skimmer Box from the carton. Carefully read the **POOL LEAF SKIMMER** instruction manual before you start to mount the Outlet, Inlet and Skimmer Box onto the pool wall.

Mark the position of the hole with a cross shaped cut in the centre of the opening. Allow for a little over-hang around the edge. Use a sharp knife to trim off the remaining liner from the inside of the skimmer box and Inlet and outlet openings (See diagram 43 and 44)

(Diagram 43)



(Diagram 44)



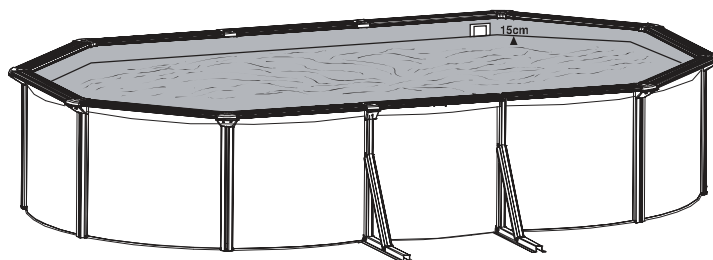
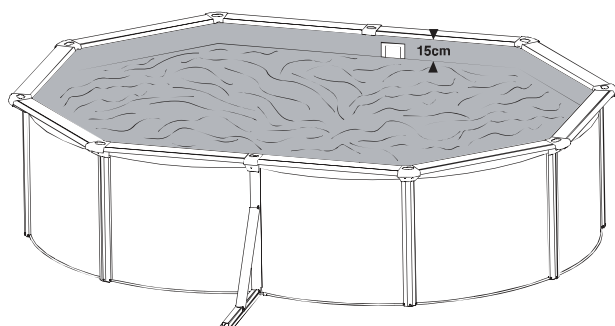
**WARNING!** Cutting more than necessary will damage and void the pool liner, so please do it with extra care. Follow the **Skimmer Box Instruction Manual** to install the Inlet and Outlet connection kit and Skimmer Box to the pool wall. Carefully trim off any protruding part of the liner within inside the connections after installation. Caution! Do not damage any part of the inside of the Skimmer box and Inlet and Outlet connections with the knife.

### FILLING THE POOL WITH WATER

Before you fill the pool with water, thoroughly check to see if there are any loose screws, holes or tears in the liner. Fill the pool until it is half way across the skimmer box opening or to the maximum water level or a minimum of 15cm from the top of the pool wall (see diagram 45) to make sure water is entering the skimmer box opening.

**WARNING!** To avoid collapse, never leave the pool without water in it.

(Diagram 45)



**Warning! The Filter Pump must be switched off if there are swimmers inside the pool!**

Follow assembly instructions in the Sand Filter Pump Combo Manual.

2021 - 2022

# Pool Maintenance

1. Always keep your pool clean and apply the correct pool chemicals. Unsanitary water is a serious health hazard.
2. Maintain pool pH level between 7.2 to 7.6
3. Ask your dealers advice first if you want to modify your filtration system.
4. Clean the PVC liner regularly with non-abrasive brushes or venturi vacuum cleaner.
5. Turn your filtration system on at least one day before using the pool. Allow enough time to ensure the pool water is completely filtrated before use.
6. Make sure the water level is 15 cm from the top.

## GENERAL WATER SAFETY

**SUPERVISE CHILDREN AT ALL TIMES AROUND WATER. ENSURE YOU HAVE A POOL FENCE THAT IS CORRECTLY INSTALLED AND FUNCTIONING.**

**LEARN CPR AND KEEP IN PRACTICE.**

Read this as often as you can before you use the pool with your children! Your children's safety depends on you! Accidents don't just happen to other people, they may happen to your children if they are not closely and constantly watched over. Prepare yourself mentally for any situation that may occure so you are able to offer adequate aid and assistance.

Child supervision should be close and constant.

Name only one safety supervisor.

Reinforce supervision when there are several users in the swimming pool.

Have personal flotation aids available (for people who cannot swim).

Teach your children to swim as early as possible.

Wet your neck, arms and legs before you enter the water.

Make sure you are trained in life-saving techniques, especially those for children.

Forbid young children from diving or jumping into the pool.

Forbid races and rough play in the pool.

Do not allow children who are unable to swim, to enter the pool without swim vest or armbands, and without adult supervision. Flotation devices are not a substitute for adult supervision.

Do not leave toys near or in the pool with no supervision.

Always keep the water clear and sanitised.

Store the water treatment products away from childrens reach.

Always keep a telephone at or near the pool side so as to not leave children alone when you are on the phone.

Always keep pool buoy and pool pole at the pool side.

Keep the pool fence gate shut when the pool is not occupied.

Install and secure the pool cover when not in use.

If possible, use an electronic pool alarm that can detect someone falling into a pool.

## THERE IS NO REPLACEMENT FOR CLOSE ADULT SUPERVISION OF CHILDREN

If an accident occurs:

Take the child out of the pool promptly.

Call **000** immediately for assistance and follow the advises given to you.

Perform CPR immediately if child or adult is not breathing. See CPR life support flow chart

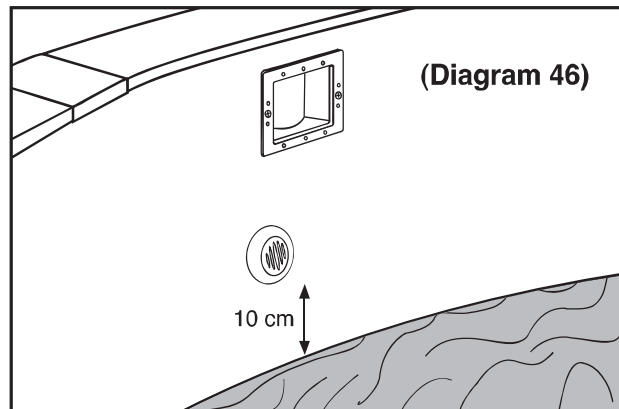
The CPR instruction is also on the pool wall.

# 2021 - 2022

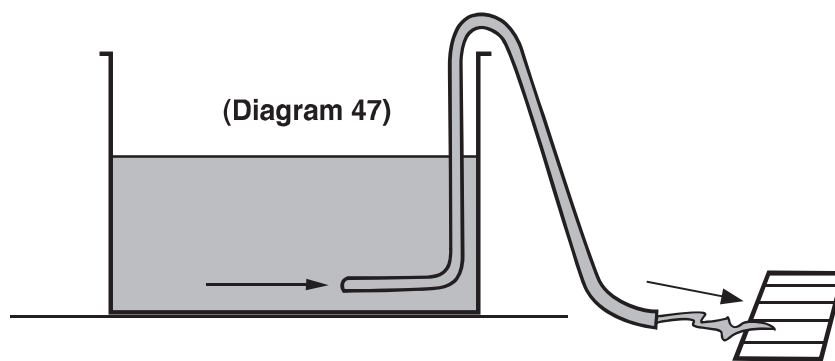
# Winterising

If you do not want to dismantle the pool in winter, please observe the following instructions:

1. Do not drain away all of the pool water, if you do so, the pool may collapse.
2. Treat the pool water with a suitable chemical product.
3. Drain the water 10cm below the Outlet valve in the pool wall. You can use a pump or a garden hose.  
(See diagram 46)



4. Dip the hose into the water until water fills it completely, take out one hose end and water will begin to drain automatically. (See diagram 47)



5. Don't use the water on the garden as this water will be treated with pool chemicals.
6. Close the hole of the return valve with a stopper. They are available from a pool retailer
7. Remove the filtration system from the pool and drain away any water inside the filtration system.  
You can leave the inlets/outlets attached to the pool. Store the filtration system away in a dry place.  
Preferably in its original carton.
8. Also remove any other pool accessories and store away in a dry and cool place.
9. Protect the pool with the pool cover. Secure the cover with draw cables and tighten it around the pool.



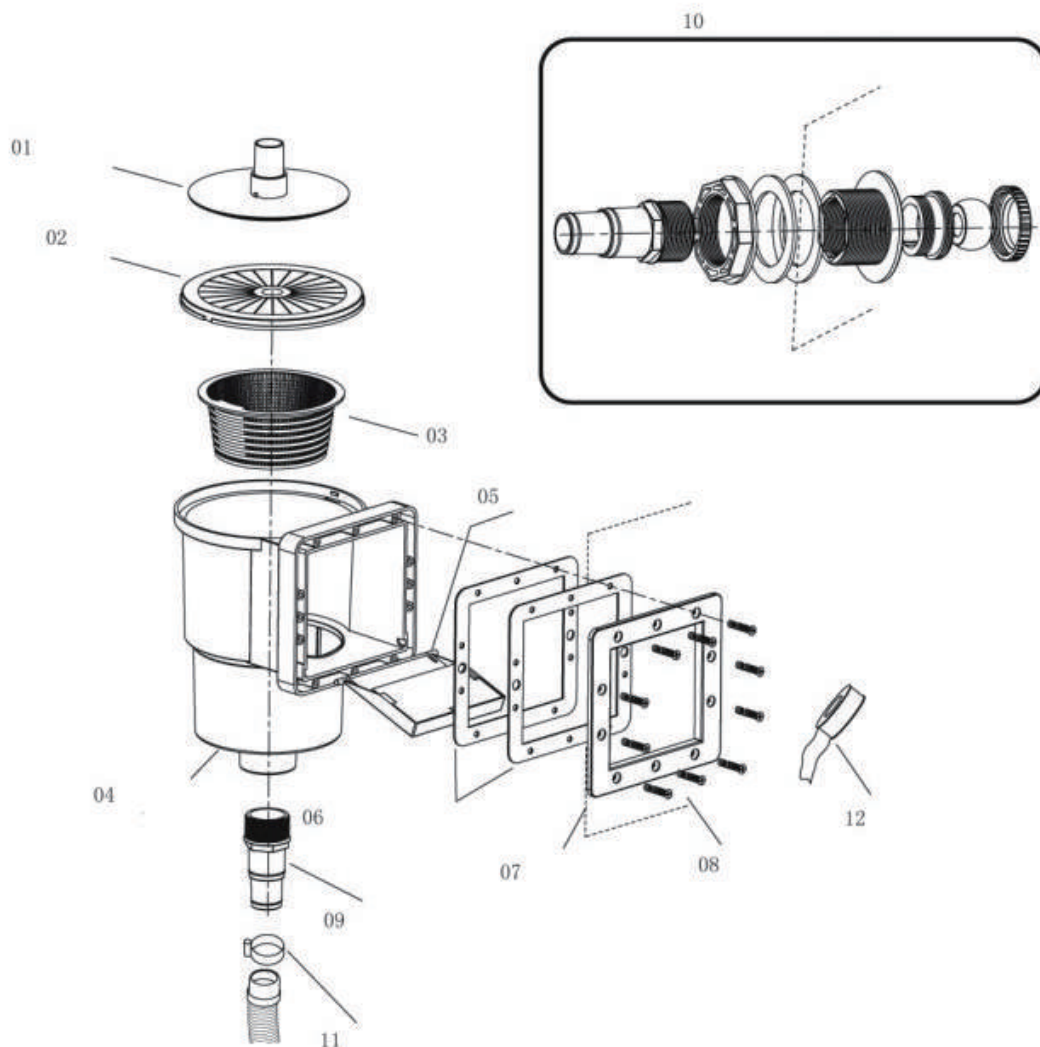
# Assembling the Skimmer

Replace the lip seal on the skimmer cutout on. Make sure that the flange holes fit!

From outside the pool, place the gasket and skimmer housing against the pool wall in line with the hole.

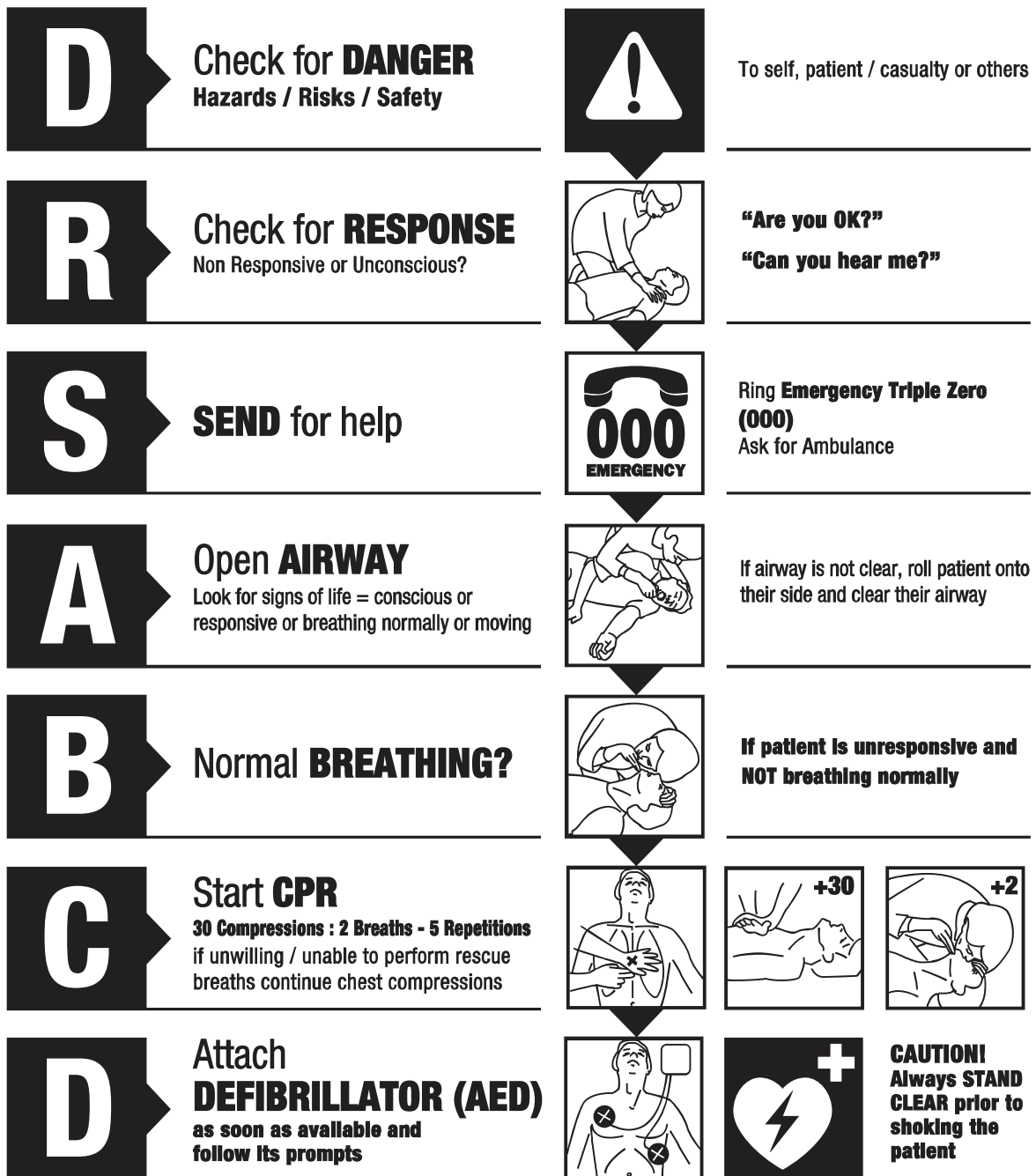
From inside the pool, place the faceplate and gasket against the pool wall in line with the hole. Push the screws carefully through pool liner but do not securely tighten them until all the screws are in place. Ensure that the housing and inside faceplate are correctly aligned and tighten the screws into position but do not over tighten as you may damage the screws and / or the pool wall and liner. Ensure that the gasket is not pinched or damaged.

No.	Name	Quantity
01	Hose attachment	1
02	Cover	1
03	Basket	1
04	Skimmer Housing	1
05	Weir	1
06	Gasket	2
07	Face Plate	1
08	Screw (ST5x24)	10
09	Outlet connector	1
10	Inlet connector kit	1
11	Hose clamp	2
12	Teflon Tape	1
13	Plug	2





# BASIC LIFE SUPPORT FLOW CHART



**CONTINUE CPR UNTIL RESPONSIVENESS OR NORMAL BREATHING RETURNS, OR UNTIL AMBULANCE ARRIVES**

**THIS GUIDE IS NOT A SUBSTITUTE FOR PROFESSIONAL TRAINING  
 YOUNG CHILDREN SHOULD BE SUPERVISED WHEN USING THIS POOL**

**2021 - 2022**



1298\_69125 Piscine ovale avec structure en bois-4.90×3.60×1.20m



1298\_80748 Piscine ovale avec structure en bois-6.10×3.60×1.20m

FRANCAIS

2021 - 2022



# AVERTISSEMENT !

Veillez respecter les règles suivantes pour diminuer le risque de blessures graves, voire de décès :

## INSTRUCTIONS IMPORTANTES EN MATIERE DE SECURITE

Les instructions suivantes contiennent des informations importantes relatives à la sécurité. Nous vous encourageons vivement à lire ces instructions importantes en matière de sécurité et à les respecter lorsque vous utilisez la Premium Metal Wall Pool. Lorsque vous installez et utilisez cet équipement électrique, vous devez toujours respecter les prescriptions de sécurité de base. Cela comprend les éléments suivants.



## AVERTISSEMENT !

**DES ENFANTS SE SONT NOYÉS DANS DES PISCINES PORTABLES. GARANTISSEZ LA SUPERVISION ACTIVE D'UN ADULTE À TOUT MOMENT. NE LAISSEZ PAS LES ENFANTS SANS SURVEILLANCE DANS OU À PROXIMITÉ DE LA PISCINE**

**FAITES EN SORTE DE TOUJOURS POUVOIR LES TOUCHER. LES LOIS RELATIVES AUX CLÔTURES AUTOUR DES PISCINES S'APPLIQUENT À CETTE PISCINE. VEUILLEZ CONSULTER VOS AUTORITÉS LOCALES POUR LES EXIGENCES EN MATIÈRE DE PISCINES.**

**AVERTISSEMENT : NE CHOISISSEZ PAS UN ENDROIT DANS LEQUEL POUSSE DU KIKURA, DU KUTCH OU DES GRAMINÉES À TUBERCULES ; CES VARIÉTÉS PEUVENT RENTRER DANS LE LINER DE LA PISCINE ET ENTRAÎNER L'ANNULATION DE LA GARANTIE.**

## VEUILLEZ LIRE ET SUIVRE TOUTES LES INSTRUCTIONS.

REMARQUE	Veillez examiner l'équipement avant son utilisation. Appelez votre distributeur s'il y a des parties endommagées ou manquantes au moment de l'achat. N'assemblez pas la piscine ou ne l'utilisez pas jusqu'à ce que ces parties soient remplacées.
AVERTISSEMENT	Consultez votre conseil local, gouvernement ou autorité fluviale en ce qui concerne l'utilisation d'eau et/ou les restrictions d'eau en rapport avec ce produit.
AVERTISSEMENT	Les lois relatives aux clôtures autour des piscines concernent ce produit. Consultez votre conseil local et votre gouvernement. Respectez les exigences des lois étatiques et fédérales, telles que les clôtures, les fermetures, les portes de protection pour les enfants, etc.
AVERTISSEMENT	L'eau attire les enfants ; veuillez toujours enlever l'échelle de la piscine lorsque vous n'utilisez pas celle-ci. Rangez-la dans un endroit auquel les enfants n'ont pas accès..
DANGER	Évitez le risque de noyade accidentelle. Il faut faire preuve d'une extrême prudence pour empêcher l'accès non autorisé des enfants. Afin d'éviter les accidents, assurez-vous que les enfants ne peuvent pas utiliser la piscine, sauf s'ils sont placés sous la surveillance d'un adulte à tout moment. <b>NE LAISSEZ JAMAIS LES ENFANTS SANS SURVEILLANCE.</b>
AVERTISSEMENT	Risque de choc électronique. Connectez uniquement la pompe du filtre à un réceptacle de type de mise à la terre protégé par un appareil de courant résiduel. Faites appel à un électricien qualifié pour installer l'appareil de courant résiduel, qui a un taux maximum de 30 milliampères..
AVERTISSEMENT	Assurez-vous de savoir où se trouve le commutateur pour éteindre votre pompe à tout moment, afin de pouvoir éteindre celle-ci en cas d'urgence. Il est nécessaire que le commutateur pour éteindre l'appareil de courant résiduel soit accessible après l'installation de la piscine.
AVERTISSEMENT	N'utilisez jamais un cordon d'extension pour raccorder la pompe du filtre à une source de courant. Si vous le faites, cela peut endommager le système de la pompe du filtre..

2021 - 2022



# AVERTISSEMENT!

Veillez respecter les règles suivantes pour diminuer les risques de blessures graves, voire de décès :

:

- AVERTISSEMENT -** Pour éviter toute électrocution, n'autorisez pas les appareils électriques (par exemple : les lampes, les téléphones, les radios, les télévisions, les sèche-cheveux, etc.) à pénétrer dans un rayon de 2,5 mètres de la piscine.
- AVERTISSEMENT -** Risque de choc électrique. N'utilisez jamais d'équipement électrique lorsque vous vous trouvez dans la piscine ou lorsque vous êtes mouillé.
- AVERTISSEMENT -** Afin de réduire le risque de blessures ou de danger, remplacez immédiatement tout cordon endommagé auprès du fabricant, de son agent de service, ou de personnes disposant des mêmes qualifications.
- AVERTISSEMENT -** N'enfouissez pas le cordon électrique. Évitez d'utiliser des tondeuses, des tailles-haies ou d'autres équipements de jardinage à proximité ou autour de la Metal Wall Pool et du cordon électrique..
- AVERTISSEMENT -** Ne nagez jamais ou ne vous baignez jamais dans la piscine lors d'une averse ou lors d'une tempête électrique ou s'il y a une menace d'éclair à proximité de la piscine.
- AVERTISSEMENT -** N'autorisez jamais le chahut, les plongeurs ou les sauts dans ou autour de la Metal Wall Pool. N'entrez jamais dans la piscine par le biais d'un pont ou d'une autre surface surélevée ; le niveau de l'eau de la piscine est peu profond. Cela pourrait entraîner des blessures graves, une paralysie ou même la mort.
- ATTENTION -** Nous vous recommandons de porter des gants de protection lors de l'assemblage de la piscine.



**INTERDICTION DE  
PLONGER**



**INTERDICTION  
DE SAUTER**



**PAS DE TERRAIN  
EN PENTE**



**UTILISER UNIQUEMENT  
DANS LE CADRE D'UNE  
SUPERVISION PAR DES  
PERSONNES  
COMPETENTES**

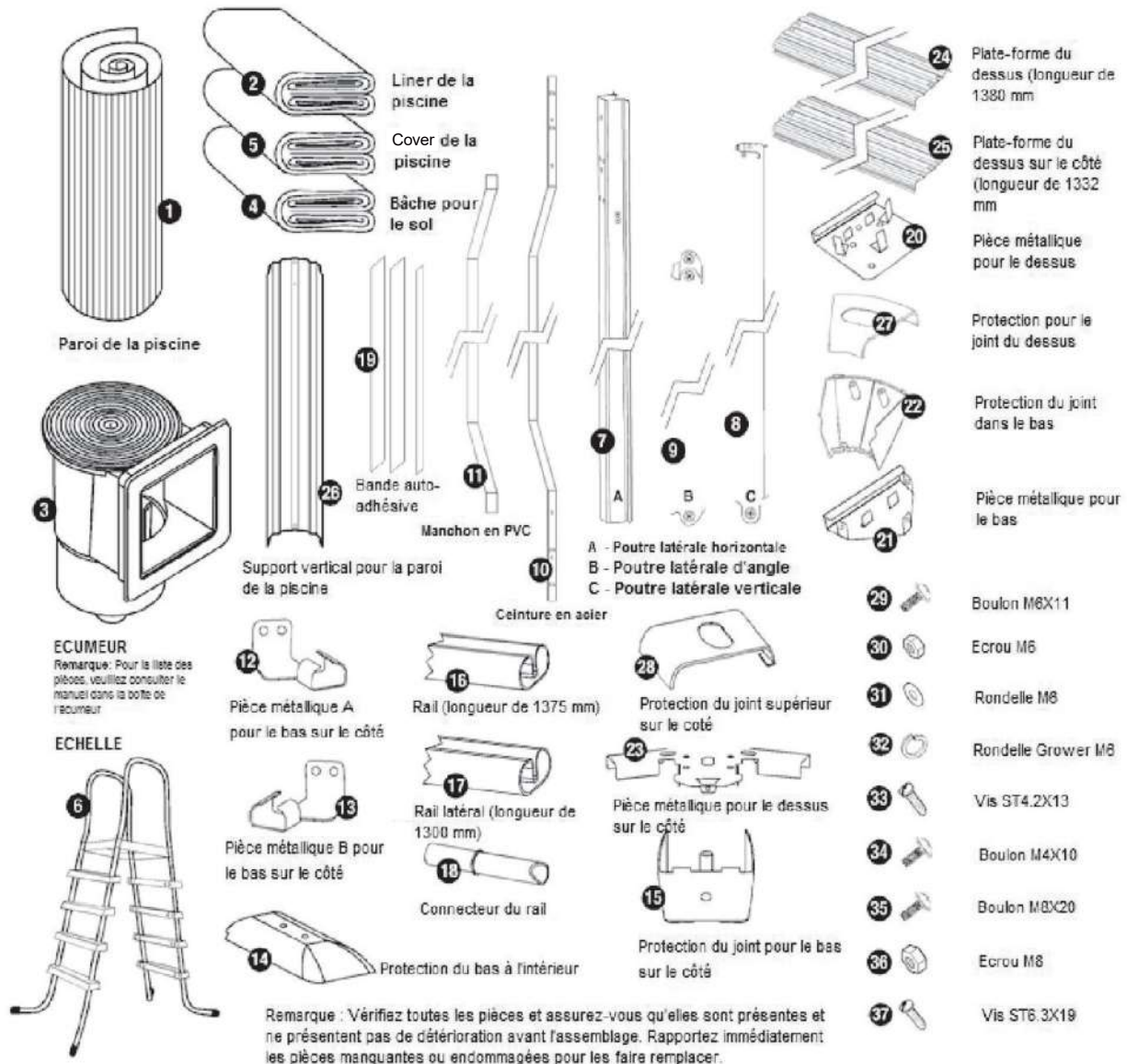
**VEUILLEZ SAUVEGARDER CES INSTRUCTIO**

**2021 - 2022**

# Table des matières pour les produits

Tapis de sol inclus et obligatoire

Kit de réparation pour liner inclus, composé d'une colle et de 2 pièces de revêtement



2021 - 2022

# Sélection d'un site approprié

Sélectionnez soigneusement le site de votre nouvelle piscine. C'est la décision la plus importante que vous devrez prendre pour garantir la sécurité et le succès de la construction de votre piscine. Un site incorrect pourrait engendrer des problèmes à l'avenir qui pourraient donner lieu à des blessures, un décès ou une perte financière. Veuillez lire attentivement la liste de contrôle ci-dessous lorsque vous sélectionnez votre site.

## Acceptable :

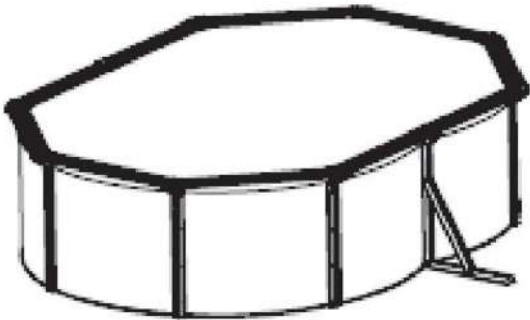
Un sol plat, nivelé, ferme et sec avec un accès aisé à tous les côtés de la piscine exposés directement au soleil, de préférence le matin. Un accès sécurisé à l'électricité pour faire fonctionner la pompe du filtre et les autres accessoires de la piscine. Un accès à la principale source d'eau. Une protection par rapport au vent.

## Outils nécessaires :

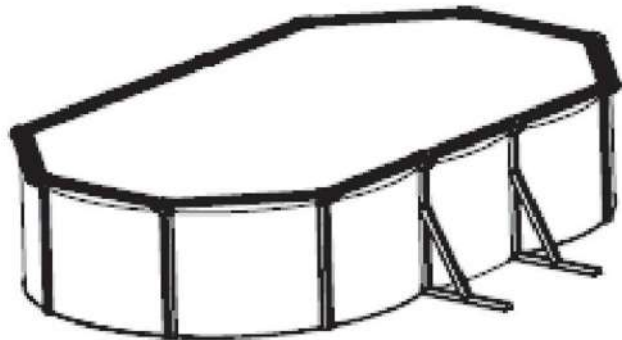
- Tournevis Philips
- Petit levier
- Pincés à linge
- Couteau acéré
- Outils d'excavation
- Gants de protection

## Pas acceptable :

- Terrain en pente.
- Un sol en béton, en asphalte, sablonneux et marécageux.
- À proximité d'une construction en bois, par exemple des pergolas et des ponts.
- À proximité d'arbres à feuilles caduques ou d'arbres touffus.
- En dessous de lignes électriques et de fils pour faire sécher le linge.
- Au-dessus de drains, de câbles électriques ou de conduites de gaz.
- Faible drainage ou drainage absent ou risque d'inondations important
- Exposition à des vents violents



1298\_69125  
4.9×3.6×1.2m(16'×12'×48")



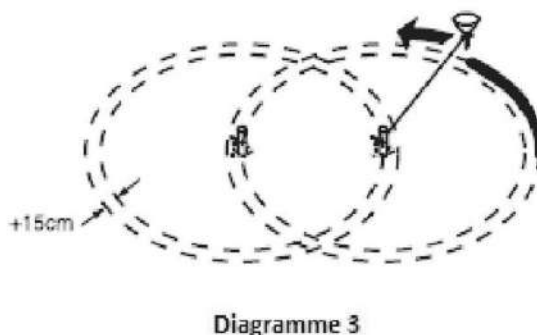
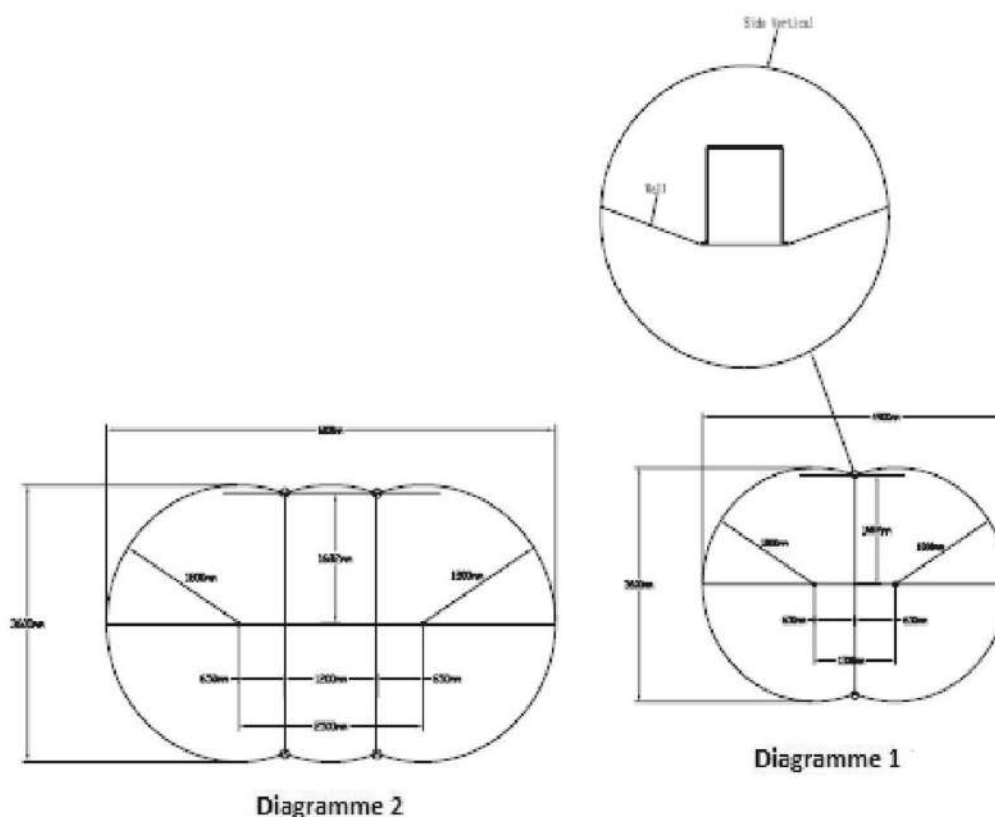
1298\_80748  
6.1×3.6×1.2m(20'×12'×48")



# INSTALLATION DE LA PISCINE

## MARQUAGE DU SITE

1. Marquez le centre du site et enfoncez un pieu ou un tournevis dans le sol (voir le diagramme 1)
2. Nouez un morceau de corde sur le stick. À l'autre extrémité de la corde, attachez un entonnoir. La distance entre le stick et l'entonnoir devrait être supérieure de 15 cm au rayon de la piscine (voir le diagramme 2).
3. Mettez de la farine, de la poussière de craie ou de la chaux dans l'entonnoir et tracez un cercle autour du pieu. Si le diamètre le plus petit est de 360 cm, les 2 cercles devraient alors avoir un diamètre de 390 cm (voir le diagramme 3)



# NIVELLEMENT DE LA ZONE

**Avertissement ! Le nivellement est très important** : prenez autant de temps que nécessaire pour élaborer un site tout à fait ferme et nivelé.

Utilisez le niveau d'un charpentier et une règle droite pour garantir que le site est complètement à niveau, plat et ferme ! (Voir le diagramme 4). La piscine contient une quantité importante d'eau et pèse des milliers de kilos. Si elle devait s'effondrer en raison d'un terrain qui n'est pas nivelé, cela pourrait causer de nombreuses détériorations à la propriété, et même des blessures ou des décès !

Enlevez l'excédent de terre au lieu de combler les terres manquantes (voir le diagramme 5).

Attention ! Enlevez toujours les pierres et l'herbe qui se trouve à l'intérieur du cercle.

Lorsque vous enlevez les herbes Kutch et Kukua, utilisez la couverture pour le sol fournie pour vous assurer que les herbes ne pénètrent pas dans le liner de la piscine et ne l'endommagent pas

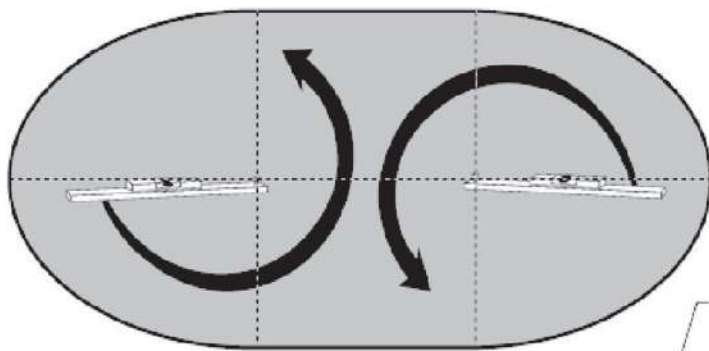


Diagramme 4

Diagramme 5

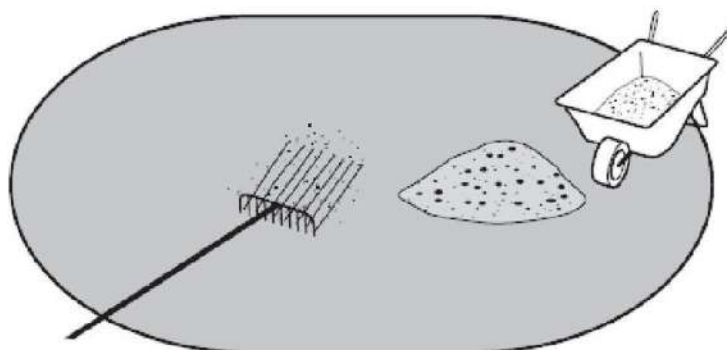
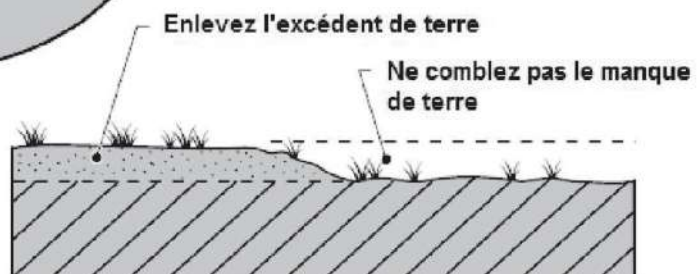
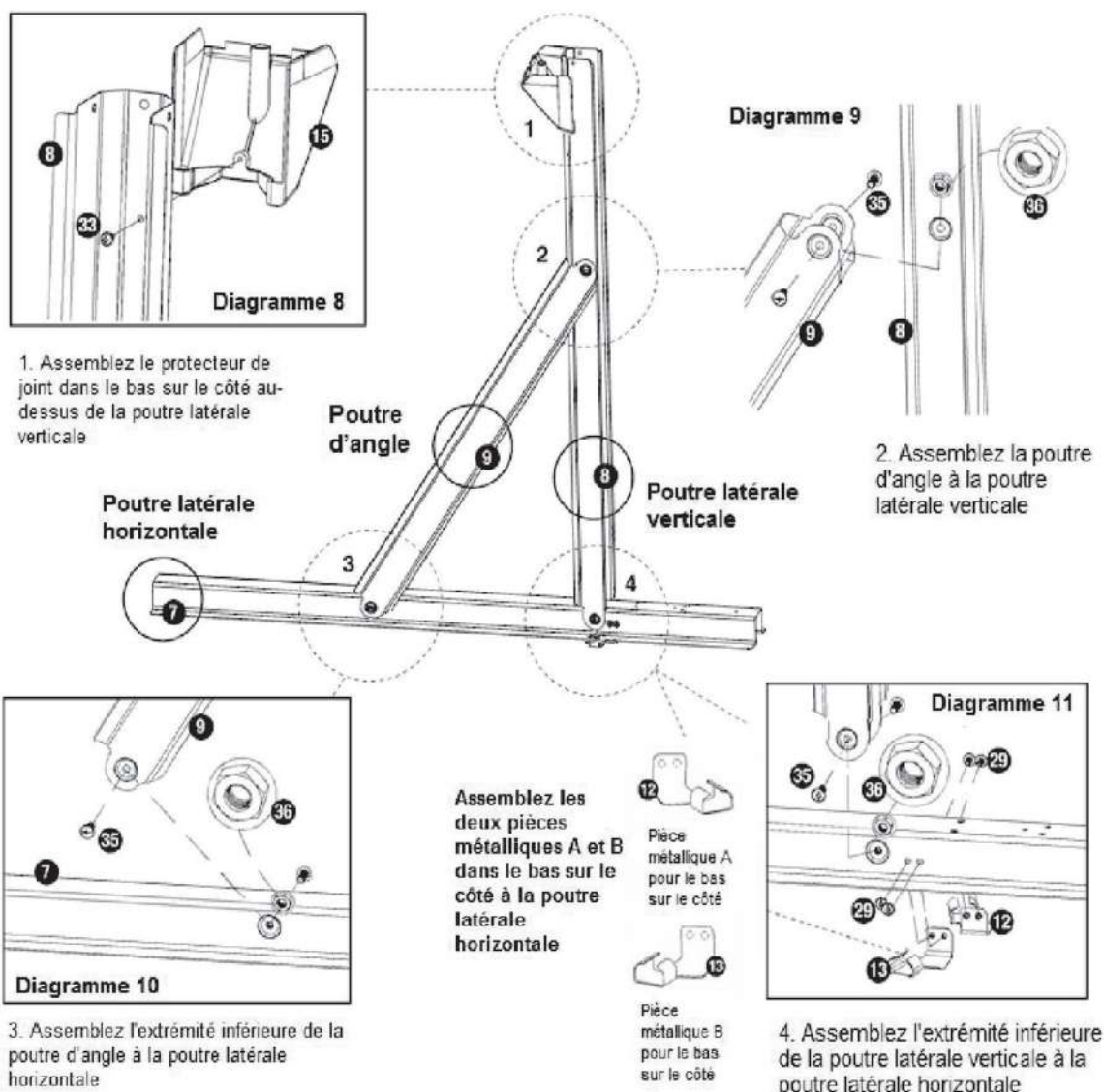
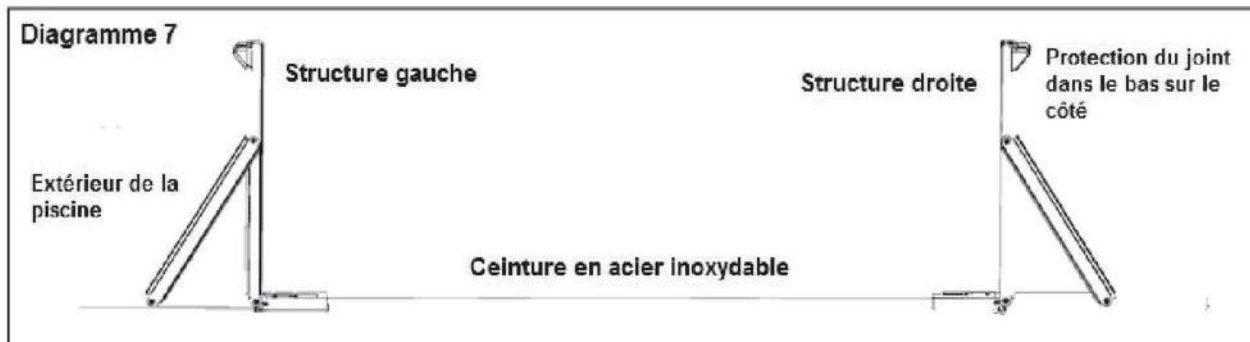


Diagramme 6



# Assemblage du support pour la structure latérale de la paroi de la piscine

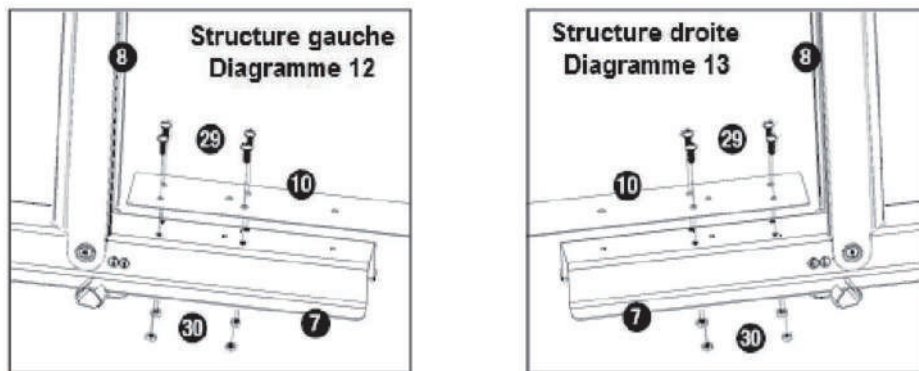
Le support de la structure latérale de la paroi de la piscine comprend une structure gauche et une structure droite assemblées par une ceinture en acier inoxydable (voir diagramme 7)



## ASSEMBLAGE DU SUPPORT POUR LA STRUCTURE LATÉRALE DE LA PAROI DE LA PISCINE

1. Assemblez la ceinture en acier à l'extrémité des structures gauche et droite de la piscine (voir les diagrammes 12 et 13).

**Assurez-vous que la ceinture en acier est protégée par le manchon en PVC qui se trouve dans le paquet. Cela va protéger le liner de la piscine de toute détérioration.**



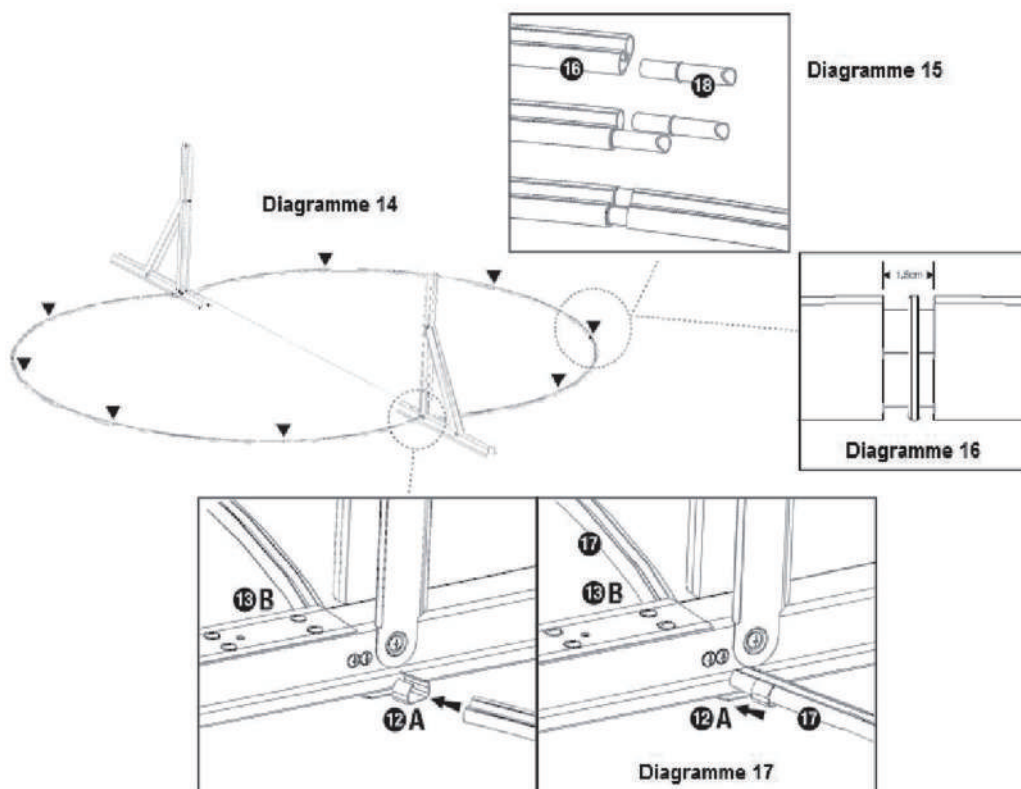
## RAIL POUR LA PAROI DE LA PISCINE ET INSTALLATION DU CONNECTEUR POUR LE RAIL

1. Placez la structure latérale gauche et droite de la paroi au milieu de la zone préparée (voir diagramme 14).

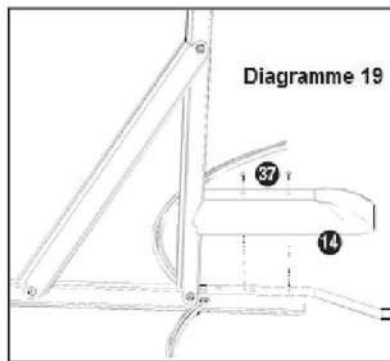
2. Positionnez les rails autour de la zone où la piscine doit être installée (voir diagramme 14).

3. Assemblez les rails en utilisant 2 connecteurs de rails par rail (voir diagramme 15) et laissez un espace de 1,5 cm entre chaque raccordement (voir diagramme 16).

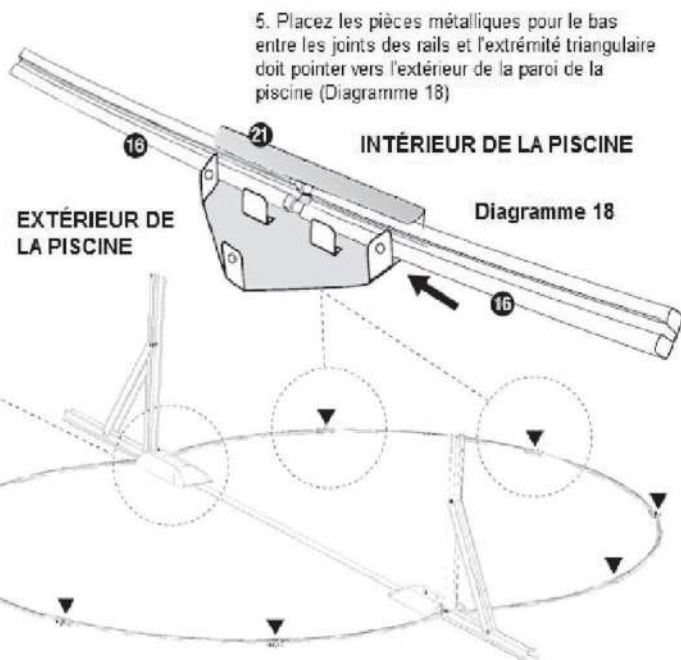
4. Assemblez les rails latéraux aux pièces métalliques A et B pour le bas sur le côté de chaque côté des supports de la structure de la paroi de la piscine (voir diagramme 17).



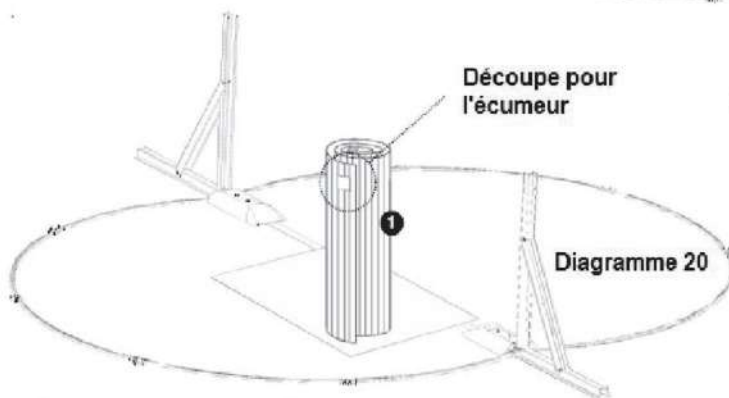
# Assemblage du produit



6. Placez la protection pour le bas à l'intérieur sur la ceinture en acier et vissez-la dans la poutre latérale horizontale. Remarque : Assurez-vous que le manchon en PVC couvre la ceinture en acier pour empêcher la détérioration ou la rouille qui pourrait endommager la piscine (Diagramme 19).



5. Placez les pièces métalliques pour le bas entre les joints des rails et l'extrémité triangulaire doit pointer vers l'extérieur de la paroi de la piscine (Diagramme 18)



**AVERTISSEMENT** : portez des gants de protection lorsque vous manipulez la paroi métallique

le côté entre le trou dans le rail latéral. Assurez-vous que l'emplacement préparé n'est pas soumis à des vents constants. Continuez à dérouler la paroi et à placer le bas de la paroi de la piscine dans les rails sur toute la longueur de la paroi de la piscine (Voir diagramme 21)

7. Placez la paroi métallique de la piscine avec le trou de l'écumeur sur le dessus, sur une pièce en carton, du bois, ou un revêtement en tissu pour protéger le sol nivelé pendant l'installation. Remarque : Positionnez la découpe pour l'écumeur de la paroi de la piscine au même endroit que votre alimentation électrique pour raccorder le système de filtrage (Diagramme 20)

8. Reposez l'extrémité de la paroi de la piscine dans la pièce métallique pour le bas sur le côté entre le trou dans le rail latéral. Assurez-vous que l'emplacement préparé n'est pas soumis à des vents constants. Continuez à dérouler la paroi et à placer le bas de la paroi de la piscine dans les rails sur toute la longueur de la paroi de la piscine (Voir diagramme 21)

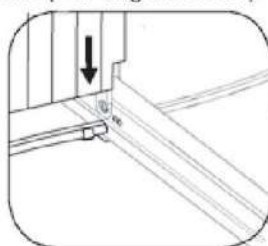
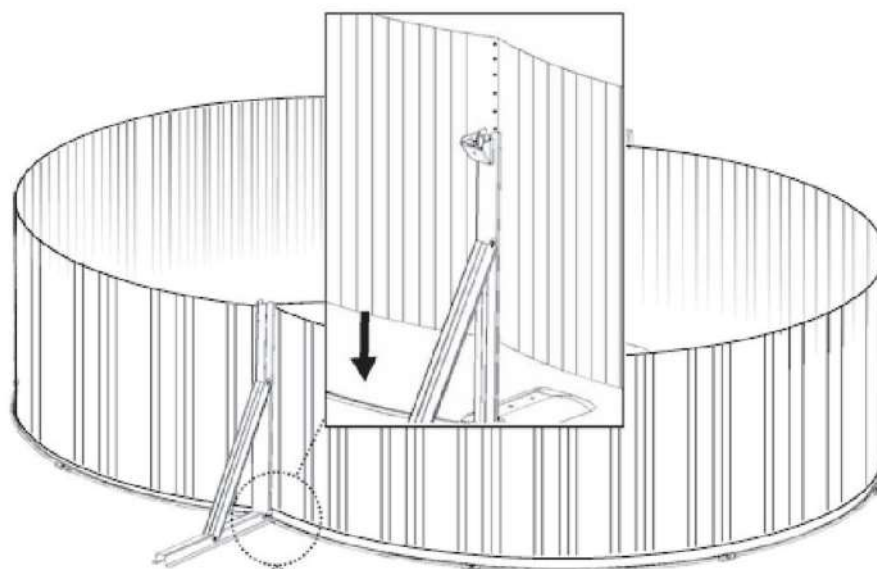


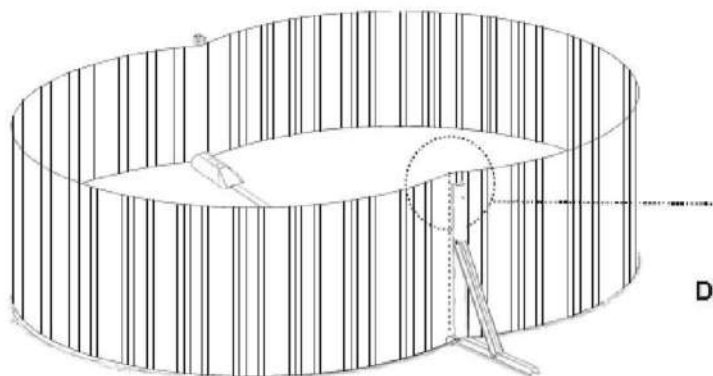
Diagramme 21

9. Du côté opposé de la paroi de la piscine, soulevez prudemment et placez la paroi en acier entre la structure de support latérale et la protection dans le bas à l'intérieur.

Remarque ! Une section de la paroi de la piscine est découpée et va permettre à la paroi de venir se fermer sur la poutre de support horizontale (voir diagramme 22).



10. Alignez les deux extrémités de la paroi de la piscine et commencez ensuite à insérer et à visser manuellement chaque boulon et chaque écrou sur toute la longueur du joint. (Voir diagramme 23). Ne serrez pas entièrement les boulons avant d'avoir vérifié que les parois se trouvent à l'emplacement correct, au niveau correct et qu'il n'y a pas de détérioration au niveau de la paroi de la piscine. Remarque : À cette étape, il est recommandé d'assembler l'échelle pour la placer au-dessus de la paroi de la piscine et pour accéder à l'intérieur et à l'extérieur des zones de la piscine.



**Diagramme 23**



**AVERTISSEMENT !** Une piscine qui n'est pas à niveau est très dangereuse et peut s'effondrer à tout moment

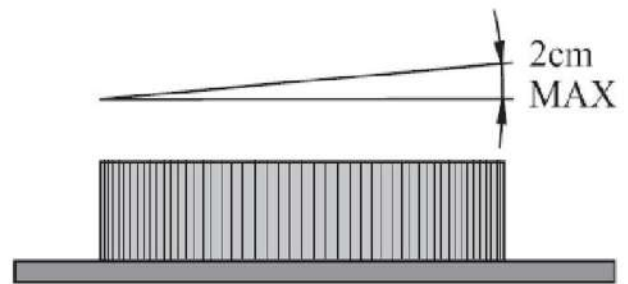


Diagramme 24

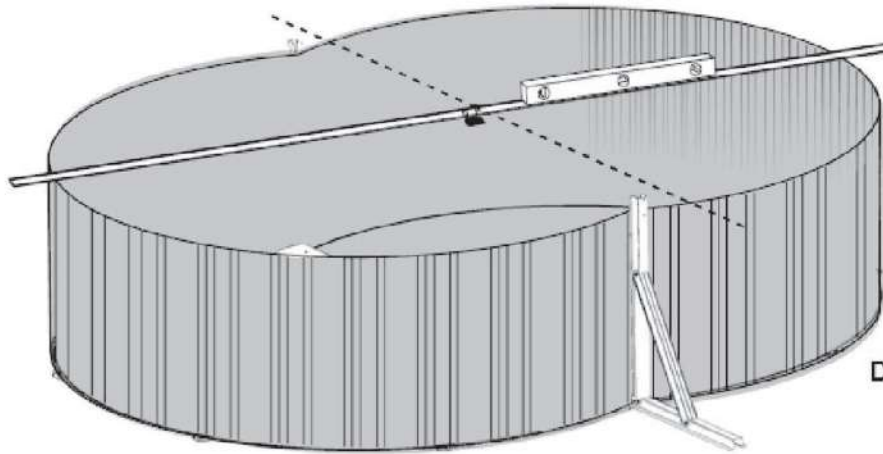


Diagramme 25

Vérifiez le niveau de la paroi de la piscine en plaçant une longueur de poutre en bois ou un élément similaire à travers le diamètre de la paroi de la piscine et en plaçant le niveau au-dessus de la poutre en bois (voir diagramme 24). Si la déviation est supérieure à 2 cm (voir diagramme 25), alors le site doit à nouveau être mis à niveau. Vérifiez également si la paroi de la piscine est ovale et mesurez le diamètre au niveau de plusieurs endroits pour vous assurer que les différences de chaque diamètre mesurés se trouvent dans une tranche de 2 cm. Si les niveaux ne correspondent pas aux spécifications, la zone devra à nouveau être mise à niveau.

Avertissement ! Essayez de ne pas endommager l'un des composants lorsque vous démontez la paroi de la piscine pour corriger le niveau du sol. Dès que les mesures et les niveaux sont corrects et que tous les écrous et boulons sont serrés, recouvrez alors les têtes des vis avec la bande autoadhésive (voir les diagrammes 26 et 27).

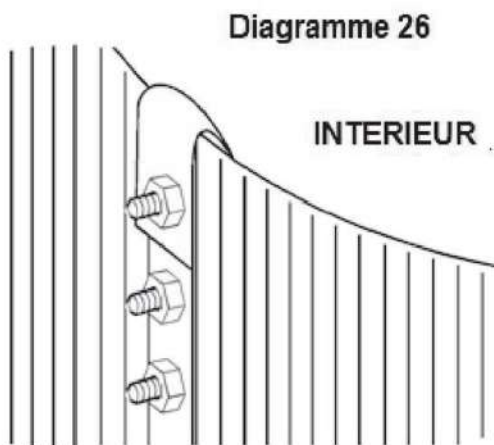


Diagramme 26

INTERIEUR

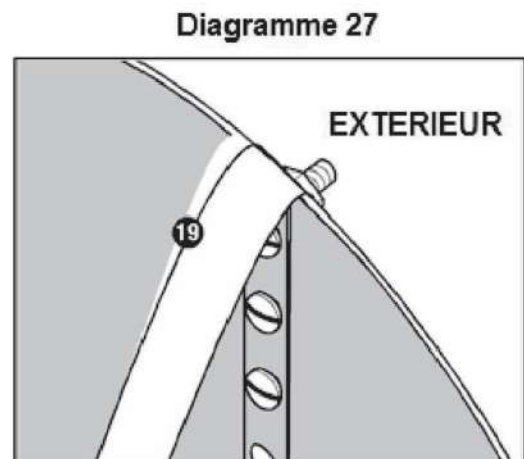
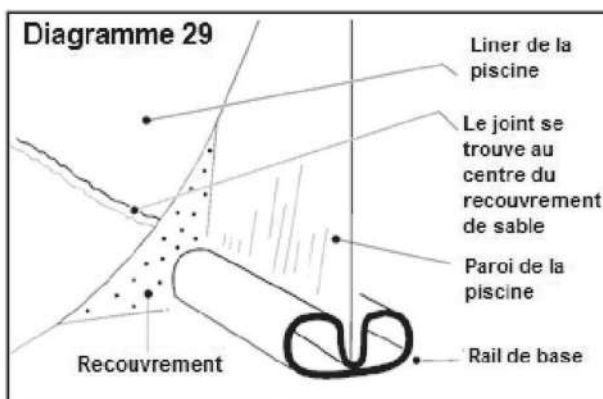
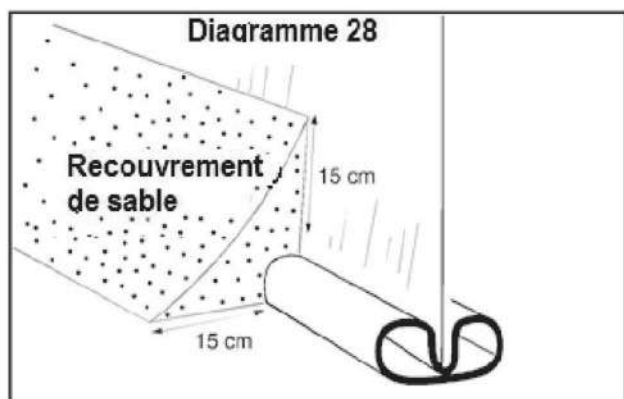


Diagramme 27

EXTERIEUR

Placez la bande auto-adhésive sur les têtes des vis exposées pour les sceller

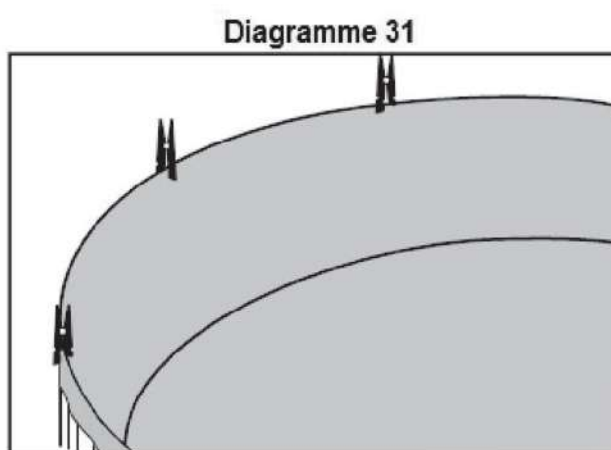
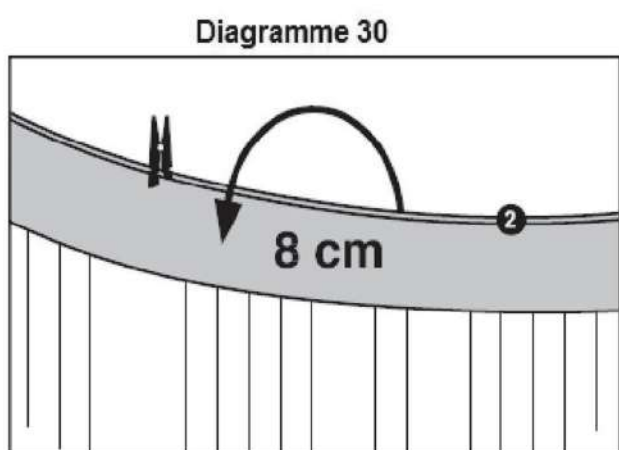
## RÉALISATION D'UN COUSSIN DE SABLE DE PROTECTION AU PIED DE LA PAROI INTÉRIÈRE DE LA PISCINE



Afin de protéger le liner contre le rail et la paroi de la piscine, il est recommandé de créer une couverture de protection réalisée en sable fin au pied de la paroi de la piscine (Voir diagrammes 28 et 29). La taille devrait être de 15 cm de hauteur sur 15 cm de largeur, afin de sceller complètement le rail, mais de ne pas altérer le liner de la piscine.

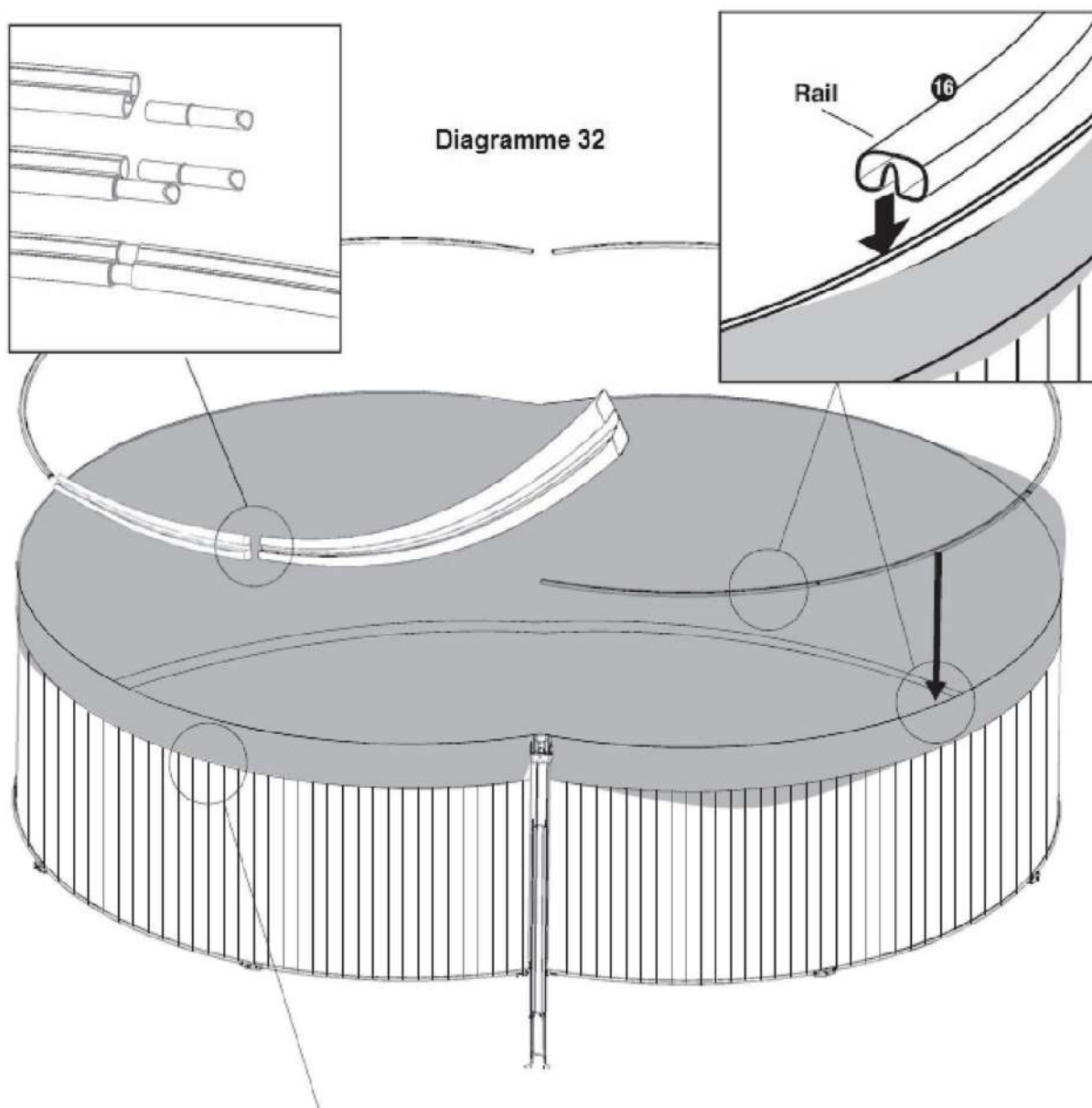
### INSTALLATION DU LINER DE LA PISCINE EN PVC

Installez le liner en PVC lors d'une journée chaude et ensoleillée, de préférence lorsqu'il fait plus de 22 ° C. Déballez le liner en PVC et laissez-le au soleil pendant 2 heures. Cela va permettre d'adoucir le PVC. Si la température est inférieure à 16 °C, le liner en PVC va être dur et rigide et vous éprouverez quelques difficultés à le manipuler. Mettez le liner au centre de la piscine à l'intérieur de la paroi de la piscine. Répartissez-le uniformément jusqu'à ce que la couture arrive à la base de la piscine où vous avez réalisé un recouvrement de protection en sable. Effacez doucement toutes les rides au niveau du liner. Redressez le liner en PVC et maintenez-le perpendiculaire par rapport au sol. Passez le liner de la piscine au-dessus de la paroi de la piscine. Il devrait y avoir un chevauchement de 8 cm sur la hauteur de la paroi de la piscine (voir diagrammes 30 et 31). Maintenez le chevauchement en place avec des pinces à linge.



Vérifiez si le liner de la piscine est placé uniformément autour du périmètre. Pliez uniformément la longueur excessive du PVC si vous estimez que c'est un peu lâche. Vérifiez si le chevauchement est uniforme. Si le liner de la piscine est légèrement trop court, vous devrez alors le laisser et vice-versa. Remplissez la piscine avec 3 à 5 cm de hauteur d'eau pour lisser le liner contre la paroi de la piscine. Vérifiez si l'eau est à niveau. Si ce n'est pas le cas, il y a eu un problème et vous devrez enlever le liner et la paroi de la piscine pour avoir accès au terrain et pour mettre le terrain à niveau.

Enlevez une cheville à la fois tout en installant les rails supérieurs (voir diagramme 32).  
Glissez les connecteurs de conduits dans une extrémité du rail supérieur, raccordez ensuite un autre rail supérieur, continuez sur toute la circonférence jusqu'à ce que tous les rails supérieurs soient réunis et fermement placés sur le dessus de la paroi de la piscine.



**AVERTISSEMENT :** Ne découpez pas le chevauchement excédentaire du liner de la piscine. Si vous le découpez, vous ne saurez plus réinstaller votre piscine par la suite

**Fixez tous les rails supérieurs sur le dessus de la paroi de la piscine et assurez-vous qu'ils sont tous correctement mis en place**

2021 - 2022



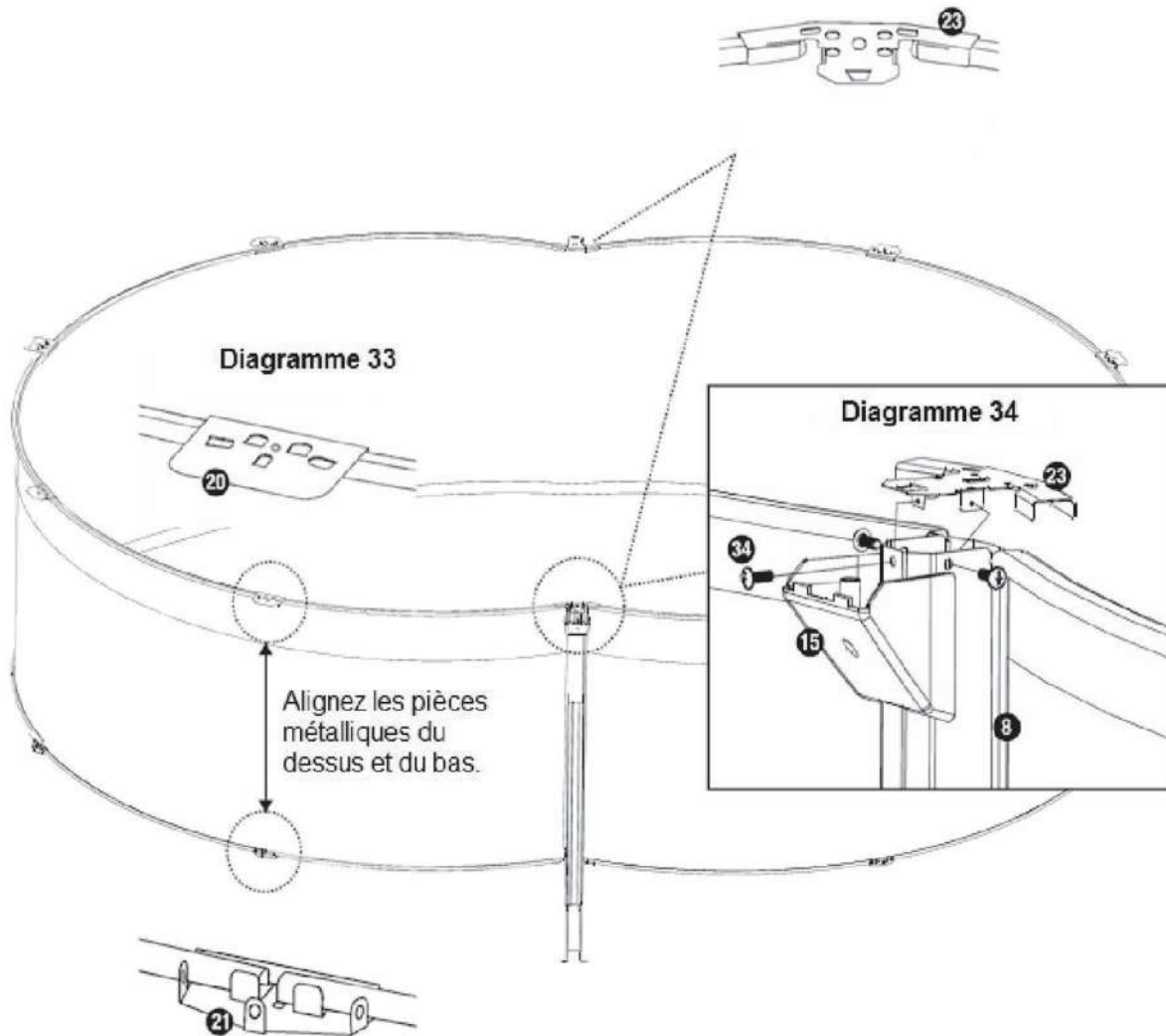
## INSTALLATION DES PIÈCES MÉTALLIQUES SUR LE DESSUS ET LES CÔTÉS

Crochetez les pièces métalliques sur le dessus sur le rail du dessus entre les raccordements de rails et alignez-les avec les pièces métalliques du bas

(Voir le diagramme 33)

Placez les pièces métalliques latérales sur le dessus des poutres latérales verticales et des rails et vissez-les pour les mettre en place.

(Voir le diagramme 34)



## INSTALLATION DES PIÈCES MÉTALLIQUES SUR LE DESSUS ET LES CÔTÉS

Placez les deux plates-formes latérales du dessus sur le dessus des rails et alignez les trous sur la pièce métallique latérale du dessus. En utilisant quatre boulons, des rondelles, des rondelles Grower, attachez les plates-formes latérales du dessus sur la pièce métallique latérale du dessus et serrez uniquement manuellement. Placez une plate-forme du dessus sur l'extrémité de l'une des plates-formes latérales du dessus et attachez-la en utilisant quatre boulons, des rondelles, des rondelles Grower et des écrous. Continuez ce processus jusqu'à ce que toutes les plates-formes du dessus et les plates-formes latérales du dessus soient attachées à l'ensemble des pièces métalliques du dessus et des pièces métalliques latérales du dessus. (Voir les diagrammes 35, 36 et 37)

Vérifiez l'alignement, mais ne serrez pas l'ensemble.

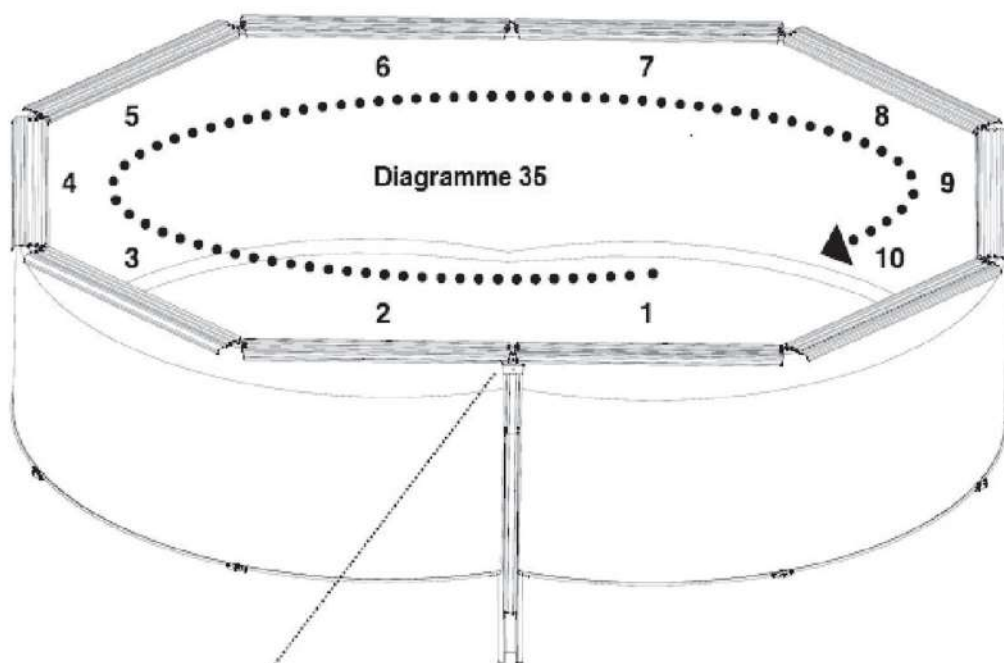
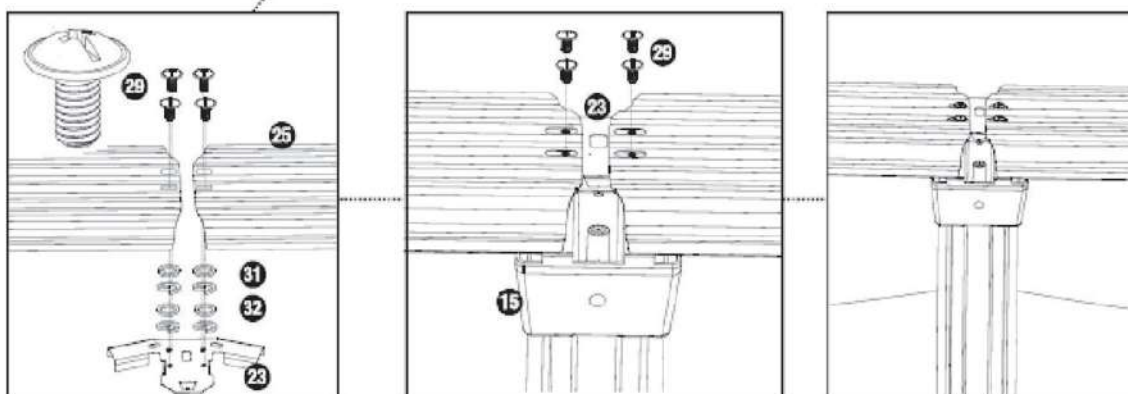
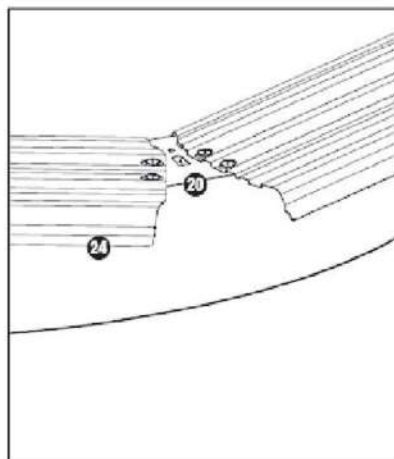
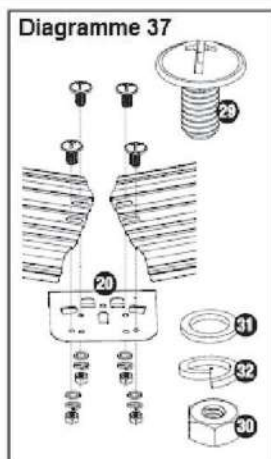


Diagramme 36



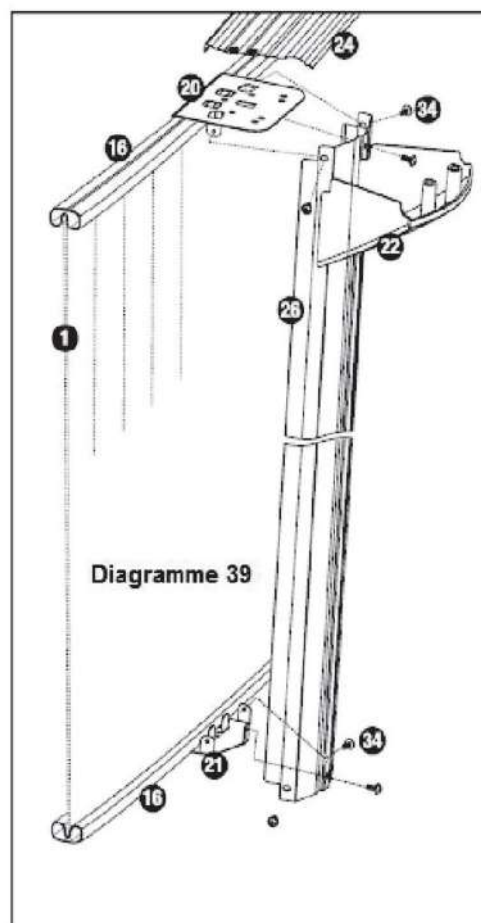
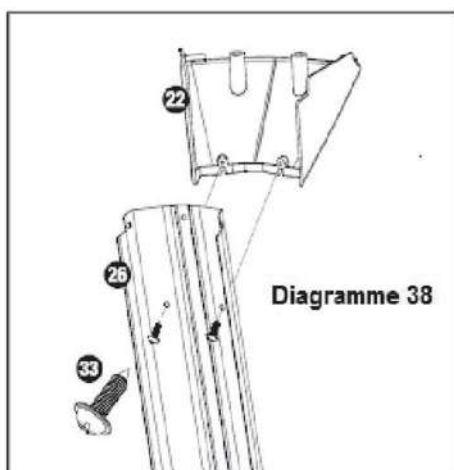
La plate-forme latérale du dessus 1, 2, 6 et 7 telle que présentée au diagramme 35



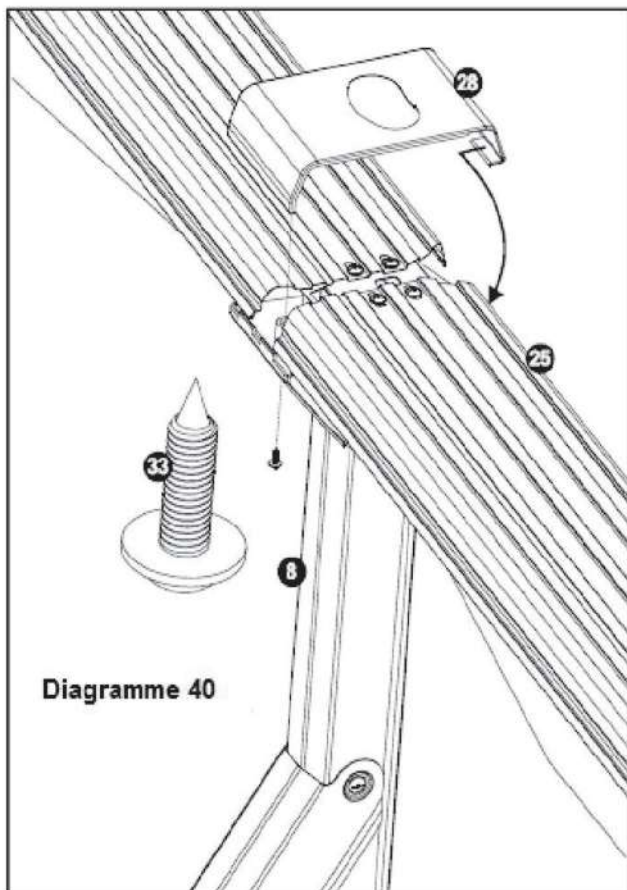
La plate-forme du dessus 3, 4, 5, 8, 9 et 10 telle que présentée au diagramme 35

#### ASSEMBLAGE DES SUPPORTS VERTICAUX

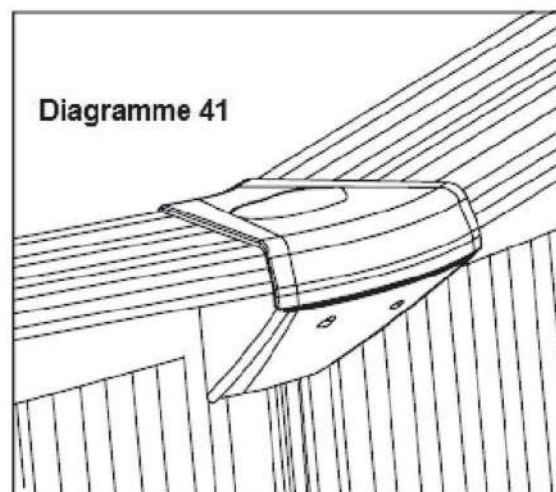
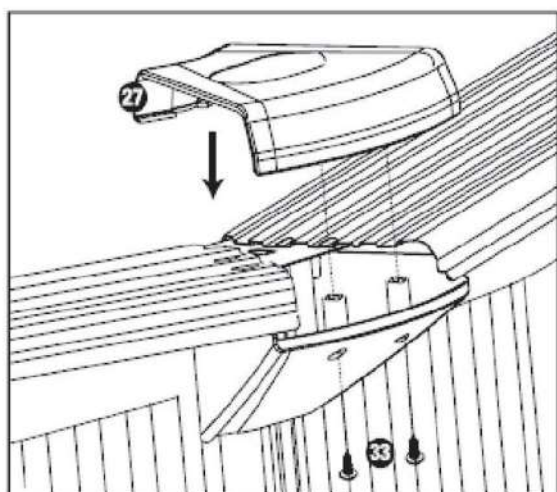
Attachez le protecteur du joint dans le bas au support vertical en utilisant les vis fournies (voir le diagramme 38). Alignez tous les trous des vis des supports verticaux avec les pièces métalliques du dessus et du bas. Fixez le support vertical sur les pièces métalliques du dessus et du bas et vissez à la main. Continuez ce processus tout autour de la piscine jusqu'à ce que l'ensemble des supports verticaux soit attaché. Vérifiez et ajustez l'alignement des supports verticaux pour garantir qu'ils sont bien verticaux et droits, ensuite faites le tour de la piscine et serrez toutes les vis sur le dessus et dans le bas (voir diagramme 39)



# Fixation des protecteurs des joints



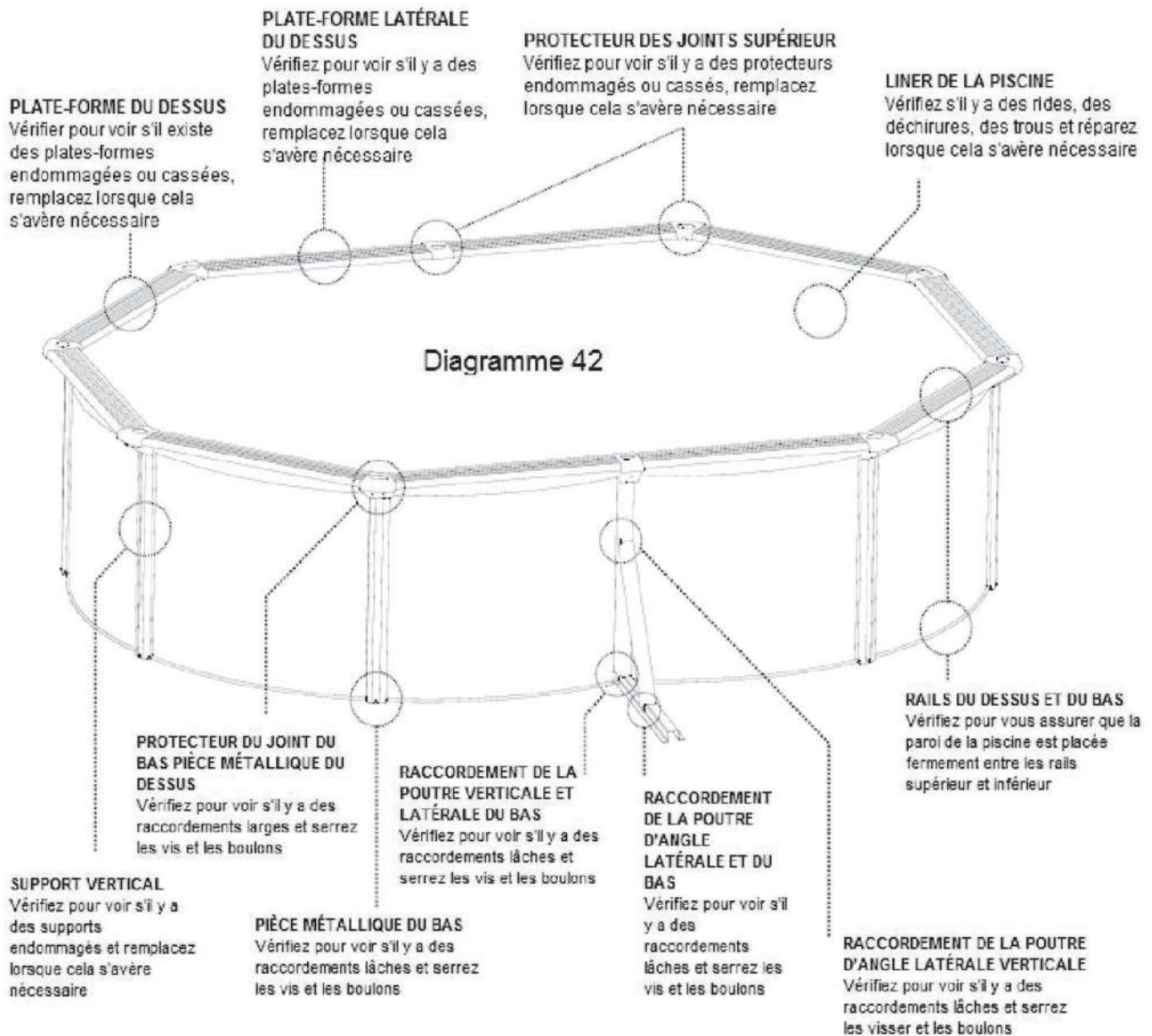
Attachez l'extrémité qui ne se visse pas du protecteur latéral des joints sur le joint de la plate-forme latérale du dessus et vissez l'autre extrémité en place. De la même manière, attachez les protecteurs de joints pour les plates-formes du dessus et vissez-les en place. Ne serrez pas de trop ! (Voir diagrammes 40 et 41)





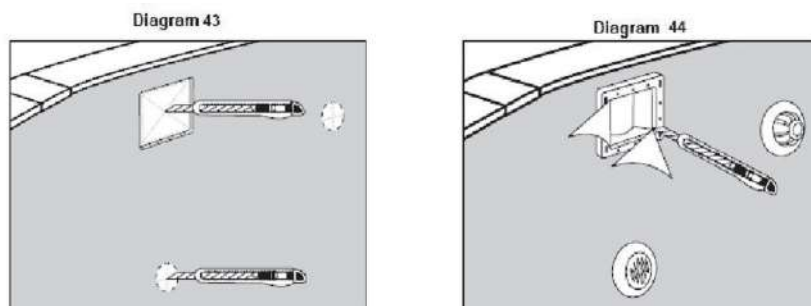
# Vérification de tous les raccordements et joints

Lorsque vous avez terminé, vérifiez tous les raccordements et serrez les vis et les boulons qui ne sont pas assez serrés, mais n'exagérez pas. Remplacer les composants endommagés et réparez toutes les déchirures, les éraflures et les trous avec les patches de réparation. (Voir le diagramme 42)



# Fixation de l'écumeur

Déballez votre sortie, votre entrée et le boîtier de votre écumeur du carton. Veuillez lire attentivement le mode d'emploi de l'écumeur avant de commencer à monter la sortie, l'entrée et le boîtier de l'écumeur sur la paroi de la piscine. Marquez la position du trou en découpant une croix au centre de l'ouverture. Laissez un petit chevauchement autour du bord. En utilisant un couteau bien aiguisé, enlevez le reste du liner de l'intérieur du boîtier de l'écumeur et des ouvertures pour l'alimentation et la sortie (voir les diagrammes 43 et 44)



**Avertissement !** Si vous découpez plus que nécessaire, cela va endommager le liner de la piscine, donc veuillez procéder en faisant très attention. Suivez le mode d'emploi pour le boîtier de l'écumeur pour installer le kit de raccordement d'alimentation et de sortie ainsi que le boîtier de l'écumeur sur la paroi de la piscine. Veuillez enlever prudemment tous les éléments qui dépassent du liner à l'intérieur des raccordements après l'installation.

**Avertissement !** N'endommagez pas l'intérieur du boîtier de l'écumeur et des raccordements d'entrée et de sortie avec le couteau.

## REPLISSAGE DE LA PISCINE AVEC DE L'EAU

Avant de remplir la piscine avec de l'eau, vérifiez minutieusement s'il y a des vis, des trous ou des déchirures dans le liner. Remplissez la piscine jusqu'à la moitié de l'ouverture du boîtier de l'écumeur ou jusqu'au niveau d'eau maximum ou à minimum de 15 cm du dessus de la paroi de la piscine (voir diagramme 45) pour vous assurer que l'eau entre dans l'ouverture du boîtier de l'écumeur.

**Avertissement !** Pour éviter l'effondrement, ne laissez jamais la piscine sans eau à l'intérieur de celle-ci.



**Avertissement !** La pompe du filtre doit être déconnectée s'il y a des nageurs dans la piscine ! Suivez les instructions d'assemblage dans le mode d'emploi relatif à la pompe du filtre pour le sable.

# Entretien de la piscine

1. Faites en sorte que votre piscine reste toujours propre et utilisez les produits chimiques corrects pour la piscine. Une eau qui n'est pas propre représente un danger grave pour la santé.
2. Conservez le niveau de pH de votre piscine entre 7,2 et 7,6.
3. Demandez d'abord des conseils à vos vendeurs si vous désirez modifier le système de filtres.
4. Nettoyez régulièrement le liner en PVC avec des brosses non abrasives ou un aspirateur Venturi.
5. Faites fonctionner votre système de filtre au moins un jour avant d'utiliser la piscine. Laissez-lui suffisamment de temps pour garantir que l'eau de la piscine est complètement filtrée avant la première utilisation.
6. Assurez-vous que le niveau de l'eau se trouve à 15 cm du dessus de la piscine.

## **SÉCURITÉ GÉNÉRALE RELATIVE À L'EAU**

**NE LAISSEZ PAS LES ENFANTS SANS SURVEILLANCE LORSQU'ILS SONT À PROXIMITÉ DE L'EAU.**

**ASSUREZ-VOUS D'AVOIR UNE CLÔTURE AUTOUR DE LA PISCINE QUI EST CORRECTEMENT INSTALLÉE ET QUI FONCTIONNE CORRECTEMENT.**

**APPRENEZ LES PREMIERS GESTES DE RÉANIMATION.**

Veillez lire ces recommandations aussi souvent que possible avant d'utiliser votre piscine avec des enfants ! La sécurité de vos enfants en dépend ! Les accidents n'arrivent pas qu'aux autres, ils peuvent impliquer vos enfants si vous ne les surveillez pas étroitement et constamment. Préparez-vous mentalement à faire face à toute situation qui peut arriver afin d'être en mesure d'apporter une aide et une assistance adéquates

La surveillance des enfants doit être étroite et constante.

Il ne peut y avoir qu'un seul superviseur de la sécurité.

Renforcez la supervision lorsqu'il y a plusieurs utilisateurs de la piscine.

Faites en sorte d'avoir des bouées personnelles disponibles (pour les personnes qui ne savent pas nager)

Apprenez à vos enfants à nager le plus tôt possible.

Mouillez-vous le cou, les bras et les jambes avant d'entrer dans l'eau.

Assurez-vous d'être formé au niveau des techniques de réanimation, particulièrement celles qui concernent les enfants.

Interdisez aux jeunes enfants de plonger ou de sauter dans la piscine.

Interdisez les courses et les jeux dangereux dans la piscine.

N'autorisez pas les enfants qui ne savent pas nager à rentrer dans la piscine sans gilet de sauvetage ou brassards, et sans la supervision d'un adulte.

Les brassards ne se substituent pas à la surveillance d'un adulte.

Ne laissez pas des jouets à proximité ou dans la piscine sans surveillance.

Faites toujours en sorte que l'eau soit propre et saine.

Rangez les produits du traitement de l'eau hors de portée des enfants.

Faites en sorte qu'il y ait toujours un téléphone à proximité de la piscine afin de ne pas laisser les enfants seuls dans la piscine lorsque vous êtes au téléphone.

Gardez toujours la balise de la piscine du côté de la piscine.

Gardez la barrière de la piscine fermée lorsque la piscine n'est pas occupée.

Installez et sécurisez la couverture de la piscine lorsque vous n'utilisez pas celle-ci.

Si possible, utilisez une alarme électronique de la piscine qui peut détecter la chute d'une personne dans la piscine.

**LA SURVEILLANCE ÉTROITE DES ENFANTS PAR UN ADULTE EST INDISPENSABLE.**

Si un accident survient :

Sortez immédiatement l'enfant de l'eau.

Appelez immédiatement le 000 pour obtenir de l'assistance et suivez les conseils qui vous sont donnés.

Réalisez immédiatement les techniques de réanimation si l'enfant ou l'adulte ne respire pas. Reportez-vous au graphique pour ce faire.

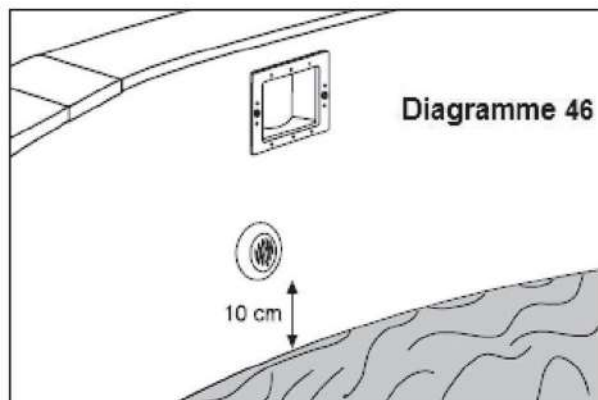
Les instructions de réanimation sont également reprises sur la paroi de la piscine.



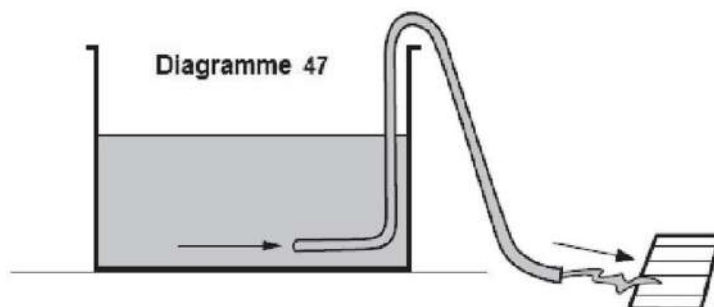
# Rangement pour l'hiver

Si vous ne désirez pas démonter la piscine en hiver, veuillez respecter les instructions suivantes :

1. N'enlevez pas toute l'eau de la piscine. Si vous le faites, la piscine pourrait s'effondrer.
2. Traitez l'eau de la piscine avec un produit chimique adéquat.
3. Drainez l'eau 10 cm en dessous de la valve de sortie située dans la paroi de la piscine. Vous pouvez utiliser une pompe ou un tuyau d'arrosage (voir diagramme 46)



4. Plongez le tuyau dans l'eau jusqu'à ce que l'eau le recouvre complètement, sortez une extrémité du tuyau et l'eau va commencer à s'évacuer automatiquement (voir le diagramme 47)



5. N'utilisez pas l'eau dans le jardin étant donné que cette eau sera traitée avec des produits chimiques pour piscine.
6. Fermez le trou de la valve de retour avec un bouchon. Vous pouvez en obtenir auprès des vendeurs de piscine.
7. Enlevez le système de filtrage de la piscine et supprimez l'eau située à l'intérieur du système de filtrage. Vous pouvez laisser les entrées/sorties attachées à la piscine. Rangez le système de filtrage dans un endroit sec. De préférence dans son carton d'emballage.
8. Enlevez également tous les autres accessoires pour piscine et rangez-les dans un endroit propre et sec.
9. Protégez la piscine avec la couverture de la piscine. Sécurisez la couverture avec des câbles et fixez-les tout autour de la piscine.

## MISE EN PLACE DES AUTOCOLLANTS AVEC LE LOGO SUR LA PAROI DE LA PISCINE

1. Enlevez le support papier de l'autocollant.
2. Alignez l'autocollant au milieu de la paroi.
3. Placez l'autocollant sur la paroi et bien appuyer.

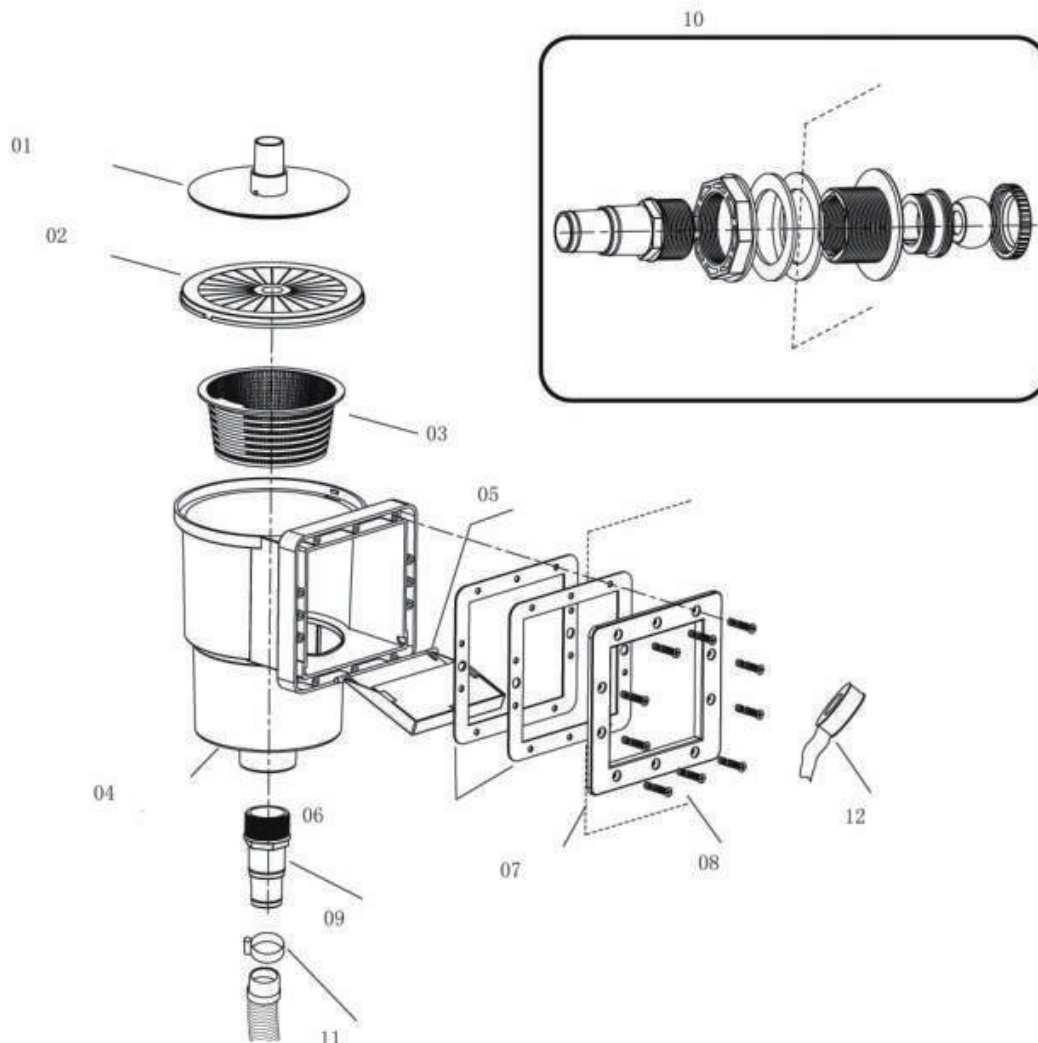
2021 - 2022

N°	Nom	Nombre
01	Plaque d'aspiration	1
02	Couvercle de l'écumoire	1
03	Panier de l'écumoire	1
04	Boîtier de l'écumoire	1
05	Clapet de l'écumoire	1
06	Joint de l'écumoire	1
07	Bride de l'écumoire	1
08	Vis de l'écumoire (ST5x24)	10
09	Pièce de raccordement pour le tuyau	1
10	Buse d'entrée	1
11	Colliers de serrage	2
12	Ruban en Téflon	1

Placez le joint à lèvres sur l'évidement de l'écumoire. Faites attention sur les vissages de la bride !

Prenez la bride de l'écumoire et insérez une vis en haut à gauche et une à droite. Maintenant, trouvez avec la main les deux ouvertures dans le liner et les trous correspondants dans la paroi en acier et trouez celles-ci avec une pointe. Insérez les deux vis avec la bride de l'écumoire et le joint d'étanchéité de l'intérieur vers l'extérieur. Maintenant, fixez avec les deux vis le boîtier de l'écumoire à l'extérieur de la paroi de la piscine.

Par la suite, percez les trous restants dans le liner, insérez les vis et vissez-les avec le boîtier de l'écumoire. Veillez à ce que les joints de l'écumoire soient montés tout autour uniformément.



2021 - 2022



1298\_69125 STAHLWANDPOOL HOLZOPTIK-4.90×3.60×1.20m



1298\_80748 STAHLWANDPOOL HOLZOPTIK-6.10×3.60×1.20m

DEUTSCH

2021 - 2022



# ACHTUNG !

Um das Risiko für schwere Verletzungen oder Tod zu vermindern, sollten Sie sich an diese Vorschriften halten:

## WICHTIGE SICHERHEITSANWEISUNGEN

Die folgenden Anweisungen enthalten wichtige Sicherheitsinformationen. Wir empfehlen Ihnen diese wichtigen Sicherheitshinweise zu lesen und einzuhalten, wenn Sie den Premium Pool mit Metallwänden verwenden. Bei der Montage und Verwendung dieser elektrischen Geräte sollten immer die grundlegenden Sicherheitsvorkehrungen eingehalten werden. Dazu gehören die folgenden.



### ACHTUNG !

**ES SIND BEREITS KINDER IN MOBILEN SCHWIMMBÄDERN ERTRUNKEN. SORGEN SIE JEDERZEIT FÜR AKTIVE AUFSICHT DURCH ERWACHSENE. LASSEN SIE KINDER NIE UNBEAUFICHTIGT IN ODER IN DER UMGEBUNG DES POOLS. SIE SOLLTEN IN REICHWEITE SEIN**

**FÜR DIESEN POOL GELTEN DIE VORSCHRIFTEN ZUR EINZÄUNUNG VON POOLS. WENDEN SIE SICH AN IHRE LOKALE BEHÖRDE UM DIE INZÄUNUNGSANFORDERUNGEN ZU ERFAHREN.**

**ACHTUNG: WÄHLEN SIE KEINEN BEREICH MIT KIKUYU-, KUTCH- ODER NUSSGRASWURZELBEWUCHS. DIESE PFLANZEN KÖNNEN DEN POOLINNENHÜLLE DURCHDRINGEN, WODURCH DIE GARANTIE VERFÄLLT.**

## LESEN UND BERÜCKSICHTIGEN SIE ALLE VORSCHRIFTEN

- ANMERKUNG - Untersuchen Sie alles vor Verwendung. Rufen Sie 1800 451 190 an, wenn Sie bei Ankauf beschädigte oder fehlende Teile feststellen sollten. Montieren Sie die Geräte nicht und verwenden Sie sie nicht, bevor die Teile ersetzt wurden.
- ACHTUNG- Wenden Sie sich an Ihren Gemeinderat, die staatlichen Behörden oder die Wasserbehörde betreffend der Verwendung von Wasser und/oder Wassereinschränkungen für dieses Produkt.
- ACHTUNG- Dieses Produkt unterliegt den Vorschriften zur Pooleinzäunung, wenden Sie sich an den Gemeinderat oder die staatlichen Behörden.
- ACHTUNG - Wasser ist für Kinder besonders interessant. Entfernen Sie immer die Poolleiter, wenn der Pool nicht benutzt wird. Lagern Sie sie für Kinder unzugänglich.
- GEFAHR - Vermeiden Sie das Risiko von versehentlichem Ertrinken. Es sollte besonders darauf geachtet werden, dass Kinder keinen unbefugten Zutritt haben. Um Unfälle zu vermeiden, sollten Sie sicherstellen, dass Kinder den Pool nur unter ständiger Aufsicht eines Erwachsenen verwenden können.
- ACHTUNG - LASSEN SIE KINDER NIE UNBEAUFICHTIGT!  
STROMSCHLAGRISIKO. Schließen Sie die Filterpumpe nur an einen geerdete Steckdose an, die mit einem Fehlerstromschutzschalter gesichert ist. Nur ein qualifizierter Elektriker sollte den Schutzschalter installieren. Dieser sollte einen maximalen Bemessungsfehlerstrom von 30mA haben.
- ACHTUNG - Sie sollten jederzeit wissen, wo der Trennschalter für Ihre Pumpe ist, damit Sie sie im Notfall ausschalten können. Der Trennschalterstecker des Schutzschalters sollte nach Installation des Pools zugänglich bleiben.

ACHTUNG - Schließen Sie die Filterpumpe nie mit einem Verlängerungskabel an einer Stromquelle an. Das könnte das Filterpumpensystem beschädigen.

# 2021 - 2022



# ACHTUNG !

Um das Risiko für schwere Verletzungen oder Tod zu vermindern, sollten Sie sich an diese Vorschriften halten:

- ACHTUNG - um Stromschläge zu vermeiden, sollten innerhalb eines Radius von 2,5 Metern um den Pool keine elektrischen Geräte anwesend sind, z.B. Beleuchtung, Telefon, Radio, Fernseher, Fön usw.
- ACHTUNG - STROMSCHLAGRISIKO. Betreiben Sie keinerlei Elektrogeräte, wenn Sie sich im Pool aufhalten oder Ihr Körper nass ist.
- ACHTUNG - Zur Verminderung des Risikos für Verletzungen oder Gefahren sollten alle beschädigten Kabel sofort vom Hersteller, seinem Wartungsdienst oder einer anderen befugten Person ausgetauscht werden.
- ACHTUNG - Vergraben Sie das Stromkabel nicht. Verwenden Sie keine Rasenmäher, Heckenschneider und andere Gartengeräte in der Nähe oder um den Pool mit Metallwänden und die Stromkabel.
- ACHTUNG - Schwimmen oder baden Sie NIE im Pool wenn es regnet oder gewittert oder wenn das Risiko auf Blitzeinschlag in der Nähe des Pools besteht.
- ACHTUNG - Gestatten Sie NIE Unfug, Tauchen oder Springen in oder um den Pool mit Metallwänden. Betreten Sie den Pool nie über Stapel oder erhöhte Oberflächen; der Wasserstand des Pools ist untief. Es könnte zu Verletzungen, Lähmungen oder Tod führen.
- ACHTUNG - Es wird empfohlen bei der Montage des Pools Handschuhe zu tragen.



**KEIN TAUCHEN**



**KEIN SPRINGEN**



**KEINE GENEIGTE  
FLACHE**



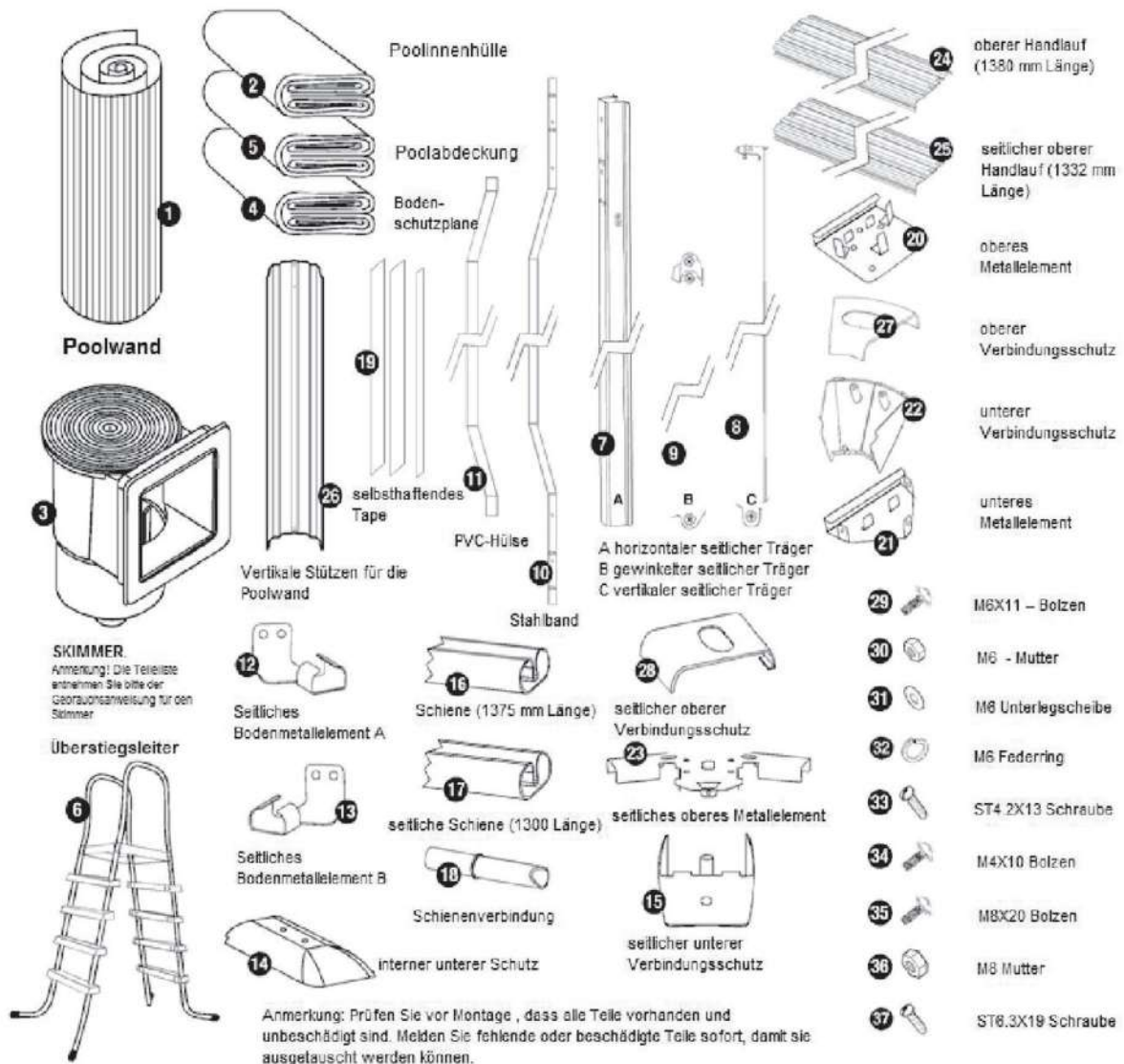
**NUR UNTER  
FACHKUNDIGER  
AUFSICHT**

**BEWAHREN SIE DIESE ANWEISUNGEN!**

# 2021 - 2022

# INHALT

Bodenmatte ist obligatorisch und in der Lieferung enthalten  
 Reparatur-Set für Poolfolie ist inklusiv. Das Set enthält Klebstoff und 2 Beschichtungen



2021 - 2022



# Einen geeigneten Standort auswählen

Wählen Sie den Standort für Ihren neuen Pool sorgfältig aus. Das ist die wichtigste Entscheidung, die Sie treffen müssen um die Sicherheit und den Erfolg Ihrer Poolkonstruktion sicher zu stellen. Ein nicht geeigneter Standort kann später zu Problemen führen, die in Verletzungen, Tod oder finanziellen Verlusten resultieren. Lesen Sie sorgfältig die nachfolgende Kontrollliste, wenn Sie den Standort auswählen.

## Akzeptabel:

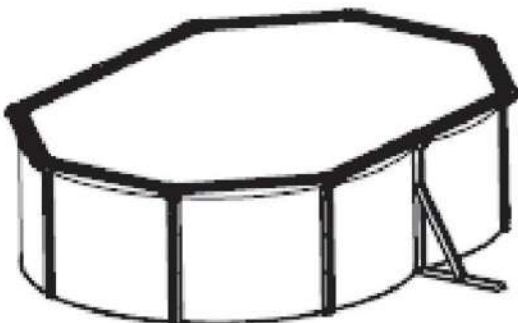
Ebener, flacher, stabiler und trockener Boden, einfach zugänglich von allen Seiten des Pools. Direktes Sonnenlicht, vorzugsweise morgens. Sicherer Stromzugang für Filterpumpe und anderes Poolzubehör. Wasseranschluss. Windgeschützt.

## Erforderliches Werkzeug:

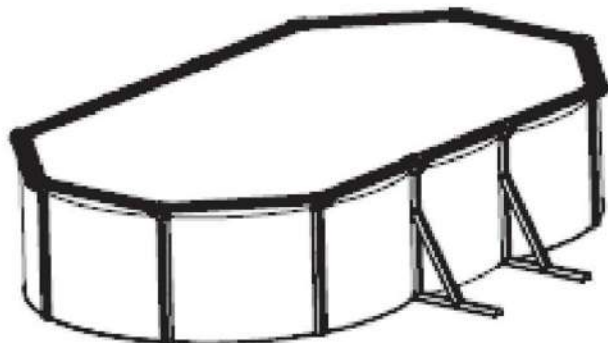
- Kreuzschlitzschraubenzieher
- Kleiner Hebel
- Wäscheklammern
- Wasserwaage
- Scharfes Messer
- Grabwerkzeug
- Schutzhandschuhe

## Nicht akzeptabel:

- Schräger Boden
- Beton, Asphalt, sandiger Kies und sumpfiger Boden
- In der Nähe von Holzkonstruktionen z.B. Pergolas und Dächer
- In der Nähe von sommergrünen oder Laubbäumen
- Unter Kabeln und Wäscheleinen
- Entwässerung, Stromkabel oder Gasleitungen unter dem Standort
- Schlechte oder wenig Entwässerung oder Standort mit hohem Überströmungsrisiko
- Starker Wind



1298\_69125  
4.9×3.6×1.2m(16'×12'×48'')



1298\_80748  
6.1×3.6×1.2m(20'×12'×48'')



# Aufbau des Pools

## Kennzeichnen des Standorts

1. Kennzeichnen Sie die Mitte des Standorts und schlagen Sie einen Stab oder einen Schraubenzieher in den Boden (siehe Abbildung 1)
2. Binden Sie ein Stück Bindfaden an den Stab. Binden Sie einen Trichter an das andere Ende des Bindfadens. Die Entfernung zwischen Stab und Trichter sollte 15 cm mehr als der Radius des Pools sein. (siehe Abbildung 2)
3. Geben Sie Mehl, Kreidestaub oder Kalk in den Trichter und zeichnen Sie einen Kreis um den Stab. Wenn der kleinste Durchmesser 360 cm ist, sollten die zwei Kreise einen Durchmesser von 390 cm haben. (Siehe Abbildung 3).

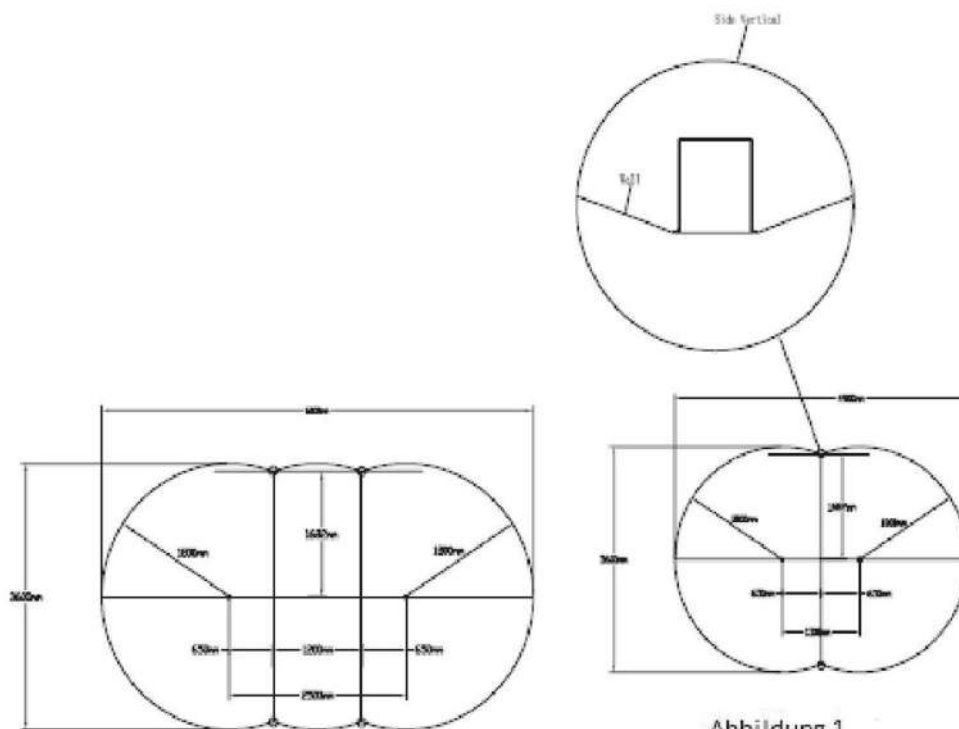


Abbildung 2

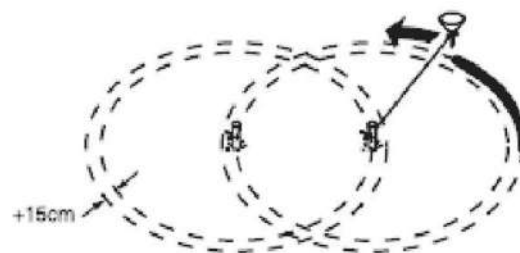


Abbildung 3

# Planieren des Standorts

**Achtung! Das Ausgleichen des Bodens ist besonders wichtig:** nehmen Sie sich ausreichend Zeit um einen Standort zu erarbeiten, der vollständig flach und eingeebnet ist.

Verwenden Sie eine Wasserwaage und einen Richtscheit um sicherzustellen, dass der Standort vollkommen flach, eben und stabil ist! (siehe Abbildung 4) Der Pool enthält eine große Wassermenge und wiegt damit Tausende Kilogramm. Sollte der Pool aufgrund eines unebenen Untergrunds zusammenbrechen, kann das zu Sachschäden und sogar Körperverletzung oder Tod führen!

Beseitigen Sie eher höhere Stellen als tiefer liegenden Boden aufzufüllen (siehe Abbildung 5).

Achtung! Entfernen Sie immer Gras und Steine innerhalb des Kreises.

Wenn Sie Kutch- oder Kukuyu-Gras entfernen, sollten Sie immer die Bodenabdeckung verwenden um zu verhindern, dass das Gras den Poolinnenhülle durchdringt und Schaden anrichtet.

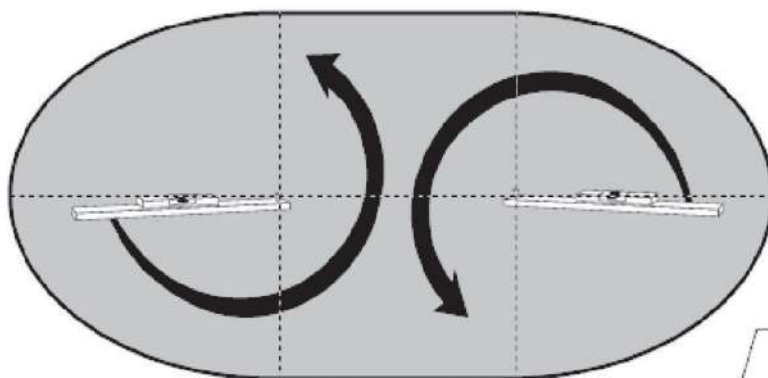


Abbildung 4

Abbildung 5

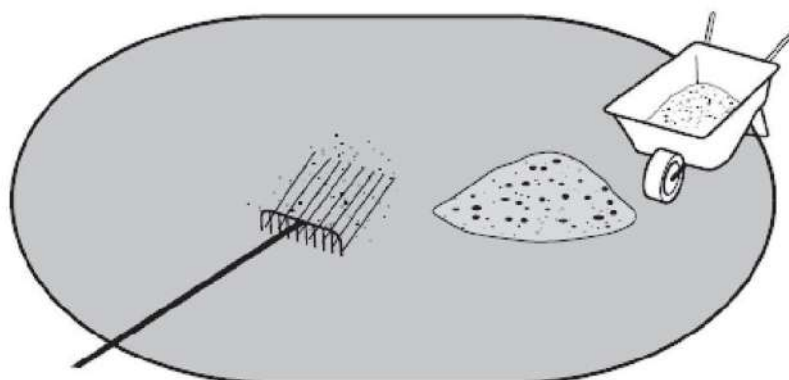
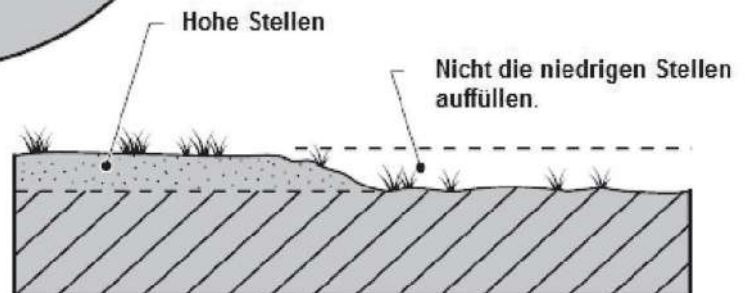
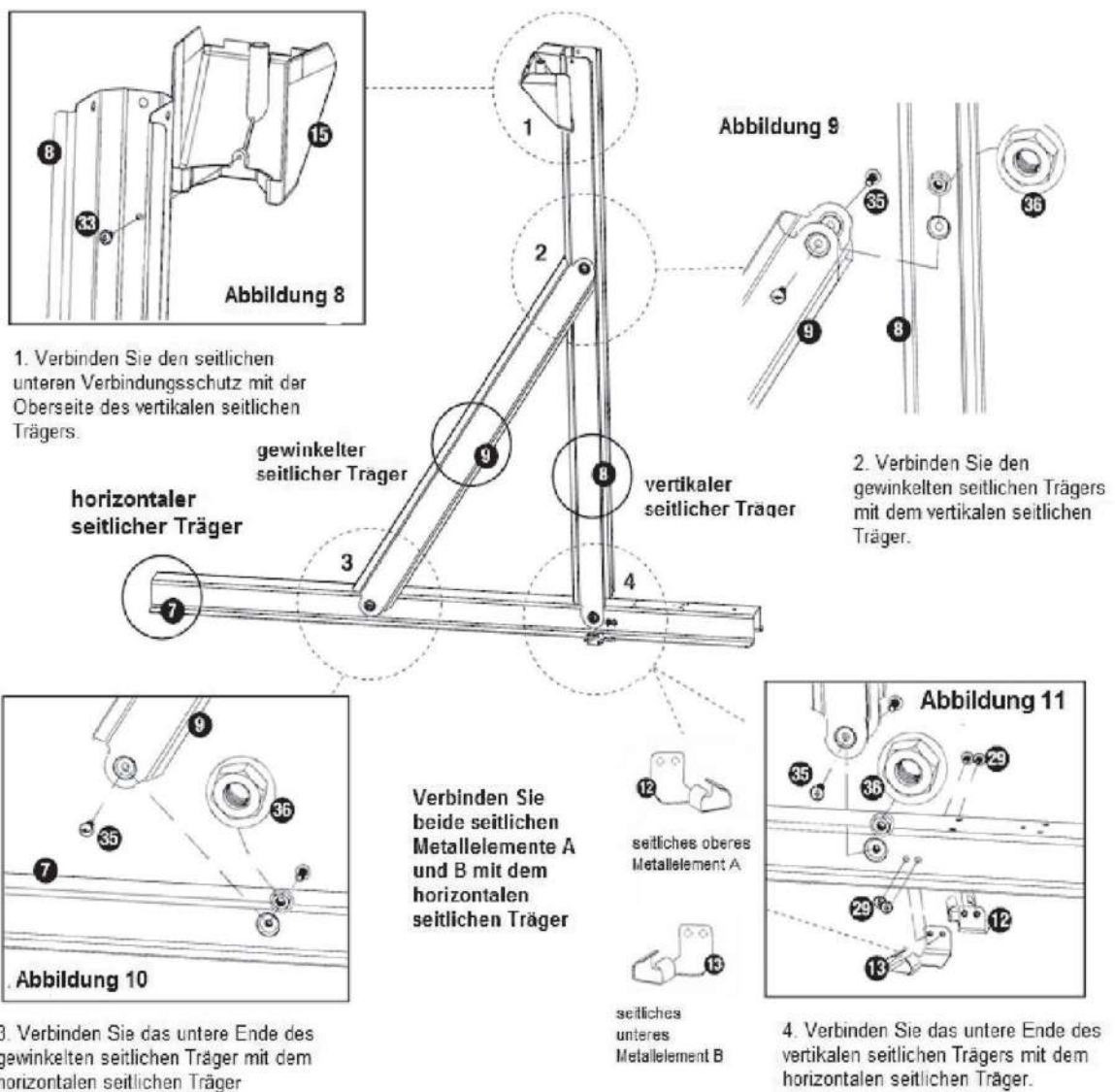


Abbildung 6

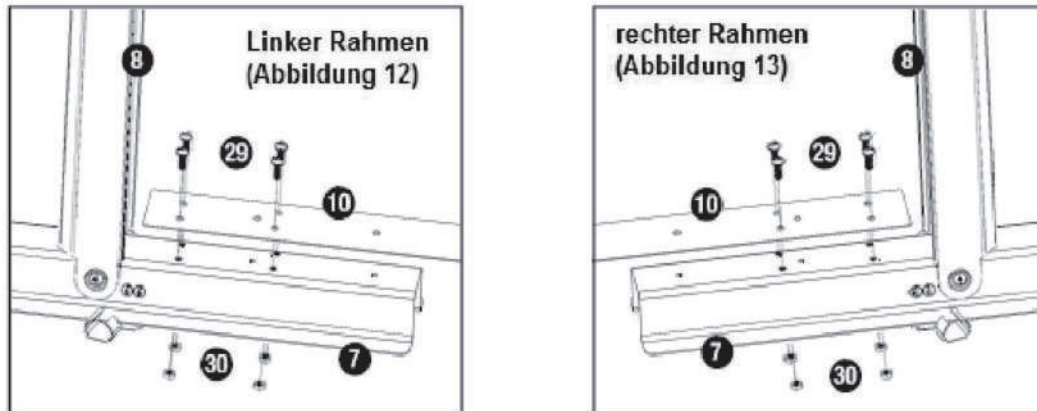
# Montage des seitlichen Rahmens der Poolwand

Die seitliche Rahmenstütze der Poolwand besteht aus einem linken und rechten Rahmen, der mit einem Edelstahlband verbunden wird. (siehe Abbildung 7)



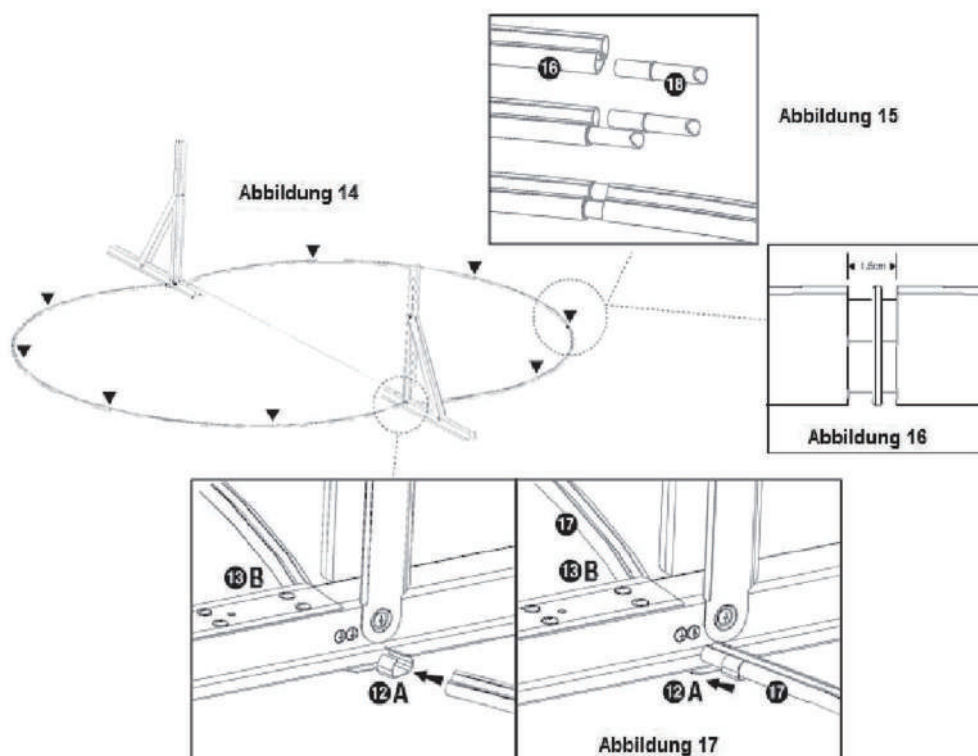
## MONTAGE DES SEITLICHEN RAHMENS DER POOLWAND

1. Verbinden Sie das Stahlband mit jedem Ende des linken und rechten seitlichen Poolrahmens. (Siehe Abbildung 12 und 13). **Stellen Sie sicher, dass das Stahlband von der PVC-Hülle geschützt ist, die mitgeliefert wird.** Das schützt den Poolinnenhülle vor Beschädigungen.



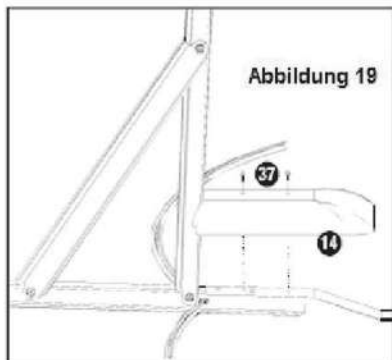
## SCHIENE DER POOLWAND UND VERBINDEN DER SCHIENE

1. Positionieren Sie den linken und rechten seitlichen Rahmen in der Mitte des vorbereiteten Bereichs (Siehe Abbildung 14).
2. Legen Sie die Schienen um den Bereich, wo die Poolwand montiert werden soll (siehe Abbildung 14)
3. Verbinden Sie die Schienen mit 2 Schienenverbindungen pro Schiene (siehe Abbildung 15) und lassen Sie zwischen jeder Verbindung 1,5 cm frei (siehe Abbildung 16).
4. Verbinden Sie die seitlichen Schienen mit dem seitlichen oberen Metallelement A und B an jeder Seite der Rahmenstützen der Poolwand (siehe Abbildung 17)

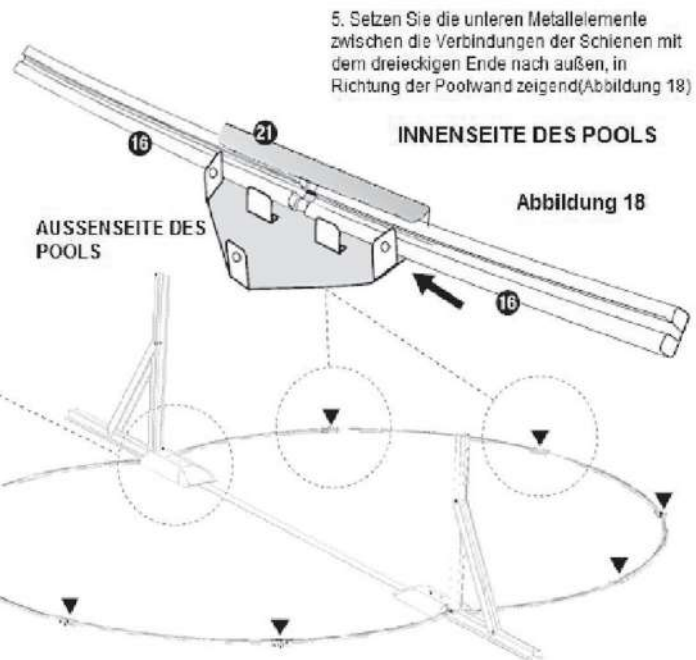


2021 - 2022

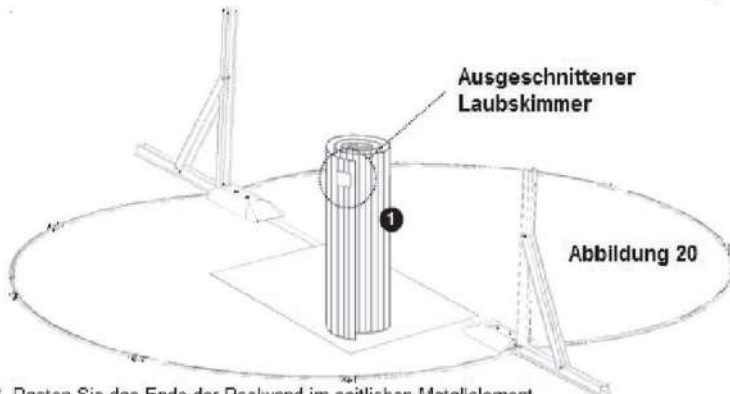
# Produktmontage



6. Montieren Sie den inneren unteren Schutz über dem Stahlband und schrauben Sie ihn in die horizontalen seitlichen Träger.  
ANMERKUNG: Stellen Sie sicher, dass die PVC-Hülle das Stahlband bedeckt um Schäden oder Rost zu vermeiden, die den Pool beeinträchtigen können (Abbildung 19)



5. Setzen Sie die unteren Metallelemente zwischen die Verbindungen der Schienen mit dem dreieckigen Ende nach außen, in Richtung der Poolwand zeigend (Abbildung 18)



8. Rasten Sie das Ende der Poolwand im seitlichen Metallelement zwischen der Öffnung in der Seitenschiene ein. Stellen Sie sicher, dass der vorbereitete Standort nicht ständiger Windbelastung ausgesetzt ist. Rollen Sie die Wand weiter aus und schieben Sie die untere Kante der Poolwand in die Schienen, bis die gesamte Länge der Poolwand in den Schienen ist (siehe Abbildung 21).



**ACHTUNG.** Tragen Sie Schutzhandschuhe, wenn Sie die Metallwand hantieren

7. Stellen Sie die Metallwand mit der Skimmeraussparung nach oben gerichtet auf ein Stück Karton, Sperrholz oder Bodenfolie um den eingeebneten Boden während der Montage zu schützen.  
ANMERKUNG: Positionieren Sie die Skimmeraussparung in der Poolwand an der Stelle, an der Ihre Stromversorgung das Filtersystem betreiben wird. (Abbildung 20).

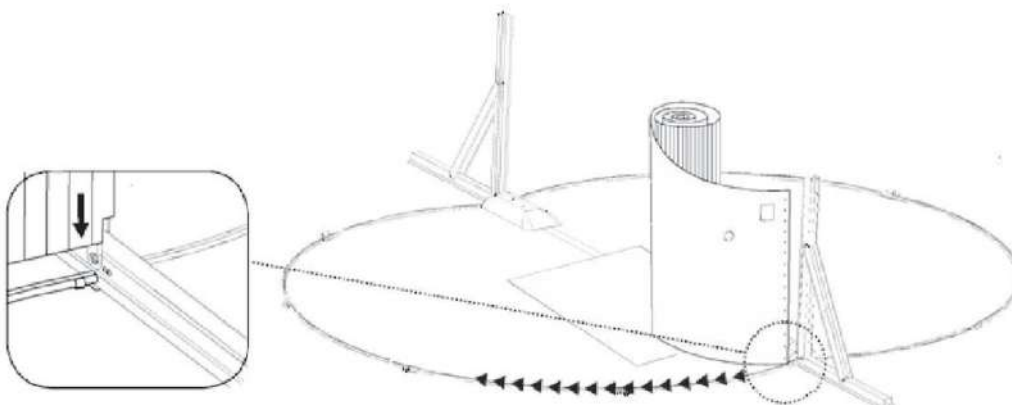
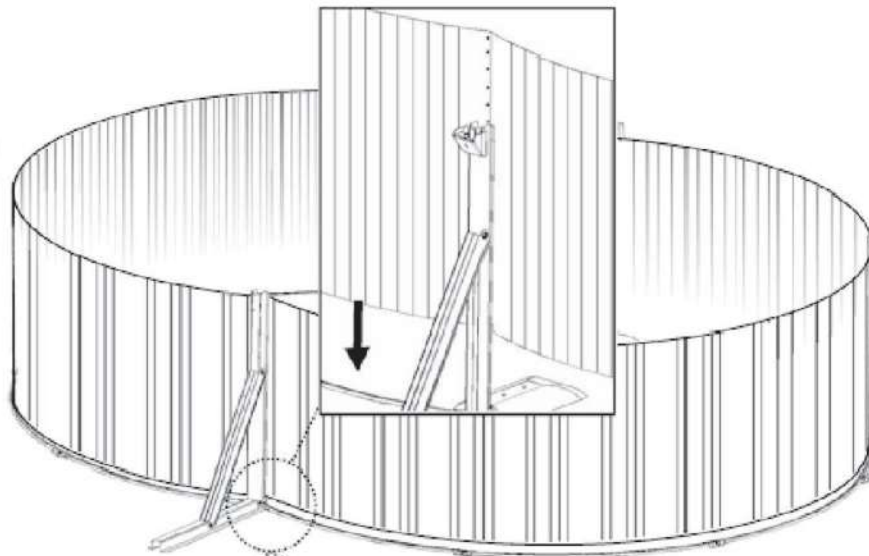


Abbildung 21

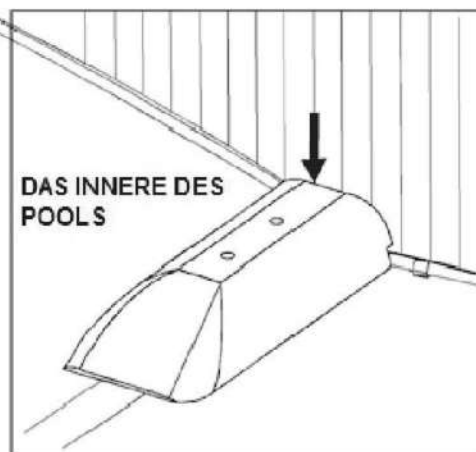
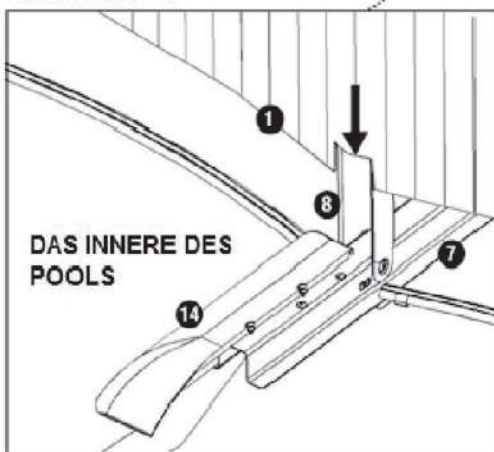
2021 - 2022



9. Heben Sie an der gegenüberliegenden Seite der Poolwand vorsichtig die Poolwand an und schieben Sie sie zwischen den seitlichen Rahmen und den inneren unteren Schutz.  
**ANMERKUNG:** Es gibt einen Ausschnitt in der Poolwand damit die Wand über den horizontalen Unterstützungsträger einrasten kann. (siehe Abbildung 22)

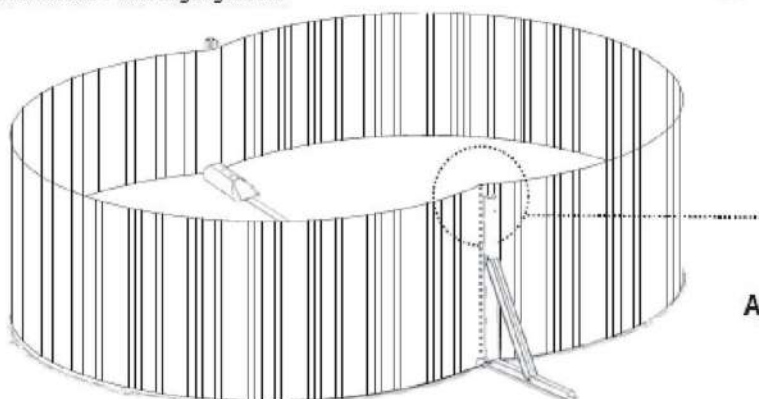
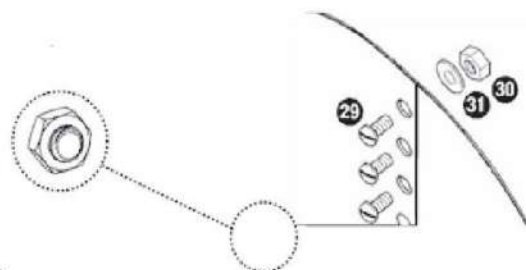


**Abbildung 22**



10. Richten Sie die beide Ende der Poolwand aus und beginnen Sie anschließend damit jeden Bolzen und jede Mutter einzuschrauben und manuell festzudrehen, bis die gesamte Länge der Verbindung montiert ist (siehe Abbildung 23). Ziehen Sie die Bolzen nicht vollständig fest, bis Sie kontrolliert haben, dass die Wand korrekt angeordnet, ausgerichtet und nicht beschädigt ist.

**ANMERKUNG:** Zu diesem Zeitpunkt wird empfohlen die Poolleiter zu montieren um sie über die Poolwand zu stellen, damit der innere und äußere Bereich des Pools zugänglich ist.



**Abbildung 23**



**ACHTUNG!** Ein Pool, der nicht horizontal steht, ist sehr gefährlich und kann jederzeit zusammenbrechen.

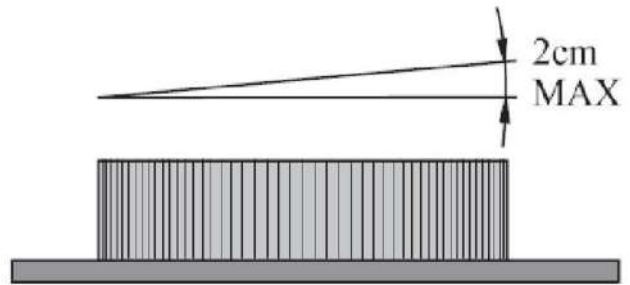


Abbildung 24

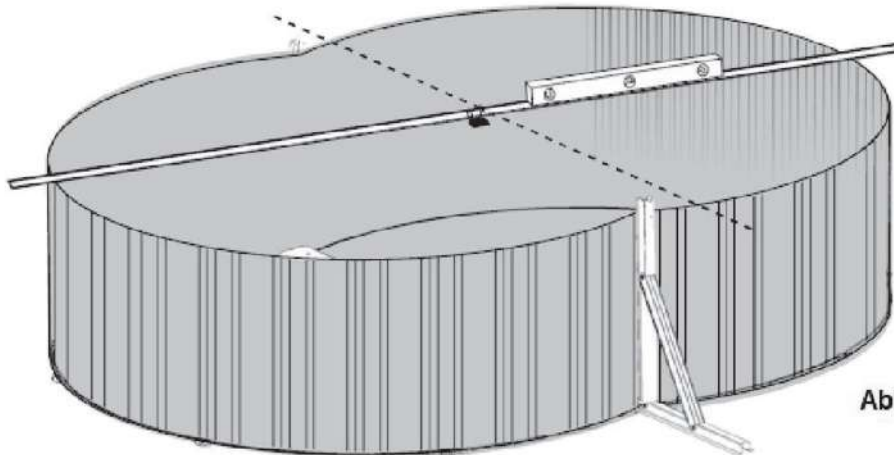


Abbildung 25

Kontrollieren Sie den Stand der Poolwand indem Sie einen langen Holzbock über den Durchmesser der Poolwand legen und die Wasserwaage auf den Holzbock halten. (Siehe Abbildung 24). Wenn die Abweichung mehr als 2 cm ist (Siehe Abbildung 25), muss der Boden erneut eingeebnet werden. Kontrollieren Sie auch, ob die Poolwand oval ist und messen Sie den Durchmesser an einigen Stellen um sicherzustellen, dass die Abweichungen bei jedem Durchmesser weniger als 2 cm sind.

Wenn die Ausrichtung nicht den Vorschriften entspricht, muss der Standort erneut eingeebnet werden.

**ACHTUNG!** Vermeiden Sie Beschädigungen der Komponenten wenn die Poolwand demontiert wird um den Untergrund erneut flach zu machen.

Wenn die Messungen und Niveaus korrekt sind und alle Muttern und Bolzen angezogen sind, bekleben Sie die freien Schraubköpfe mit dem selbstklebenden Tape (siehe Abbildung 26 und 27)

Abbildung 26

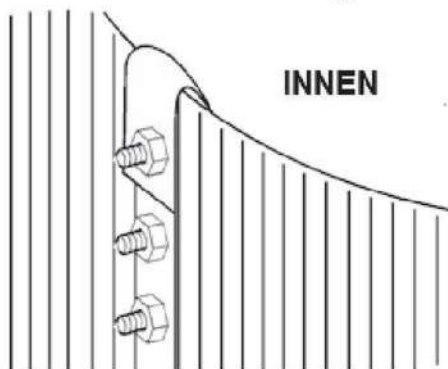
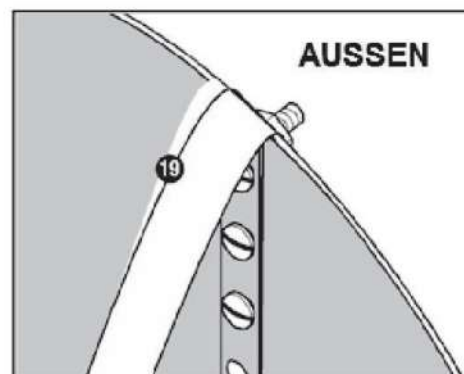
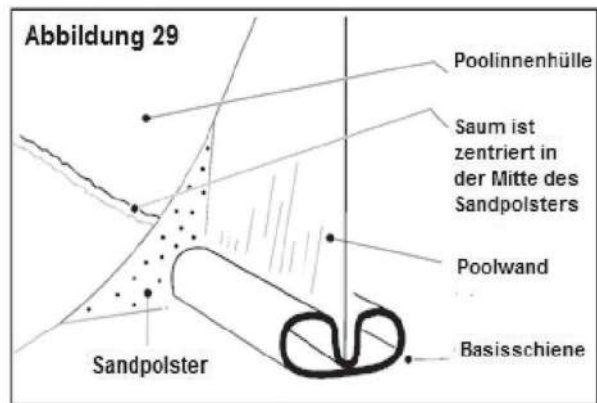
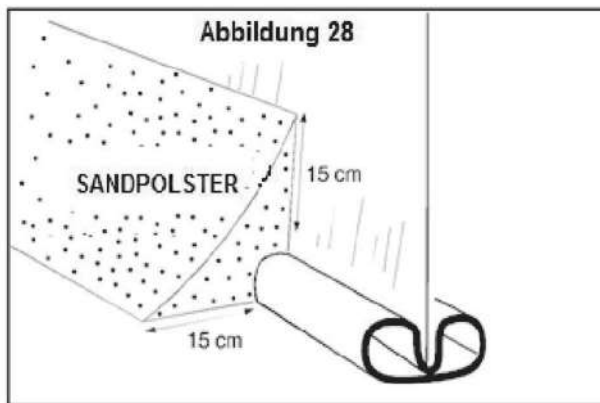


Abbildung 27



Bringen Sie auf den freien Schraubköpfen selbstklebendes Tape an um diese abzudichten

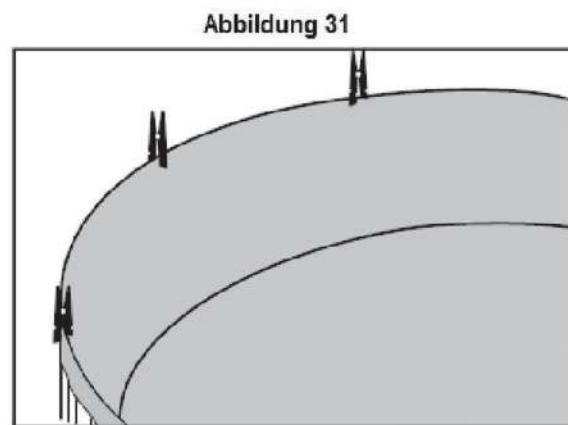
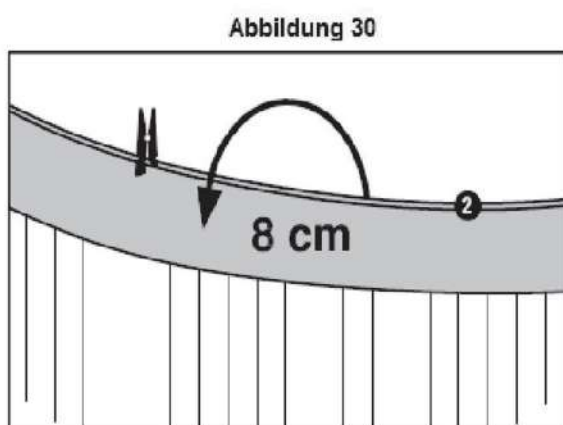
## ANLAGE EINES SCHÜTZENDEN SANDPOLSTERS AM FUSS DER INNEREN POOLWAND



Zum Schutz der Innenhülle vor der Schiene und der Poolwand wird empfohlen eine schützende Abdeckung aus feinem Ziegelmehl am Fuße der Poolwand anzulegen. (siehe Abbildung 28, 29). Die Größe sollte 15 cm H x 15 cm B sein, damit die Schiene vollständig abgedeckt ist, aber die Poolinnenhülle nicht eingedrückt wird.

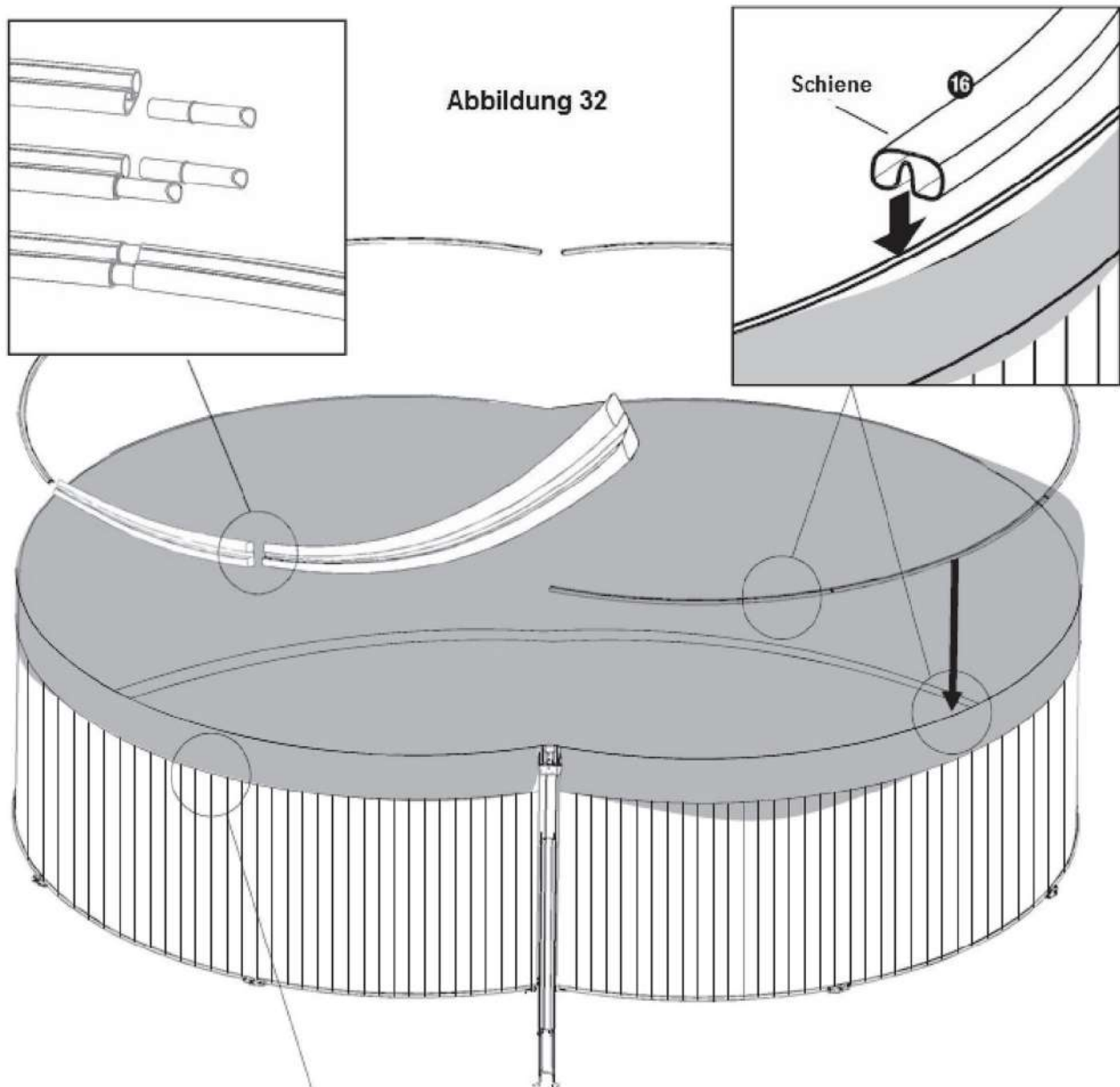
## DIE PVC-POOLINNENHÜLLE ANBRINGEN

Bringen Sie die PVC-Innenhülle an einem warmen und sonnigen Tag, vorzugsweise über 22 °C an. Entfalten Sie die PVC-Innenhülle und legen Sie sie 2 Stunden lang in die Sonne. Wenn die Temperatur unter 16°C ist, wird die PVC-Innenhülle hart und starr und ist recht schwierig zu hantieren. Legen Sie die Innenhülle in die Mitte des Poolstandorts innerhalb der Poolwand. Entfalten Sie sie bis der Saum an die Basis des Pools reicht, wo die schützende Sandabdeckung ist. Beseitigen Sie alle Falten in der Innenhülle. Glätten Sie die PVC-Innenhülle und halten Sie sie senkrecht zum Boden. Legen Sie die Poolinnenhülle über die Poolwand. Sie sollte die Poolwandhöhe um 8 cm überlappen (siehe Abbildung 30 und 31). Befestigen Sie den überlappenden Teil mit Wäscheklammern.



Kontrollieren Sie, dass der Poolinnenhülle gleichmäßig auf den Umfang verteilt ist. Entfalten Sie gleichmäßig die überschüssige Länge des PVC, wenn Sie sie zu locker finden. Kontrollieren Sie, dass die Überlappung gleichmäßig ist. Wenn der Poolinnenhülle etwas zu kurz ist, müssen Sie ihn etwas herunterlassen und umgekehrt. Füllen Sie den Pool mit 3 bis 5 cm Wasser um die Innenhülle gegen die Poolwand zu glätten. Prüfen Sie ob das Wasser waagrecht ist, wenn nicht ist etwas falsch und müssen Sie die Innenhülle erneut abnehmen und die Poolwand demontieren um den Untergrund zu erreichen und erneut einzuebnen.

Entfernen Sie jeweils eine Klammer während Sie die oberen Schienen anbringen (siehe Abbildung 32). Schieben Sie die Rohrverbinder in ein Ende der oberen Schiene, verbinden Sie eine weitere obere Schiene. Arbeiten Sie um den gesamten Umfang bis alle oberen Schienen miteinander verbunden und vorsichtig in die Oberseite der Poolwand gedrückt sind.



**ACHTUNG!** Schneiden Sie eine zu lange Überlappung der Poolinnenhülles nicht ab. Wenn Sie die Überlappung abschneiden, wird die nächste Poolmontage schwierig.

**Befestigen Sie alle oberen Schienen an der Oberseite der Poolwand und stellen Sie sicher, dass alle korrekt passen.**

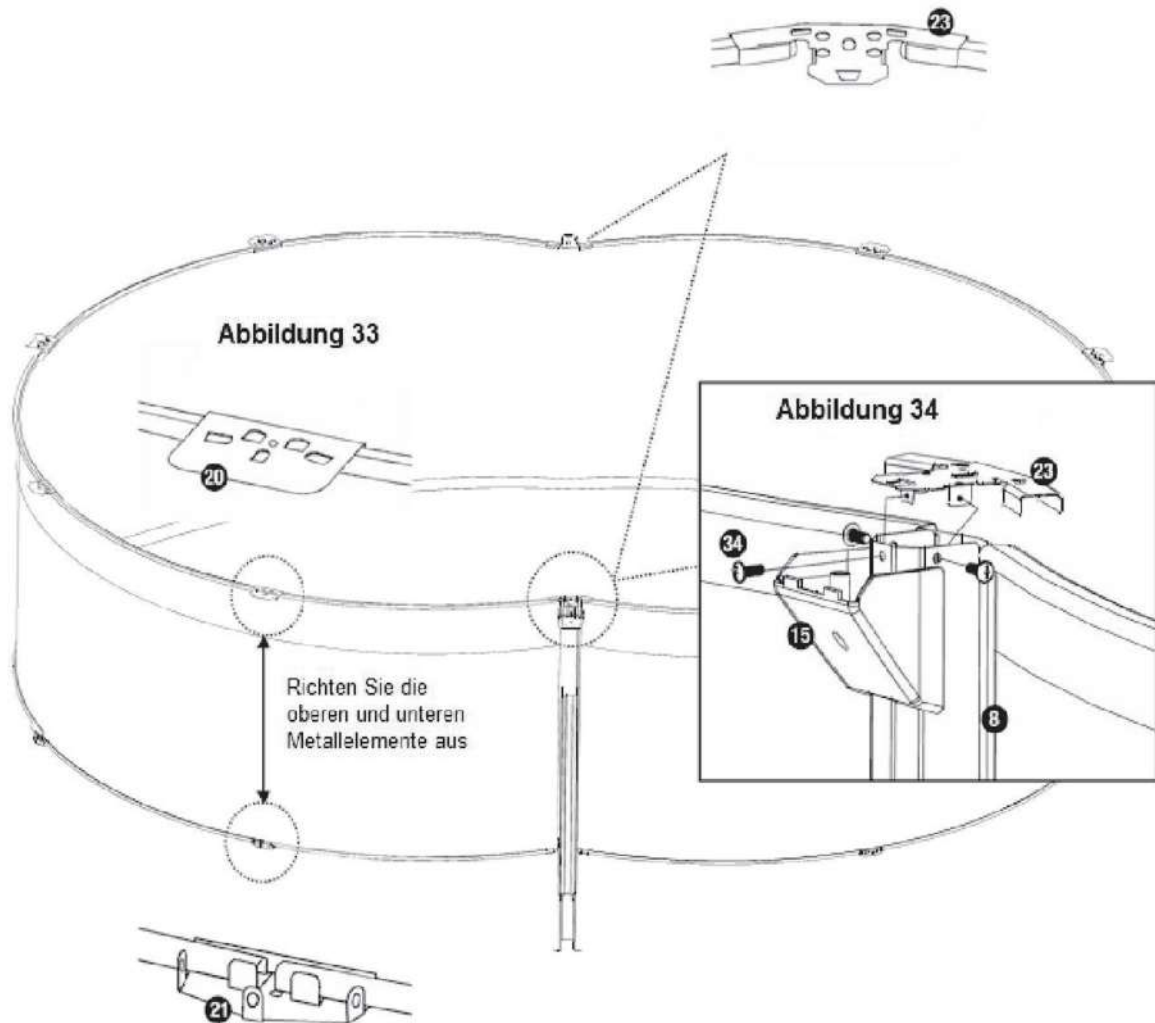
## MONTAGE DER OBEREN UND SEITLICHEN METALLELEMENTE

Haken Sie die oberen Metallteile über die obere Schiene zwischen den Schienenverbindungen und richten Sie sie mit den unteren Metallelementen aus.

(siehe Abbildung 33)

Montieren Sie die seitlichen Metallelemente über die Oberseite der vertikalen seitlichen Träger und Schienen und schrauben Sie sie fest.

(siehe Abbildung 34)



## MONTAGE DER OBEREN UND SEITLICHEN OBEREN HANDLÄUFE

Montieren Sie die zwei seitlichen oberen Handläufe auf den Schienen und richten Sie die Löcher über den seitlichen oberen Metallelementen aus.

Verwenden Sie vier Bolzen, Unterlegscheiben, Federringe und befestigen Sie die seitlichen oberen Handläufe auf den seitlichen oberen Metallelementen und ziehen Sie alles manuell fest. Befestigen Sie am Ende eines der seitlichen oberen Handläufe einen obere Handlauf und befestigen Sie diese mit vier Bolzen, Unterlegscheiben, Federringen und Muttern. Fahren Sie fort, bis alle oberen und seitlichen oberen Handläufe an allen oberen und seitlichen oberen Metallelementen befestigt sind. (siehe Abbildung 35, 36 und 37)

Kontrollieren Sie die Ausrichtung, aber ziehen Sie sie noch nicht fest.

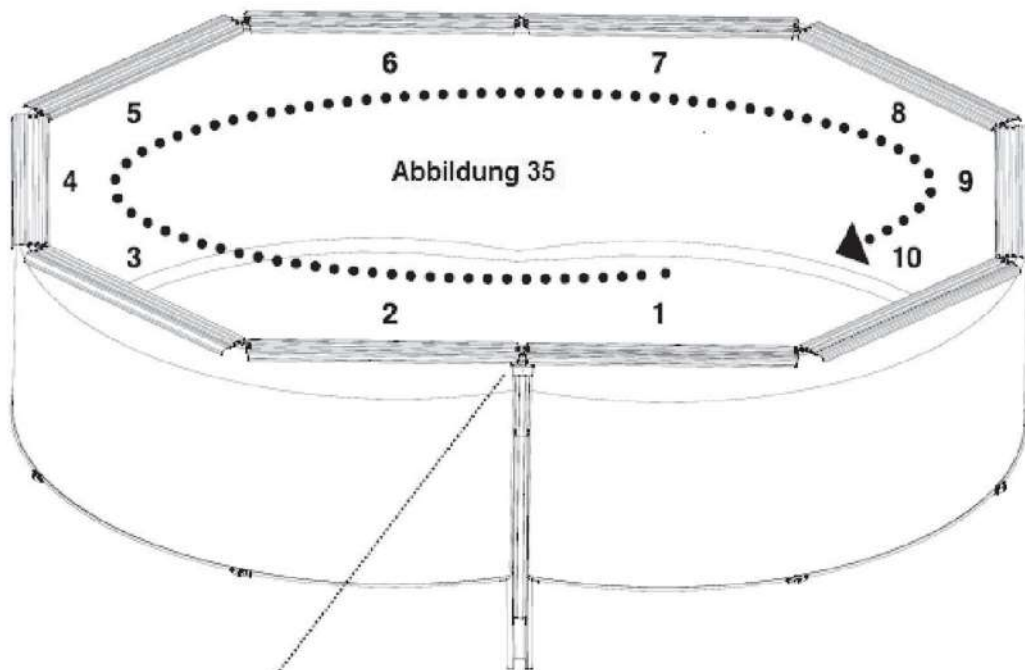
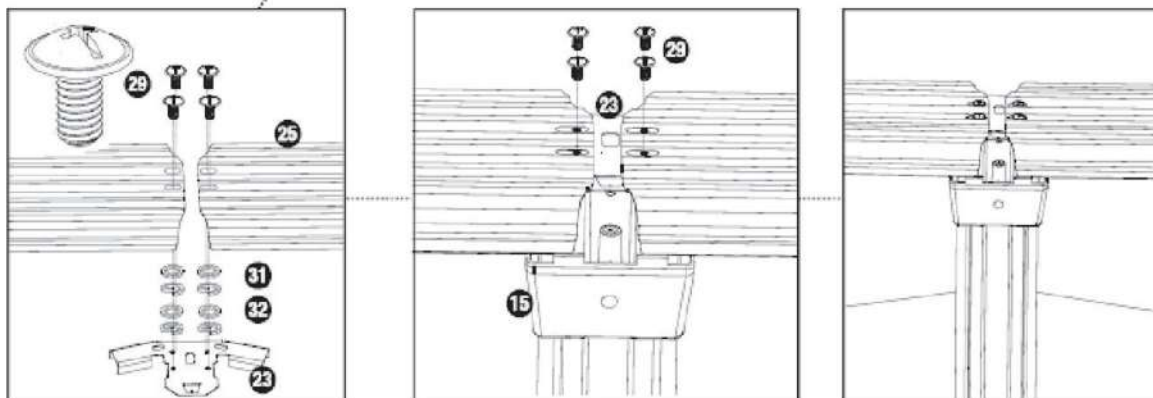
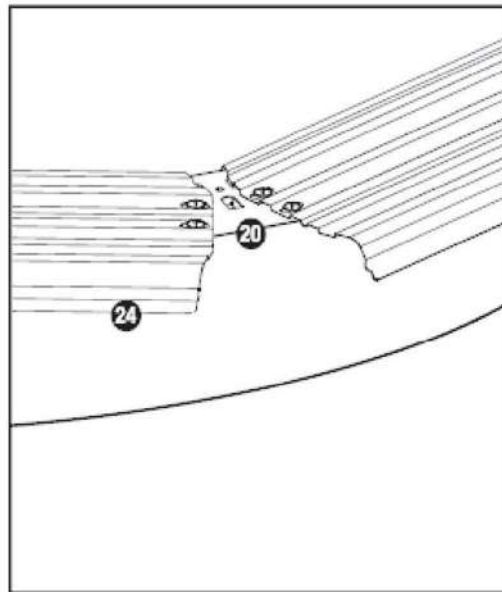
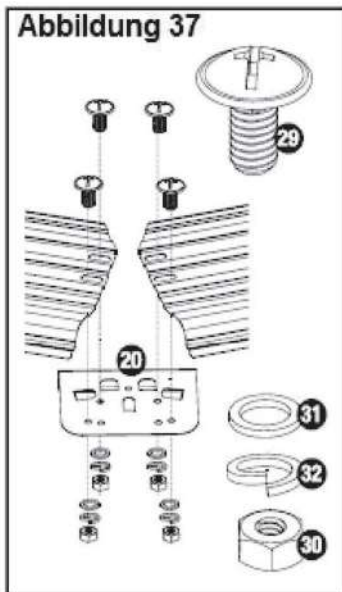


Abbildung 36



1,2, 6 und 7 seitlicher oberer Handlauf wie in Abbildung 35 gezeigt



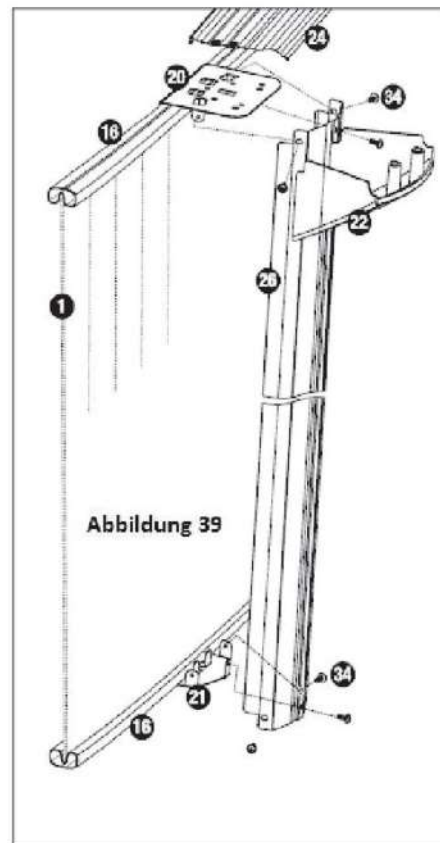
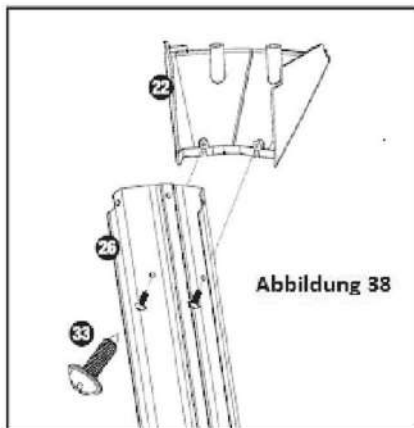


**3, 4, 5, 8, 9 und 10 oberer Handlauf wie in Abbildung 35 gezeigt**

**MONTAGE DER VERTIKALEN TRÄGER**

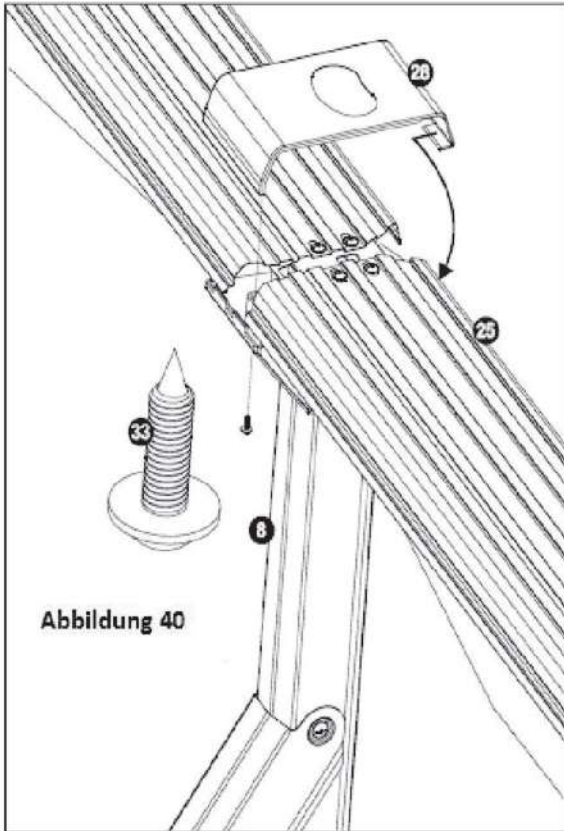
Befestigen Sie den unteren Verbindungsschutz mit den mitgelieferten Schrauben am vertikalen Träger (siehe Abbildung 38). Richten Sie alle Schraublöcher des vertikalen Trägers mit den oberen und unteren Metallelementen aus. Befestigen Sie den vertikalen Träger an den oberen und unteren Metallelementen und schrauben Sie sie manuell fest.

Gehen Sie so um den gesamten Pool vor, bis alle vertikalen Träger befestigt sind. Kontrollieren und korrigieren Sie die Ausrichtung der vertikalen Träger um sicherzustellen, dass sie tatsächlich vertikal und gerade sind. Ziehen Sie dann um den Pool alle oberen und unteren Schrauben an. (siehe Abbildung 39)



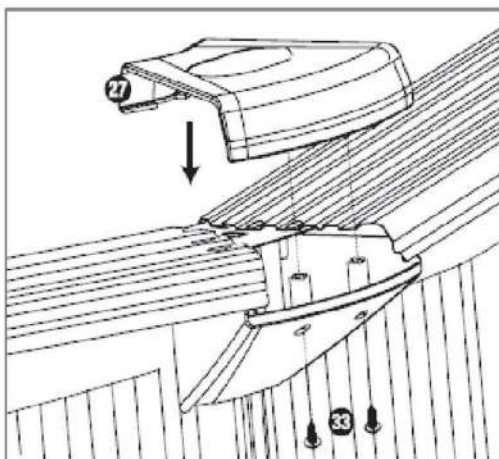


# Befestigung des Verbindungsschutzes



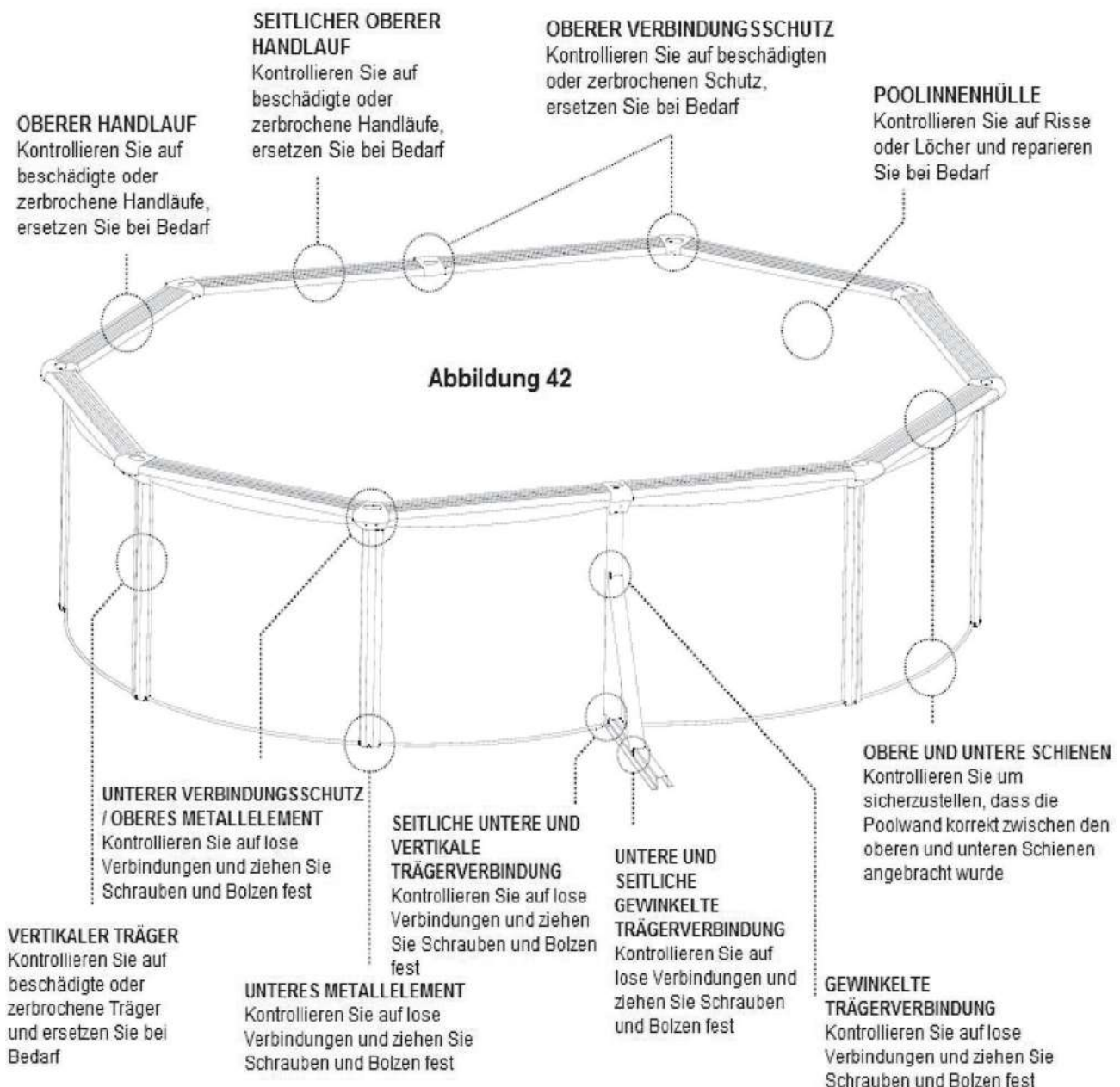
Klemmen Sie das Ende des seitlichen Verbindungsschutzes ohne Gewinde über die Verbindung des seitlichen oberen Handlaufs und schrauben Sie das andere Ende fest.

Gehen Sie genauso vor um den Verbindungsschutz für die oberen Handläufe zu befestigen und schrauben Sie sie fest. Überziehen Sie die Schrauben nicht!



# Kontrollieren Sie alle Verbindungen und Anschlüsse

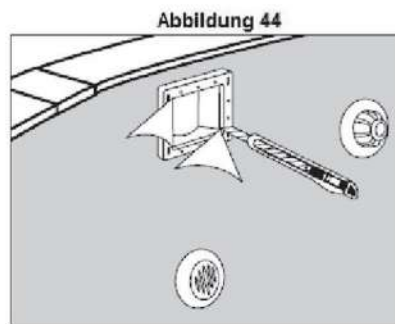
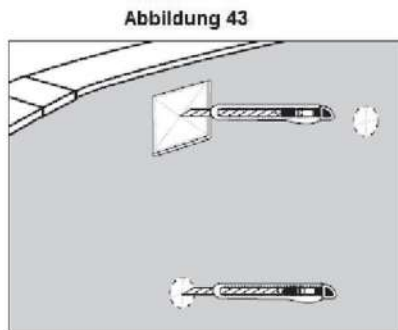
Kontrollieren Sie nach Fertigstellung alle Verbindungen und ziehen Sie lose Schrauben und Bolzen fest, aber überschrauben Sie nicht. Ersetzen Sie beschädigte Komponenten und reparieren Sie alle Risse und Löcher mit Reparaturstücken.  
(siehe Abbildung 42)



# Befestigung des Laubskimmers

Entnehmen Sie die Zufuhr, den Abfluss und die Skimmerbox aus der Verpackung. Lesen Sie sorgfältig die Gebrauchsanweisung des Poollaubskimmers, bevor Sie den Abfluss, die Zufuhr und die Skimmerbox in die Poolwand montieren.

Markieren Sie die Position der Aussparung mit einem gekreuzten Schnitt in die Mitte der Öffnung. Lassen Sie einen kleinen Überhang um den Rand. Schneiden Sie die restliche Innenhülle mit einem scharfen Messer aus dem Inneren der Öffnung für Skimmerbox und Zufuhr sowie Abfluss (siehe Abbildung 43 und 44).

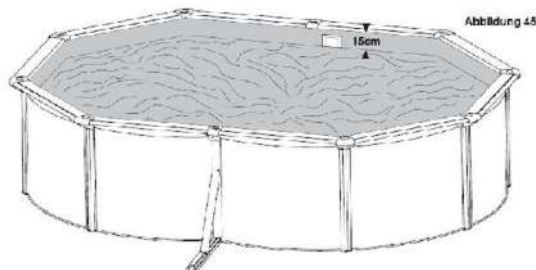


**ACHTUNG!** Wenn Sie mehr als notwendig herausschneiden beschädigt das die Innenhülle und macht sie unbrauchbar, also bitte gehen Sie besonders vorsichtig vor. Beachten Sie die Gebrauchsanweisung des Skimmers um den Zufuhr- und Abflusssatz und die Skimmerbox in der Poolwand zu montieren. Schneiden Sie nach Montage sorgfältig alle abstehenden Teile der Innenhülle in den Verbindungen weg. Achtung. Beschädigen Sie mit dem Messer keine Teile oder das Innere der Skimmerbox und der Eingangs- und Ausgangsanschlüsse.

## DEN POOL MIT WASSER FÜLLEN

Bevor Sie den Pool mit Wasser füllen, sollten Sie sorgfältig kontrollieren, dass in der Innenhülle keine losen Schrauben, Löcher oder Risse vorhanden sind. Füllen Sie den Pool bis zur Hälfte der Skimmerbox oder mindestens 15 cm unterhalb der Oberkante der Poolwand (siehe Abbildung 45) um sicherzustellen, dass Wasser in die Skimmeröffnung gelangen kann.

**ACHTUNG!** Um Zusammenbrechen zu vermeiden, sollten Sie den Pool nie ohne Wasser stehen lassen.



**ACHTUNG!** Die Filterpumpe sollte ausgeschaltet werden, wenn sich Personen im Pool befinden!

Beachten Sie die Montageanweisungen in der Gebrauchsanweisung der Sandfilterpumpe

# Poolwartung

1. Halten Sie Ihren Pool immer sauber und verwenden Sie die richtigen Poolchemikalien.  
Unsauberes Wasser ist eine ernste Gefahr für die Gesundheit.
2. Halten Sie den pH-Wert des Pools zwischen 7,2 und 7,6
3. Wenden Sie sich an Ihren Händler, wenn Sie Ihr Filtersystem ändern möchten.
4. Reinigen Sie die PVC-Innenhülle regelmäßig mit nicht schleifenden Bürsten oder einem Staubsauger.  
Schalten Sie Ihr Filtersystem spätestens einen Tag vor Benutzung des Pools ein. Lassen Sie das System ausreichend lange laufen damit das Wasser vor Verwendung vollständig gefiltert wird.
6. Stellen Sie sicher, dass der Wasserstand 15 cm unter der Oberkante ist.

## **ALLGEMEINE WASSERSICHERHEIT**

Beaufsichtigen Sie Kinder jederzeit am Wasser. Stellen Sie sicher, dass der Pool korrekt und funktionstüchtig eingezäunt ist.

Lernen Sie Unfallverhütung und üben Sie regelmäßig.

Lesen Sie dies so oft Sie können bevor Sie den Pool mit Ihren Kindern nutzen! Die Sicherheit Ihrer Kinder hängt von Ihnen ab! Unfälle passieren nicht einfach anderen Leuten, sie können auch Ihren Kindern passieren, wenn sie nicht ständig beaufsichtigt werden. Bereiten Sie sich mental auf alle Situationen vor, die auftreten können, damit Sie in der Lage sind entsprechende Hilfe zu leisten.

Beaufsichtigen Sie Ihre Kinder ununterbrochen.

Benennen Sie nur einen Sicherheitsverantwortlichen.

Verstärken Sie die Aufsicht, wenn sich im Pool verschiedene Personen aufhalten.

Halten Sie Schwimmhilfen bereit (für Personen, die nicht schwimmen können).

Lehren Sie Ihren Kindern schnellstmöglich schwimmen.

Befeuchten Sie Ihren Hals, Ihre Arme und Ihre Beine, bevor Sie ins Wasser gehen.

Stellen Sie sicher, dass Sie die Rettungsschwimmertechniken beherrschen, vor allem für Kinder.

Untersagen Sie kleinen Kindern in den Pool zu springen oder zu tauchen.

Verbieten Sie Wettrennen und raue Spiele im Pool.

Lassen Sie nicht zu, dass Kinder, die nicht schwimmen können, den Pool ohne Schwimmwesten oder Schwimmflügel und ohne Aufsicht betreten. Schwimmhilfen sind kein Ersatz für Aufsicht durch Erwachsene.

Lassen Sie kein Spielzeug unbeaufsichtigt in und um den Pool liegen.

Das Wasser sollte immer sauber und keimfrei sein.

Bewahren Sie die Wasserbehandlungsprodukte außerhalb der Reichweite von Kindern.

Sorgen Sie immer für ein Telefon am oder in der Nähe des Pools, sodass die Kinder nicht unbeaufsichtigt sind, wenn Sie telefonieren müssen.

Sorgen Sie immer dafür, dass Schwimmhilfen und ein Rettungstab an der Poolseite bereit stehen.

Halten Sie den Zaun zum Pool geschlossen, wenn der Pool nicht besetzt ist.

Legen Sie die Poolabdeckung auf und sichern Sie sie, wenn der Pool nicht verwendet wird.

Verwenden Sie wenn möglich einen elektronischen Poolalarm, der angibt, wenn jemand in den Pool fällt.

## **ES GIBT KEINEN ERSATZ FÜR BEAUFSICHTUNG DER KINDER DURCH ERWACHSENE**

Wenn ein Unfall auftritt:

Holen Sie das Kind sofort aus dem Pool.

Rufen Sie sofort die Nummer 000 an und folgen Sie den Empfehlungen, die Sie bekommen.

Leisten Sie sofort erste Hilfe, wenn ein Kind oder ein Erwachsener nicht atmet. Lesen Sie die Übersicht der ersten Hilfe.

Die Anweisungen zur Ersten Hilfe finden Sie auch an der Poolwand.

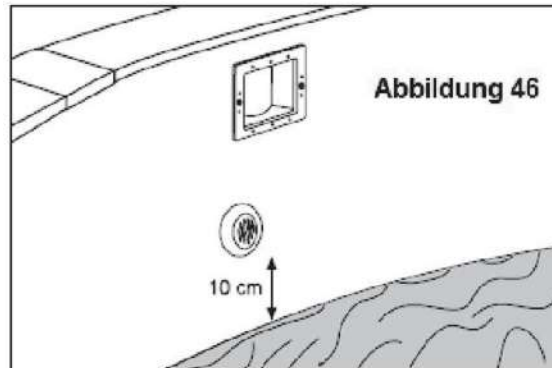
# 2021 - 2022



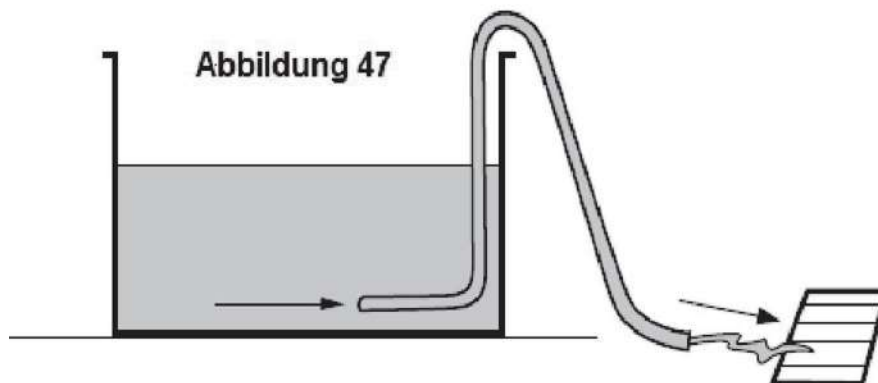
## Winterfest machen

Wenn Sie den Pool im Winter nicht demontieren möchten, beachten Sie bitte die folgenden Hinweise:

1. Lassen sie nicht das gesamte Poolwasser ablaufen, sonst könnte der Pool zusammenbrechen.
2. Behandeln Sie das Poolwasser mit einem geeigneten chemischen Produkt.
3. Lassen Sie das Wasser bis 10 cm unter das Ablassventil in der Poolwand ab. Sie können eine Pumpe oder einen Gartenschlauch verwenden. (Siehe Abbildung 46)



4. Tauchen Sie den Schlauch ins Wasser, bis er sich vollständig füllt, nehmen Sie ein Schlauchende heraus und das Wasser wird automatisch abfließen. (Siehe Abbildung 47)



5. Verwenden Sie das Wasser nicht für den Garten, da es mit Poolchemikalien behandelt wurde.
6. Schließen Sie die Öffnung des Rückschlagventils mit einem Stöpsel. Sie sind bei einem Poolhändler erhältlich.
7. Entfernen Sie das Filtersystem aus dem Pool und lassen Sie das Wasser aus dem Filtersystem ablaufen. Die Ein- und Ausgänge können am Pool bleiben. Lagern Sie das Filtersystem trocken, vorzugsweise in der Originalverpackung.
8. Entfernen Sie auch das gesamte Poolzubehör und lagern Sie es trocken und kühl.
9. Schützen Sie den Pool mit der Abdeckung. Sichern Sie die Abdeckung mit Zugseilen und befestigen Sie diese um den Pool.

### ANBRINGEN VON LOGO STICKERN AUF DER POOLWAND

1. Entfernen Sie das Papier von der Rückseite der Sticker.
2. Richten Sie die Sticker auf der Mitte der Poolwand aus.
3. Bringen Sie den Sticker auf der Wand an und drücken Sie ihn auf die Wandoberfläche.

2021 - 2022

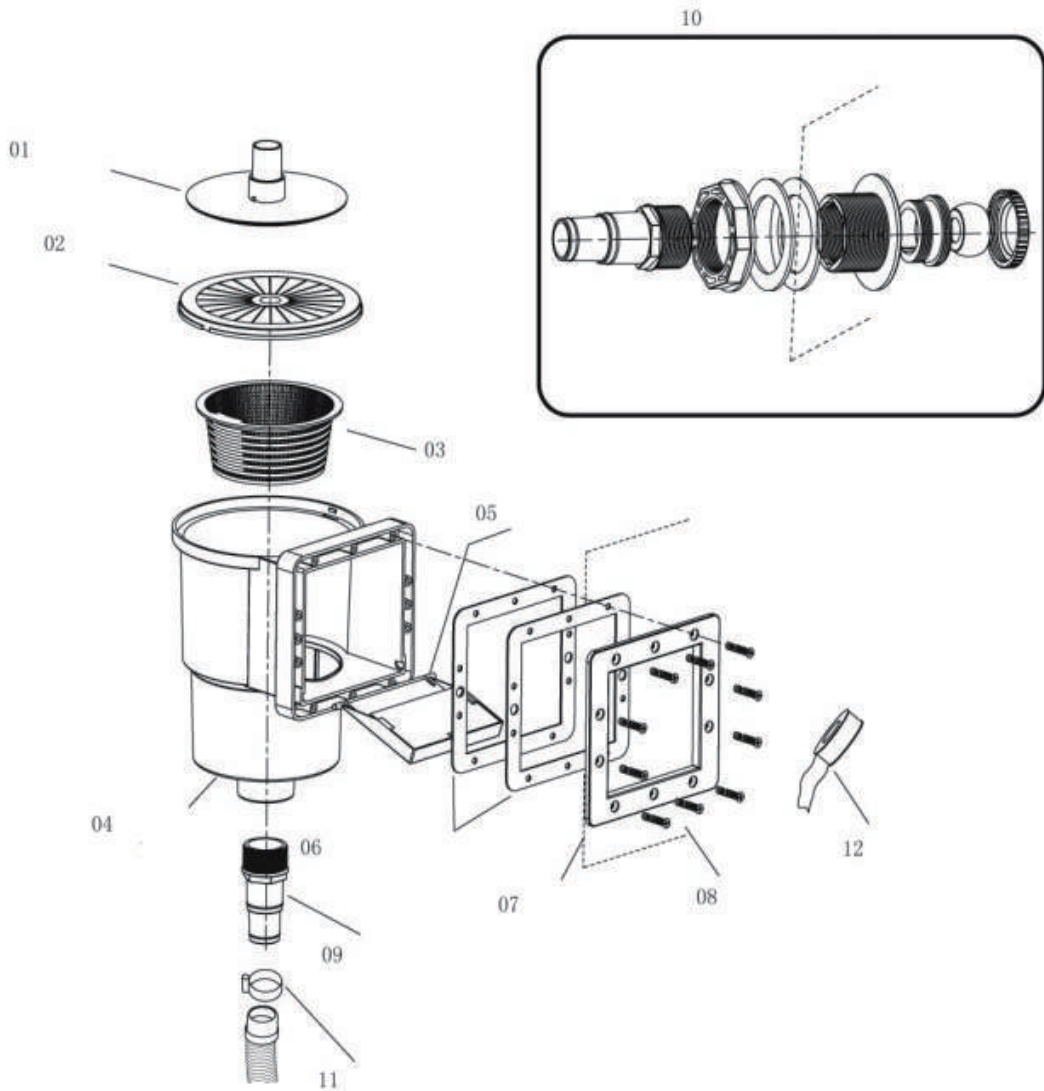
Bringen Sie die Lippendichtung am Skimmerausschnitt an. Achten Sie auf die Flanschbohrungen!

Nehmen Sie den Skimmerflansch und stecken Sie links und rechts oben jeweils eine Schraube durch. Tasten Sie nun bei der Folie die beiden Öffnungen und die dazugehörigen Bohrungen in der Stahlwand ab und stechen Sie diese mit einem Spitz durch. Stecken Sie die beiden Schrauben mit dem Skimmerflansch und der Dichtung von innen nach außen durch. Nun ist auf der Beckenwandaußenseite das Skimmergehäuse mit den beiden Schrauben zu fixieren.

In der Folge werden die übrigen Löcher in die Folie gestochen und die einzelnen Schrauben durchgesteckt und mit dem Skimmergehäuse verschraubt. Achten Sie bitte darauf, dass die Skimmerdichtungen umlaufend gleichmäßig montiert sind.

Ziehen Sie die Schrauben diagonal und gleichmäßig fest, um eine Dichtheit sicherzustellen. Das Anziehen der Schrauben darf nur von Hand geschehen, um die Schrauben nicht zu überdrehen (keinen Akkuschauber verwenden). In der Folge wird das Folienquadrat innerhalb des Skimmers mit einem scharfen Messer (Stanleymesser) ausgeschnitten. Sollte Ihr Skimmer mit einem losen Pumpenanschlussstück ausgestattet sein, so ist es erforderlich das Gewinde mit Teflonband abzudichten. Abbildung 31

Nr.	Name	Anzahl
01	Saugplatte	1
02	Skimmerdeckel	1
03	Skimmerkorb	1
04	Skimmergehäuse	1
05	Skimmerklappe	1
06	Skimmerdichtung	1
07	Skimmerflansch	1
08	Skimmerschrauben (ST5x24)	12
09	Schlauchanschlussstück	1
10	Einströmdüse	1
11	Schlauchklemmen	2
12	Teflengewindeband	1



2021 - 2022