

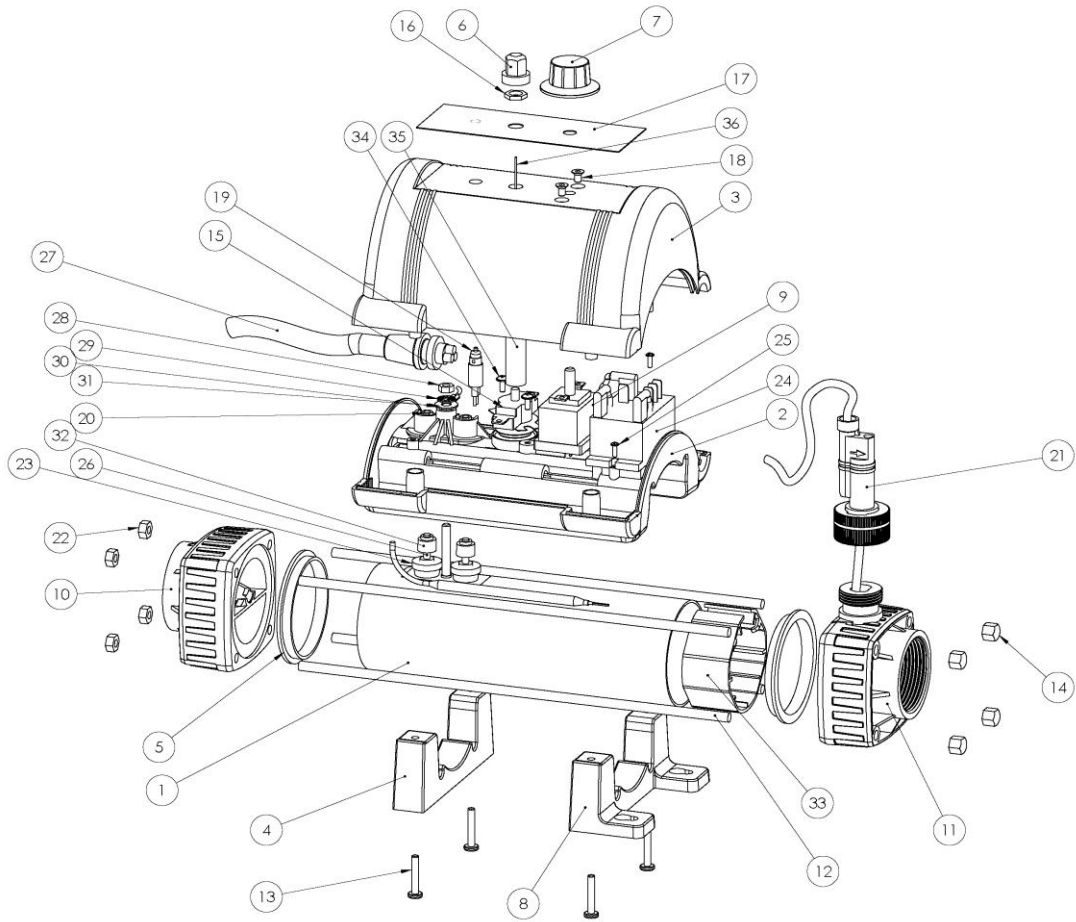
Vulcan

Nano Splasher

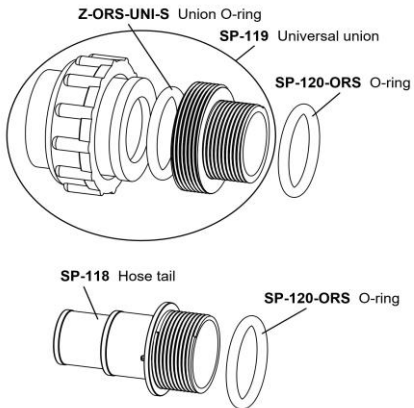
SPARE PART LISTS



Nano Splasher



Water connections:



Item No.:	Description:	Pcs/Unit:	Part Number:	GBP RRP (£)	EUR RRP (€)
1	Stainless Steel Flow Tube	1	X-TUB-SS200-1E	74.00	82.88
2	Electrical Bottom Cover / Bridge	1	Z-IM-NO-BC	18.25	20.44
3	Electrical Top Cover	1	Z-IM-NO-TC-BLK	27.25	30.52
4	Lower Foot (Without Key Hole Hooks)	1	Z-IM-NO-FL	15.25	17.08
5	TPE End Fitting Gasket	2	SP-117-GSK	3.50	3.92
6	Thermal Safety Cut-Out Cover	1	Z-MIS-HLS-CVR	7.25	8.12
7	Control Thermostat Dial	1	Z-MIS-CS-DIAL	3.50	3.92
8	Upper Foot (With Key Hole Hooks)	1	Z-IM-NO-FU	20.50	22.96
9	Control Thermostat	1	SP-MIS-CS	41.75	46.76
10	Left End Fitting (Non F/S)	1	SP-117	24.50	27.44
11	Right End Fitting (F/S)	1	SP-117B	24.50	27.44
12	273-mm M6 Tie Bar	4	Z-STU-273	8.00	8.96
13	M4 x 25-mm Zinc Coated Pozi Pan Screw	4	Z-FIX-M4X25	4.00	4.48
14	M6 Cap Nut	4	Z-FIX-M6CAP	5.25	5.88
15	Thermal Safety Cut Out (Manual Reset)	1	Z-MIS-BS-60-50	18.50	20.72
16	M8 Hex Nut (For Thermal Cut Out)	1	Supplied with #15	-	-
17	Nano Ops Panel Overlay	1	Z-LAB-NANO	8.25	9.24
18	M4 x 6-mm S/S CSK	2	Z-FIX-M4X6CS	1.50	1.68
19	Neon Indicator Lamp	1	Z-MIS-NEON	5.00	5.60
20	M4 Hex Nut	2	Z-FIX-M4HEX	4.00	4.48
21	Nano Splasher Flow Switch	1	SP-107-N-S	38.75	43.40
22	M6 S/S Hex Nut	4	Z-FIX-M6HEX	5.25	5.88
23	EPDM Element Ferrule	2	Z-IM-EL-FER	7.50	8.40
24	Surface Mount Relay	1	Z-FIX-M6HEX	5.25	5.88
25	M3 x 14 -mm FLG Pozi Zinc Coated	2	Z-FIX-M3X12-FLG	1.50	1.68
26	Heating Element	1	Refer to Table 1	-	-
27	Power Supply Lead	1	X-CAB-N-SPA-R	29.00	32.48
28	M5 S/S Full Hex Nut	1	Z-FIX-M5HEX	5.25	5.88
29	M5 S/S Locking Washer	1	Z-FIX-M5LW	5.25	5.88
30	Earth Ring Terminal	1	Z-CON-YR53	7.25	8.12
31	M5 S/S Half Hex Nut	1	Z-FIX-M5HEX-N	5.25	5.88
32	Stepped Element Washer	2	Z-IM-EL-SW	2.00	2.24
33	Element Support	1	Z-IM-EL-SUP	5.00	5.60
34	M3 x 8 -mm FLG Pozi Zinc Coated	2	Z-FIX-M3X8FLG	1.80	2.02
35	Button Stat Holder	1	Z-MIS-N-BSH	11.00	12.32
36	Resetting pin	1	Z-MIS-N-RS	2.50	2.80
*	Nano Element Fixing Kit (Comprising of: 2x20, 2x23, 1x28, 1x29, 1x31, 2x32 & 1x33)	1	SP-EL-FIX-NANO	11.25	12.60

1.5" BSP Hose Tail for 1.5"/1.25" Flexible Pipe	2	SP-118	10.50	11.76
1.5" BSP Universal Union for 1.5"/50-mm Pipe	2	SP-119	16.00	17.92
O-Rings (2 pcs in bag)	1	SP-120-ORS	2.00	2.24
44mm x 6mm Union O-Ring EPDM Shore 70	2	Z-ORS-UNI-S	3.75	4.20

Table 1. Replacement Heating Elements

Part Code:	Description:	GBP RRP (£)	EUR RRP (€)	No. of heating elements:	Product Code:	
SP-EL-IC2KW7T	2-kW Incoloy Heating Element	86.25	96.60	1	-	V-N-2-EU
SP-EL-IC2.8KW7T	3-kW Incoloy Heating Element	93.50	104.72	1	V-N-3-UK	V-N-3-EU



**11 Gunnels Wood Park, Gunnels Wood Road
Stevenage, Hertfordshire, SG1 2BH, UK
Tel: +44 1438 749 474 sales@elecra.co.uk**

WE RESERVE THE RIGHT TO CHANGE ALL OR PART OF THE FEATURES OF THE ARTICLES OR CONTENTS OF THIS DOCUMENT, WITHOUT PRIOR NOTICE.

NOUS NOUS RÉSERVONS LE DROIT DE MODIFIER EN TOUT OU EN PARTIE LES CARACTÉRISTIQUES DE NOS ARTICLES OU LE CONTENU DE CE DOCUMENT SANS AVIS.

CI RISERVIAMO IL DIRITTO DI MODIFICARE IN TUTTO O IN PARTE LE CARATTERISTICHE DEI NOSTRI ARTICOLI O CONTENUTO DI QUESTO DOCUMENTO SENZA PREAVVISO.