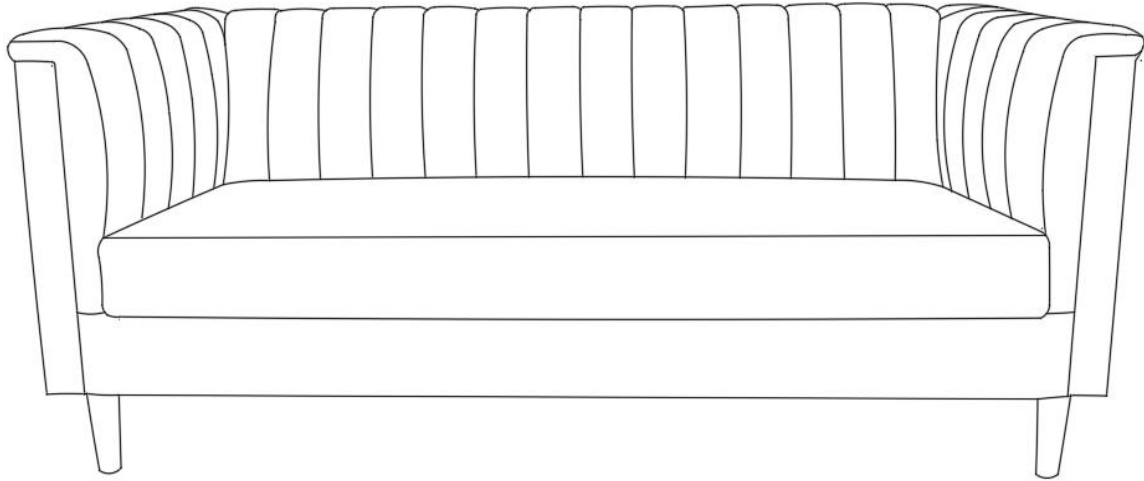
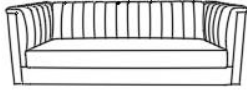

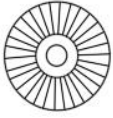


Ellison

1359_102820/102822



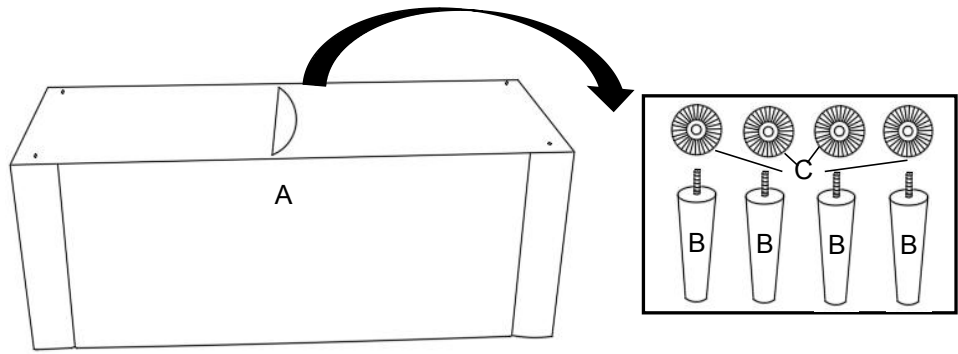
1359_102820/102822

A		195*76*64cm	1	1/1
B		18cm	4	1/1
C		4.5cm	4	1/1

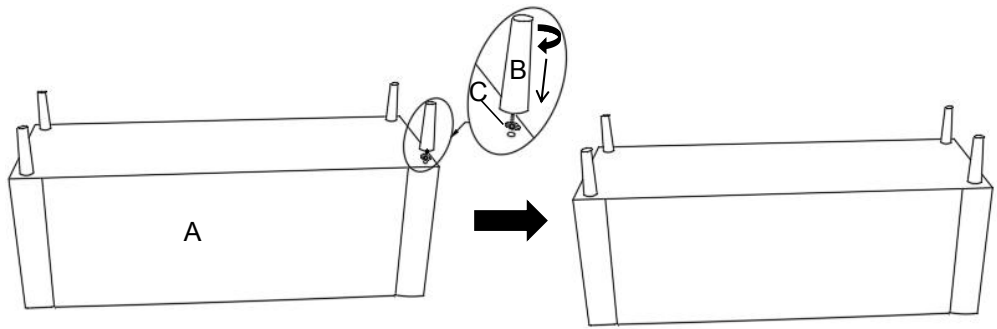
FR : SAV/INFORMATION /VIDEO/CONTACT
EN: AFTER-SALES SERVICE/INFORMATION/VIDEO/CONTACT
DE : REPARATUR-SERVICE UND ERSATZTEILE /INFORMATIONEN /VIDEO/KONTAKT
ES: SERVICIO POST-VENTA/INFORMACIÓN/VIDEO/CONTACTO
IT: SERVIZIO ASSISTENZA/INFORMAZIONI/VIDEO/CONTATTO
PT: SERVIÇO PÓS-VENDA/INFORMAÇÕES/VIDEO/CONTATO
PL: SERWIS TECHNICZNY/INFORMACJE/WIDEO/KONTAKT
NE: AFTER SALES SERVICE/INFORMATIE/VIDEO/CONTACT
HE: מע רשקתל/ואדיווה/ עדימ/תורכמו תוריש רחאל

SAV. HABITATETJARDIN. COM

1



2



3

