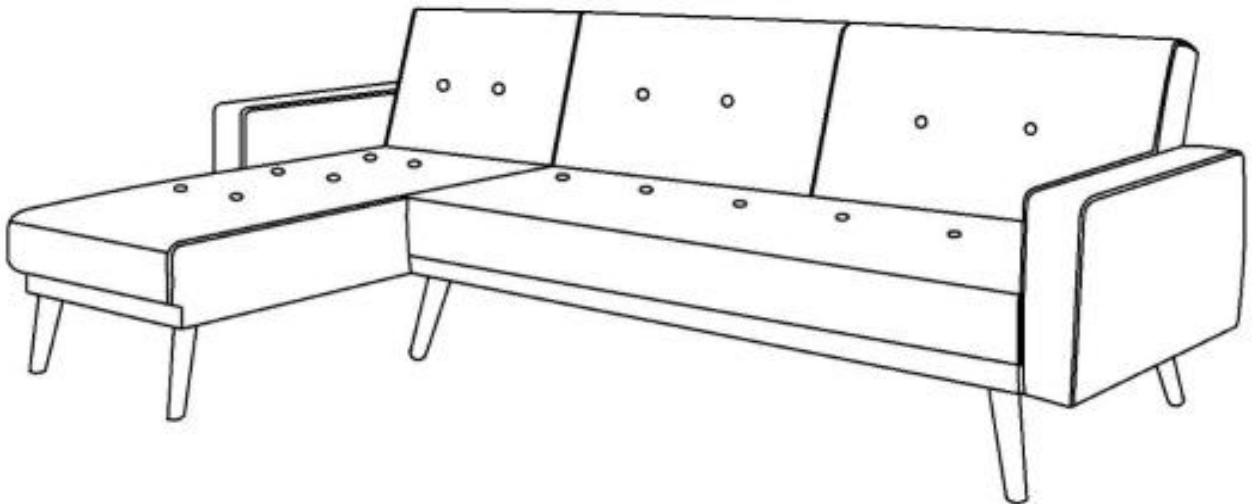
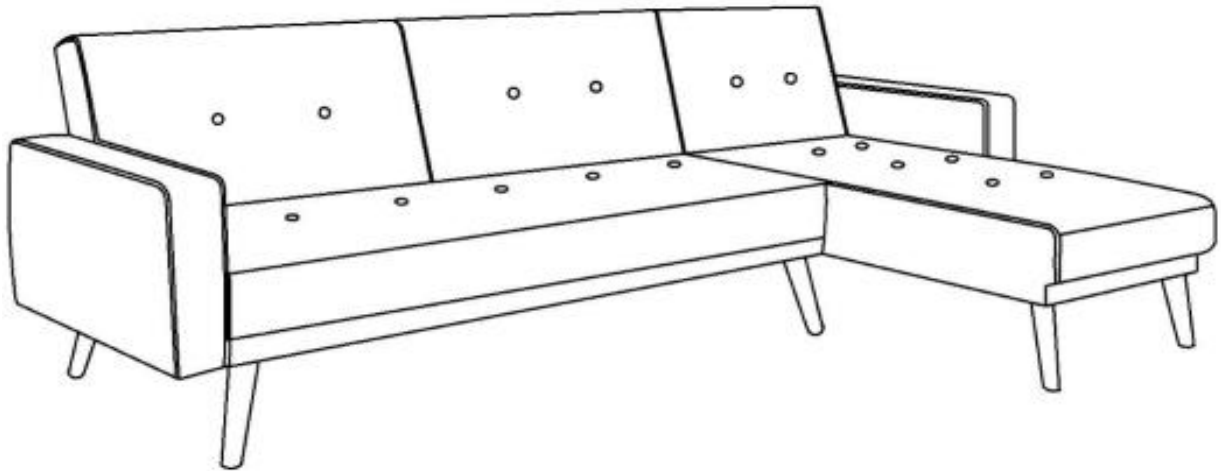
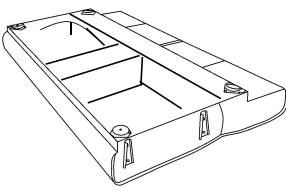
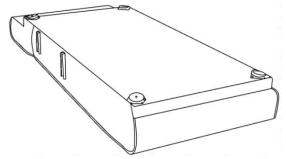
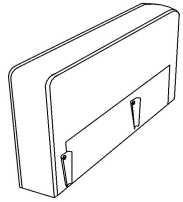
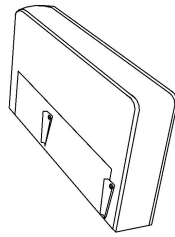
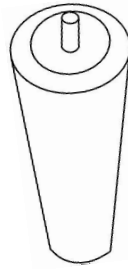
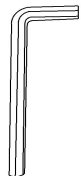


# Jules

1359-93290/93291/99521



# 1359-93290/93291/99521

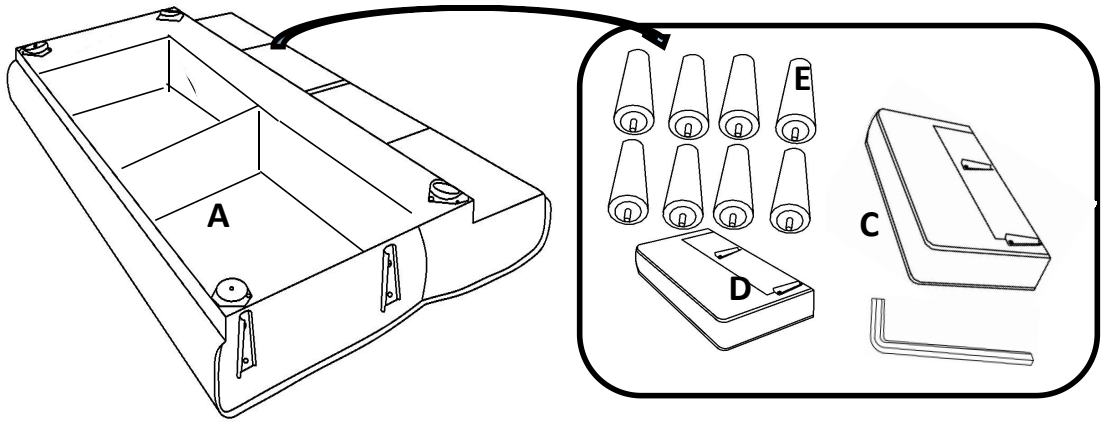
A		179*109*20CM	1	1/2
B		178*74*20CM	1	2/2
C		77*40*12CM	1	1/2
D		77*40*12CM	1	1/2
E		18CM	8	1/2
①		9CM	1	1/2

FR : SAV/INFORMATION /VIDEO/CONTACT  
 EN: AFTER-SALES SERVICE/INFORMATION/VIDEO/CONTACT  
 DE : REPARATUR-SERVICE UND ERSATZTEILE /INFORMATIONEN /VIDEO/KONTAKT  
 ES: SERVICIO POST-VENTA/INFORMACIÓN/VIDEO/CONTACTO  
 IT: SERVIZIO ASSISTENZA/INFORMAZIONI/VIDEO/CONTATTO  
 PT: SERVIÇO PÓS-VENDA/INFORMAÇÕES/VIDEO/CONTATO  
 PL: SERWIS TECHNICZNY/INFORMACJE/WIDEO/KONTAKT  
 NE: AFTER SALES SERVICE/INFORMATIE/VIDEO/CONTACT

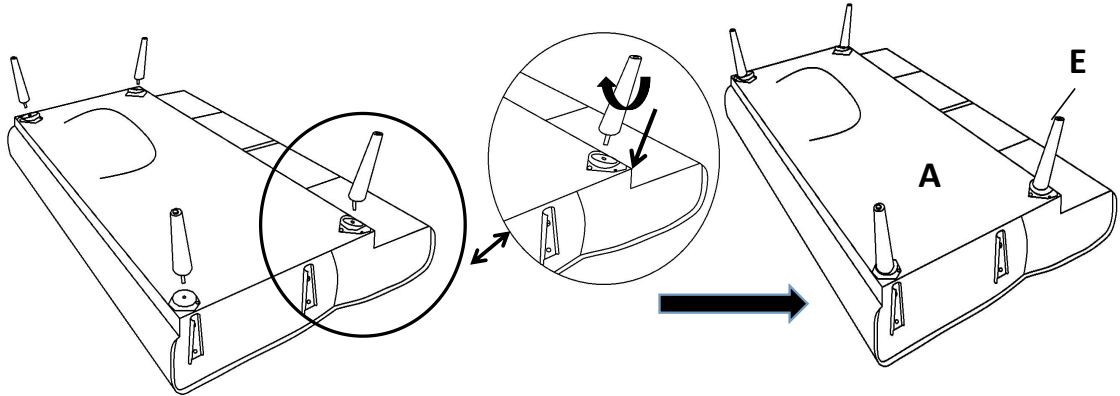
HE: מע רשקתל/ואדיווה/ עדימ/תורכמו תוריש רחאל

SAV.HABITATETJARDIN.COM

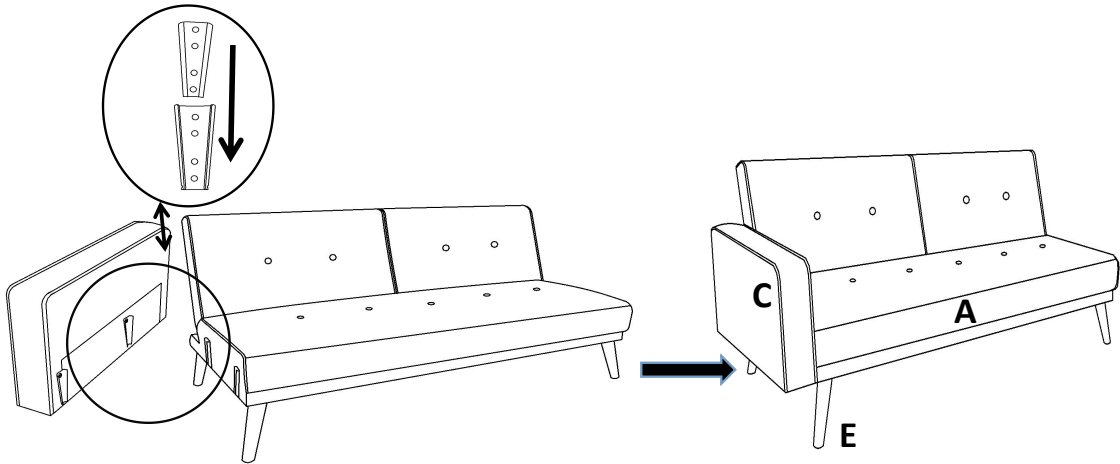
1



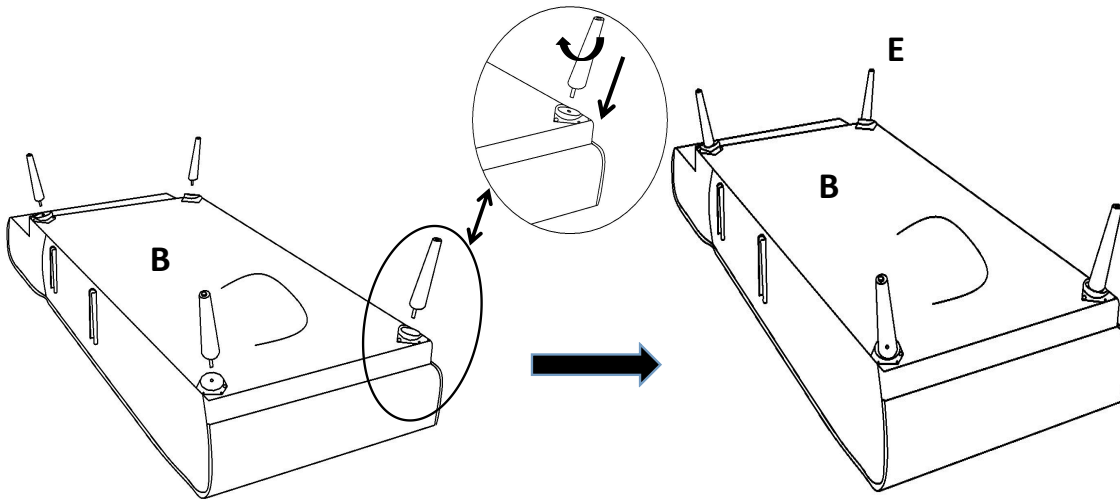
2



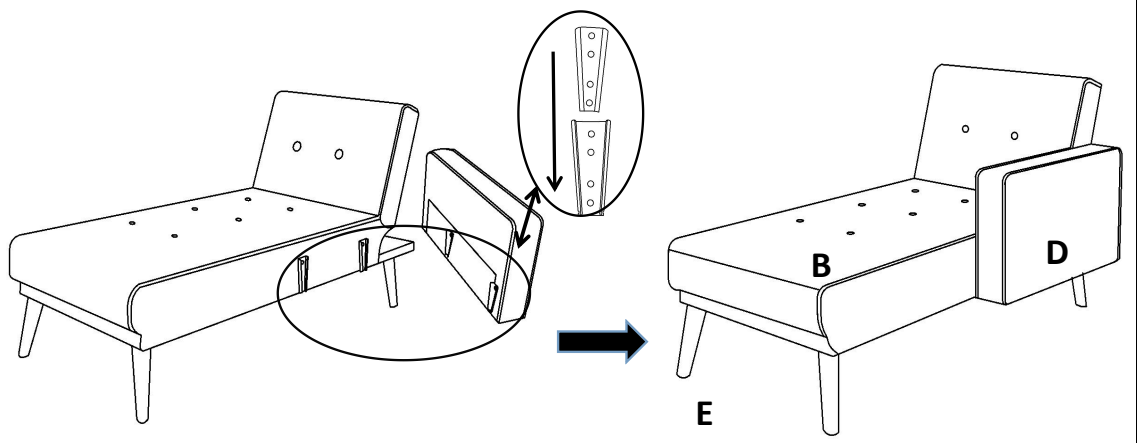
3



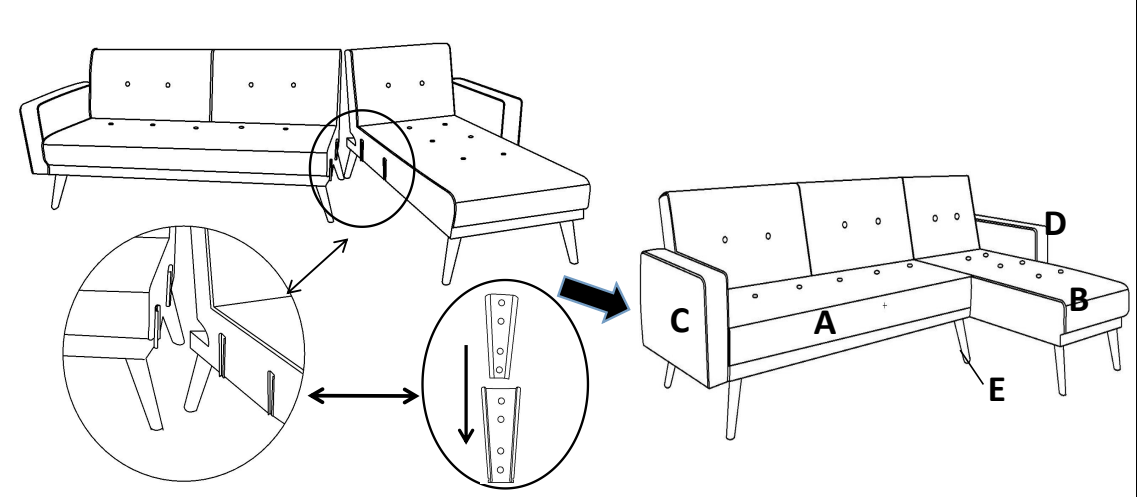
4



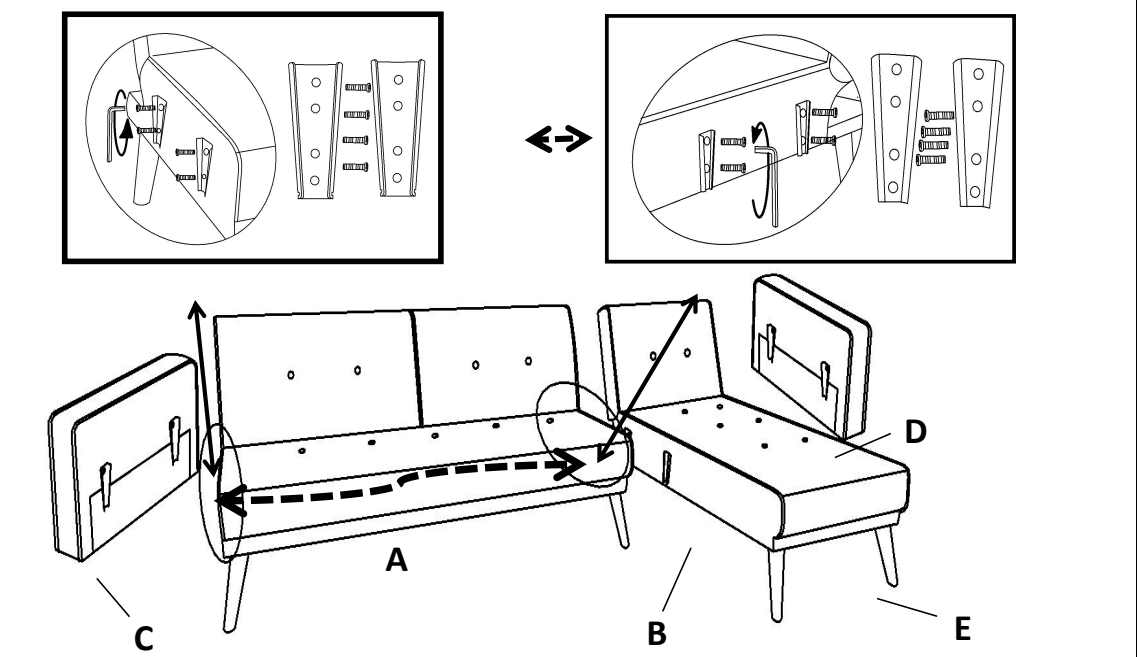
5



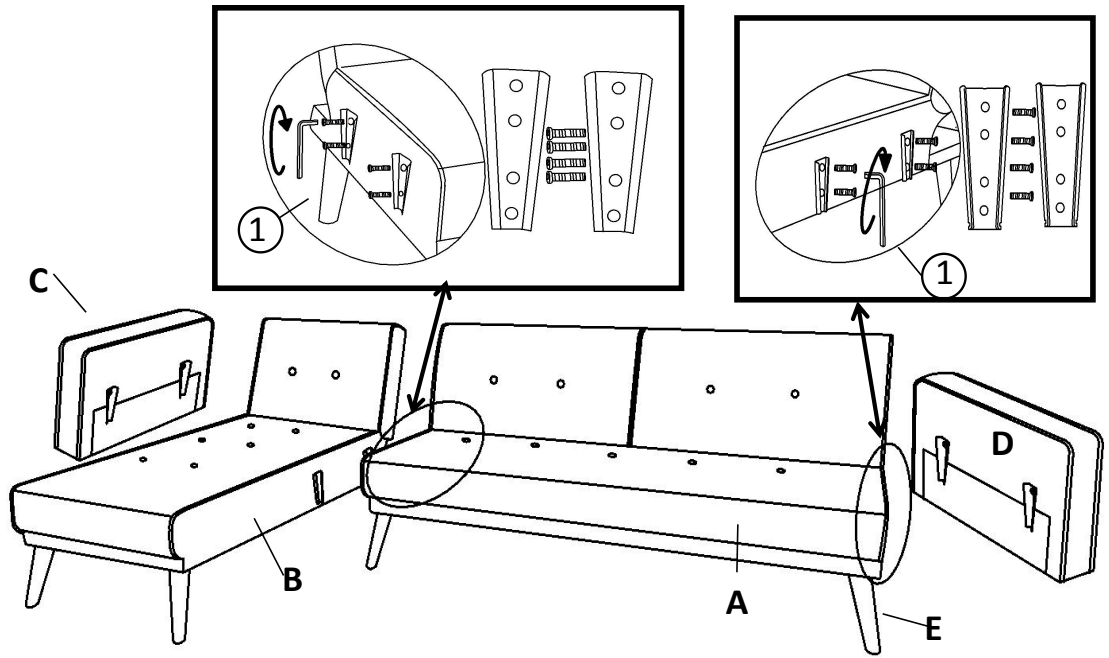
6



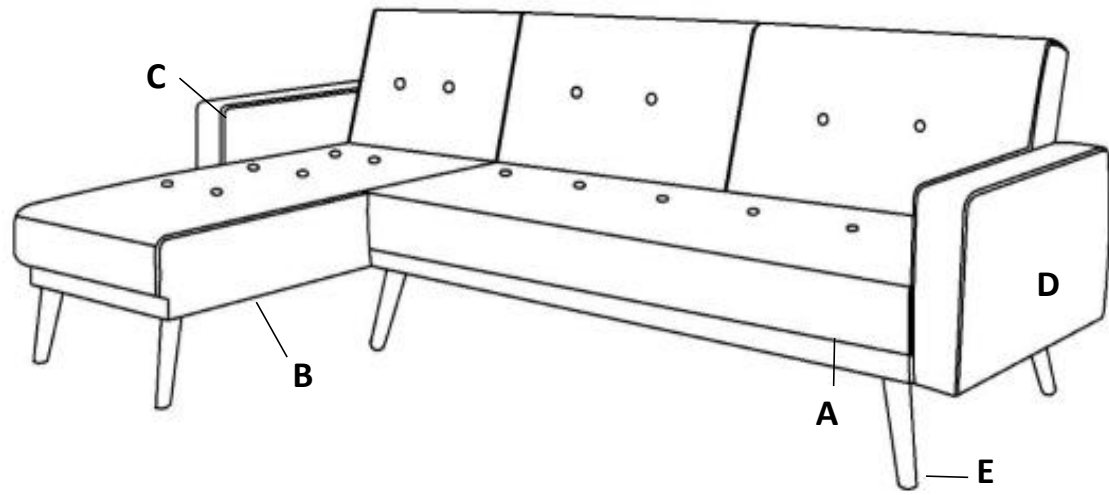
7



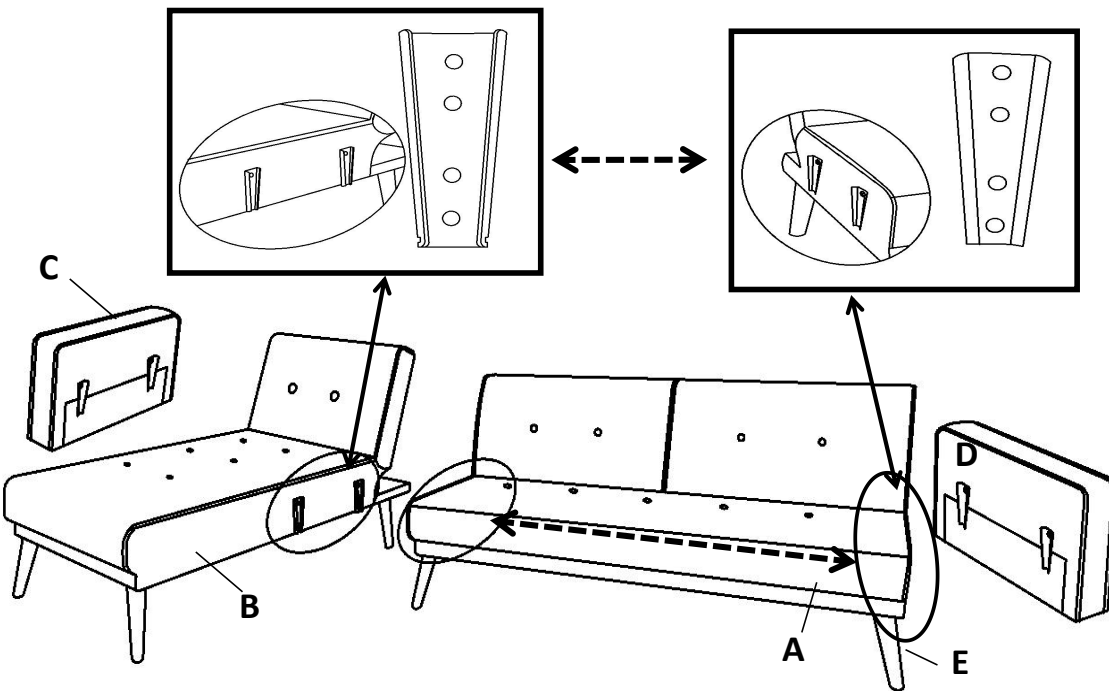
8



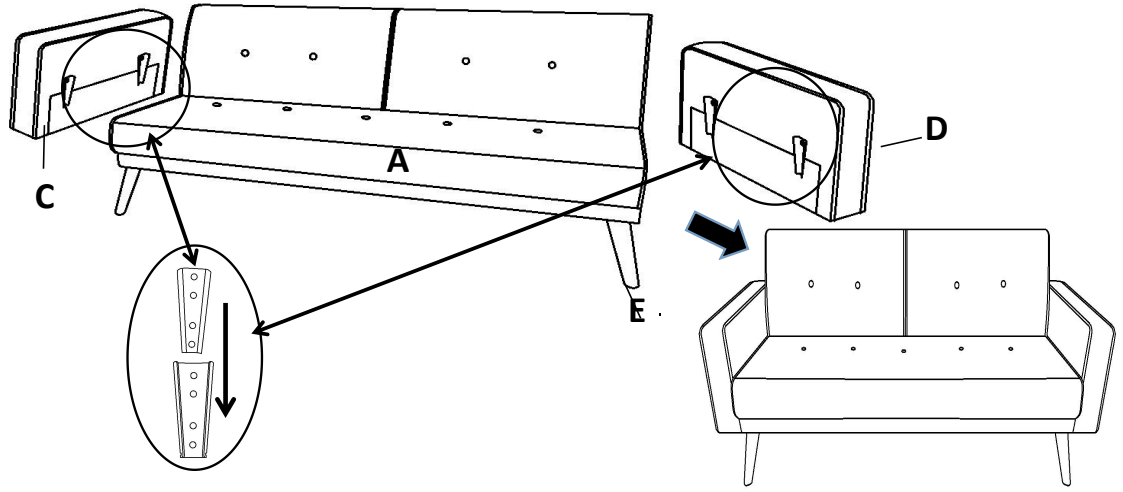
9



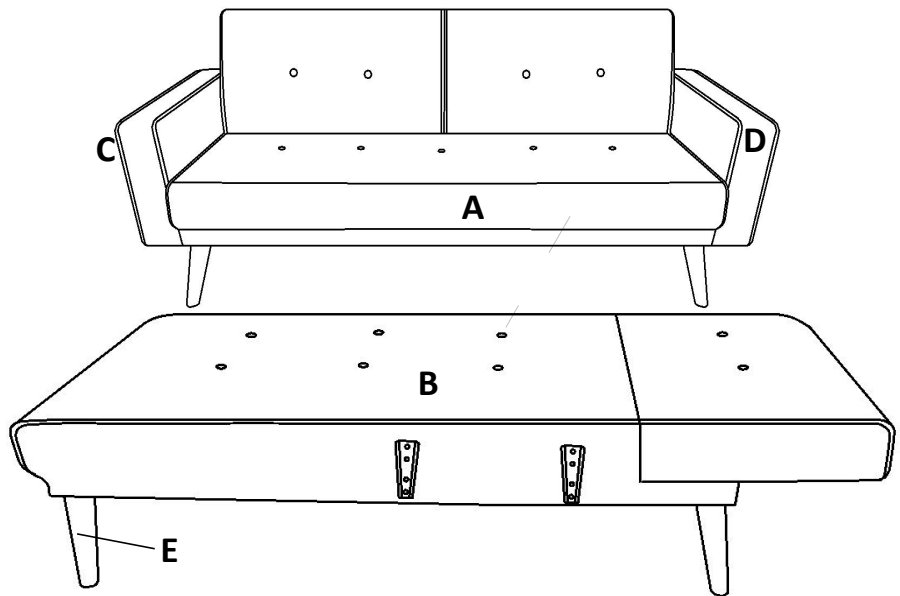
10



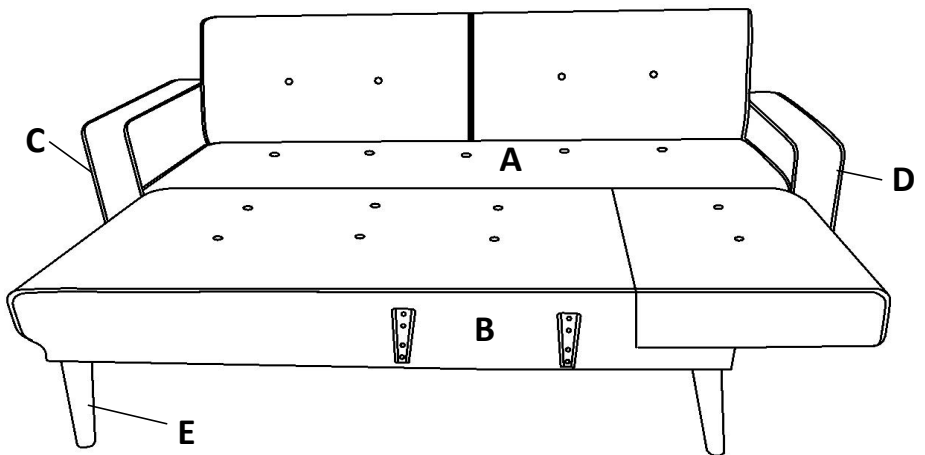
11



12



13



14

