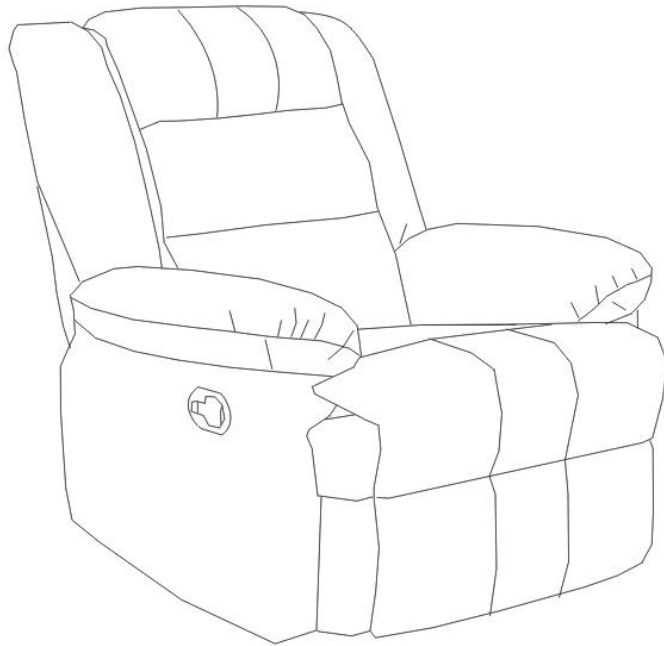


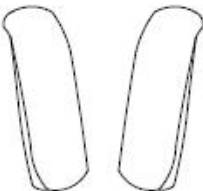


Buckingham

1359_95130/1359_95131/1359_95132/
1359_95133



| | | | | |
|---|---|-------------|----|---|
| 1359_95130/1359_95131/1359_95132/ 1359_95133 | | | | |
| A |  | 75×50×30 CM | ×1 | 1 |
| B |  | 90×80×50 CM | ×1 | 1 |
| C |  | 57×24×13CM | ×2 | 1 |

EN: AFTER-SALES SERVICE/INFORMATION/VIDEO/CONTACT

DE : REPARATUR-SERVICE UND ERSATZTEILE /INFORMATIONEN /VIDEO/KONTAKT

ES: SERVICIO POST-VENTA/INFORMACIÓN/VIDEO/CONTACTO

IT: SERVIZIO ASSISTENZA/INFORMAZIONI/VIDEO/CONTATTO

PT: SERVIÇO PÓS-VENDA/INFORMAÇÕES/VIDEO/CONTATO

PL: SERWIS TECHNICZNY/INFORMACJE/WIDEO/KONTAKT

NE: AFTER SALES SERVICE/INFORMATIE/VIDEO/CONTACT

HE: ערשקתל/ואדיווה/ עדימ/תורכמותורשרחאל

SAV.HABITATETJARDIN.COM

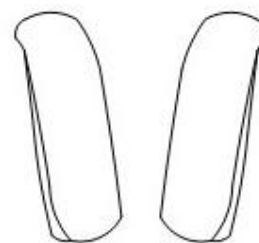
Ax1



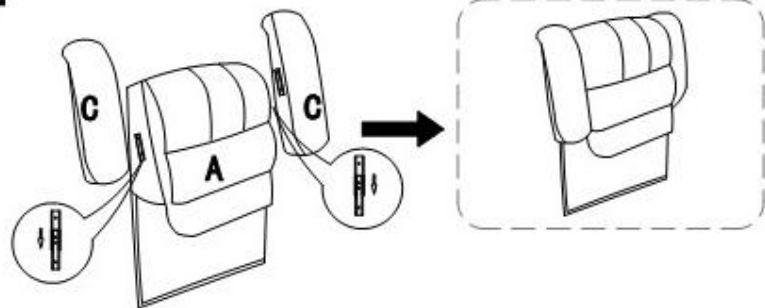
Bx1



Cx2



1



2

