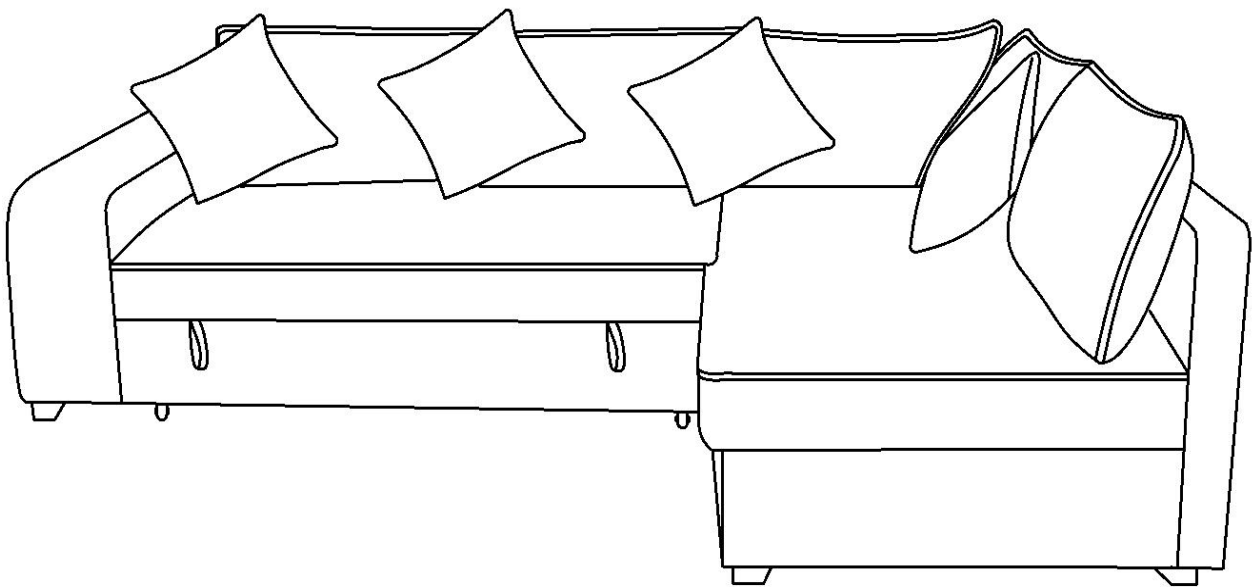


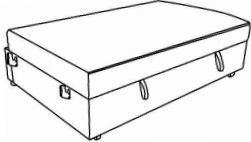
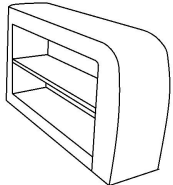
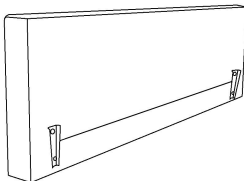
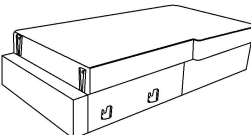
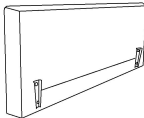
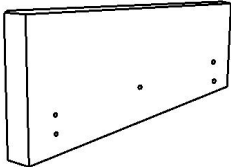
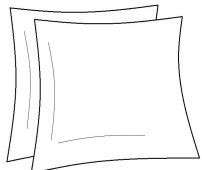
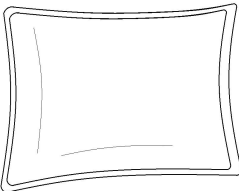
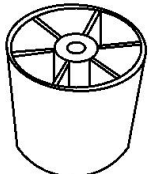
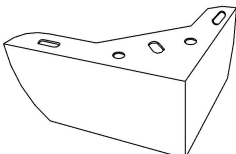
Gregory








1359_97603/97604



h&j Habitat
et Jardin

1359_97603/97604

A		147.5*99*42CM	X 1	1/3
B		99*24.5*53CM	X 1	3/3
C		146*9*42CM	X 1	1/3
D		180*90*42CM	X 1	2/3
E		84*8*42	X 1	2/3
F		177*9*83CM	X 1	2/3
G		40*40*15CM	X 4	2/3
H		72*47*18CM	X 5	1/3&2/3
I		5CM	X 4	2/3
J		11*11*5CM	X 6	2/3

①		7CM	X 1	2/3
②		7CM	X 1	2/3
③		M8*70CM	X 5	2/3
④		4CM	X 22	2/3
⑤		Φ1.6CM	X 5	2/3
⑥		M8	X 5	2/3
⑦		Φ1.6CM	X 5	2/3

FR : SAV/INFORMATION /VIDEO/CONTACT

EN: AFTER-SALES SERVICE//INFORMATION/VIDEO/CONTACT

DE : REPARATUR-SERVICE UND ERSATZTEILE //INFORMATIONEN /VIDEO/KONTAKT

ES: SERVICIO POST-VENTA//INFORMACIÓN/VIDEO/CONTACTO

IT: SERVIZIO ASSISTENZA//INFORMAZIONI/VIDEO/CONTATTO

PT: SERVIÇO PÓS-VENDA//INFORMAÇÕES/VIDEO/CONTATO

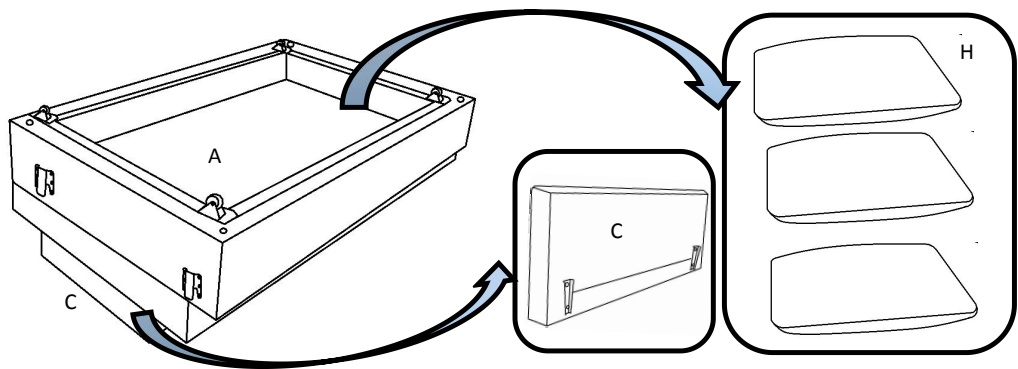
PL: SERWIS TECHNICZNY//INFORMACJE/WIDEO/KONTAKT

NE: AFTER SALES SERVICE//INFORMATIE/VIDEO/CONTACT

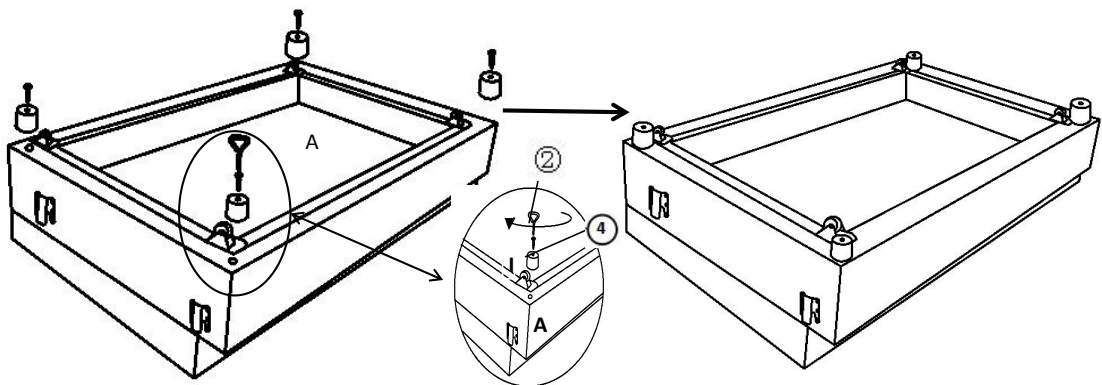
HE: מע רשקתל/ואדיווה/ עדימ/תורכמו תוריש רחאל

SAV. HABITATETJARDIN.COM

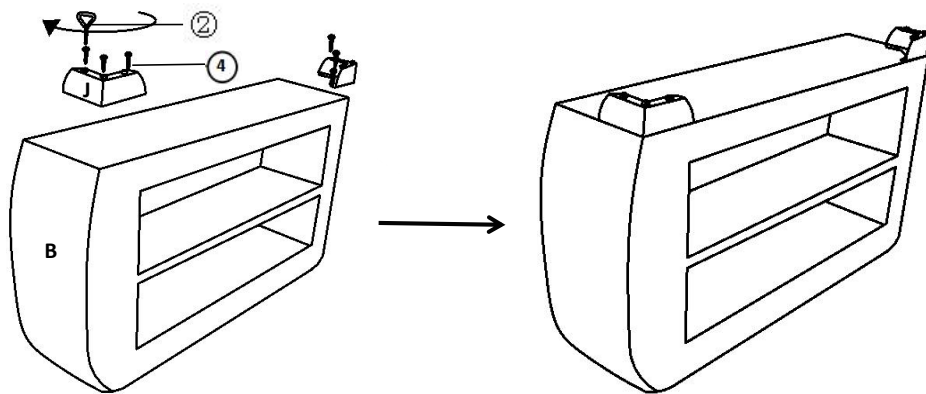
1



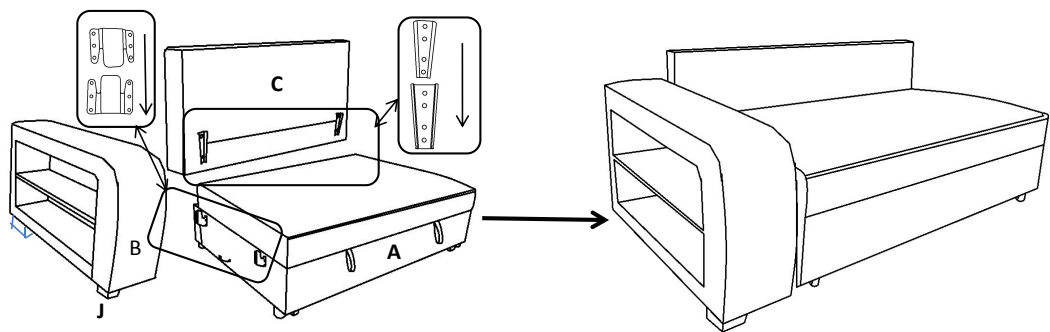
2



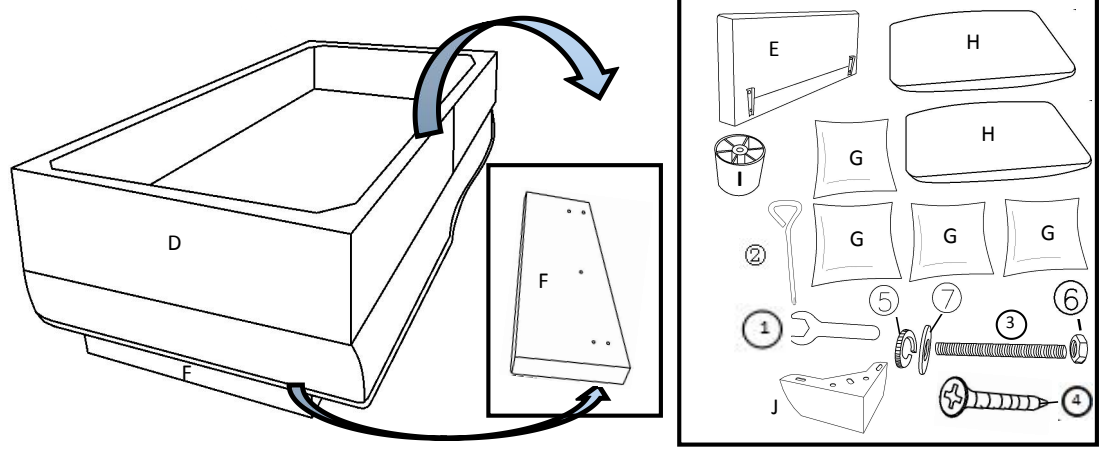
3



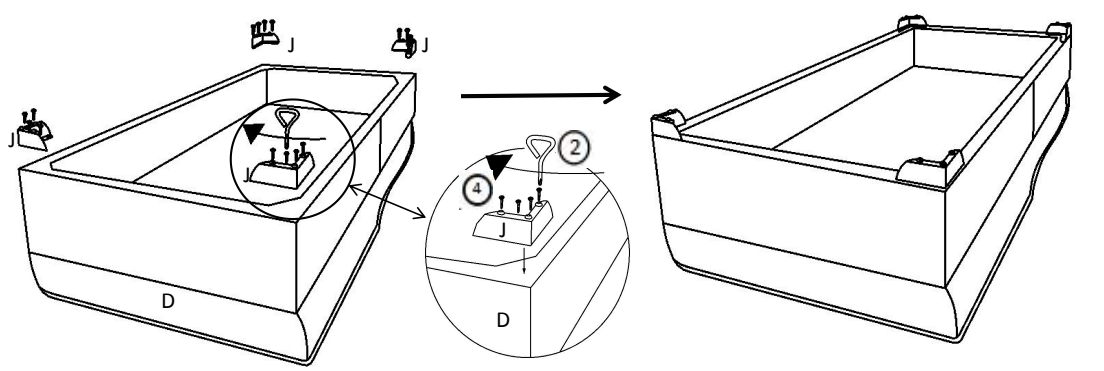
4



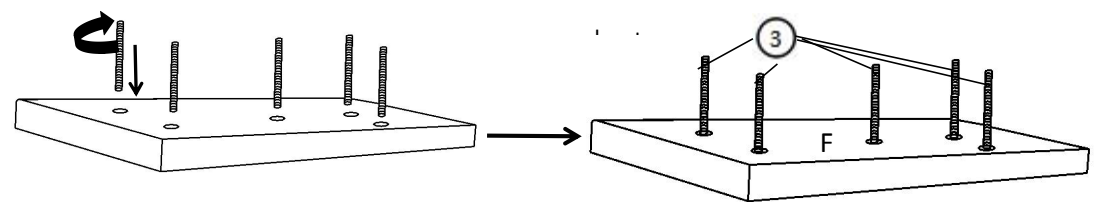
5



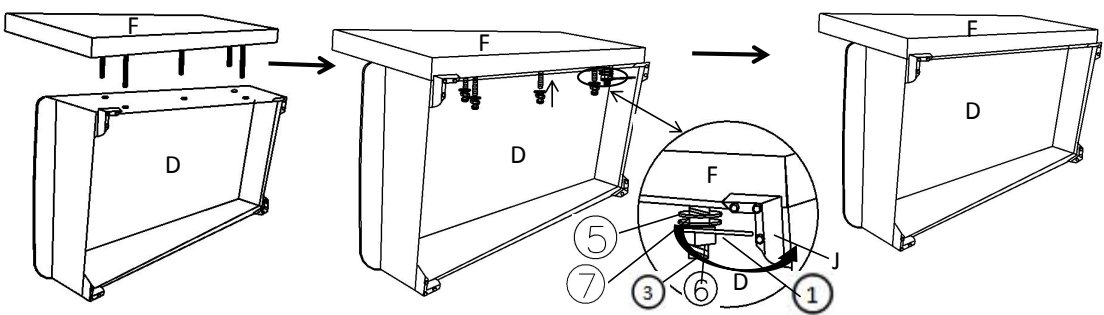
6



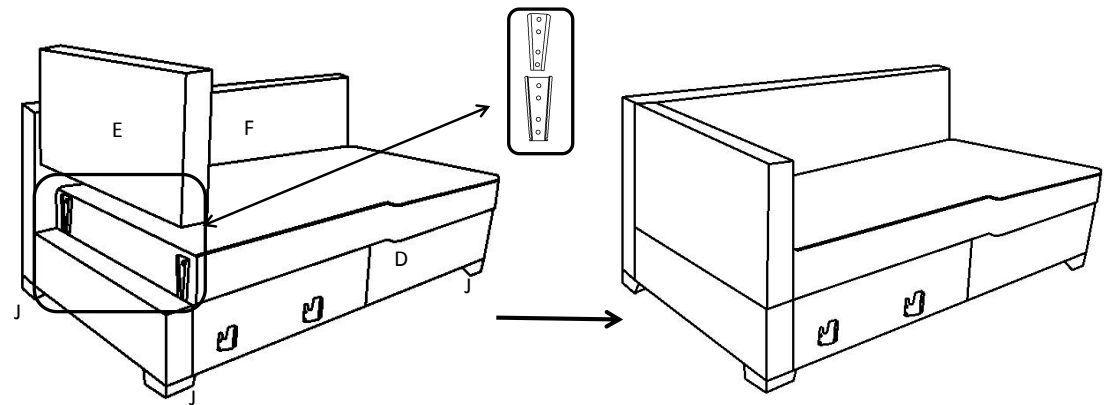
7



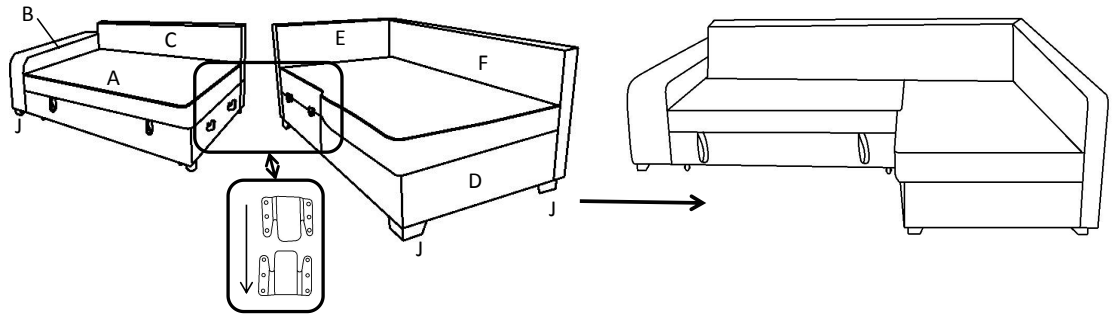
8



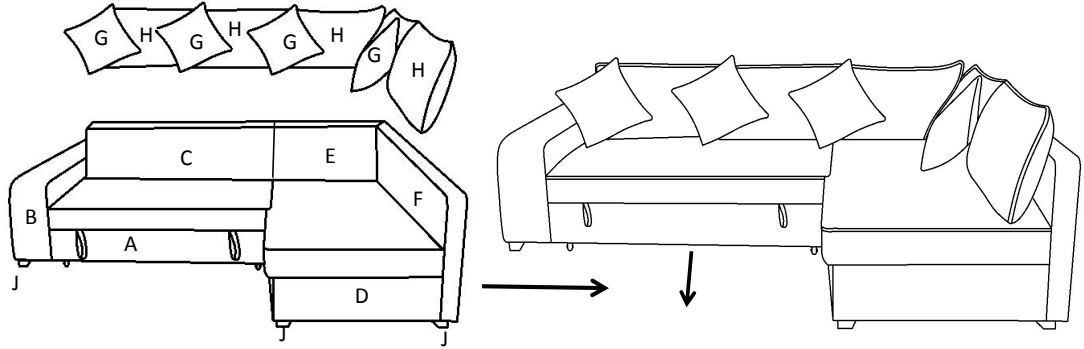
9



10



11



12

