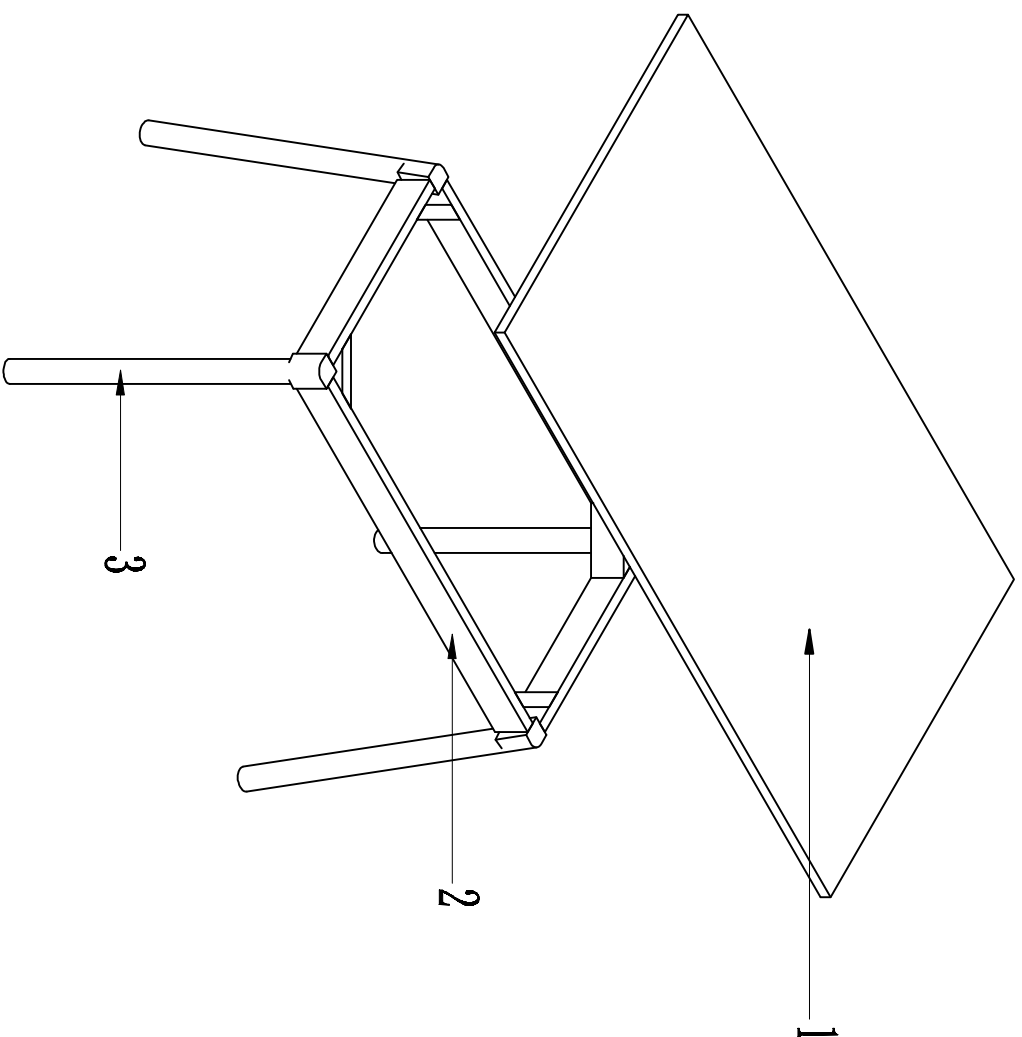


# 1194\_70105

## NOTICE DE MONTAGE

Page: 1 OF 2



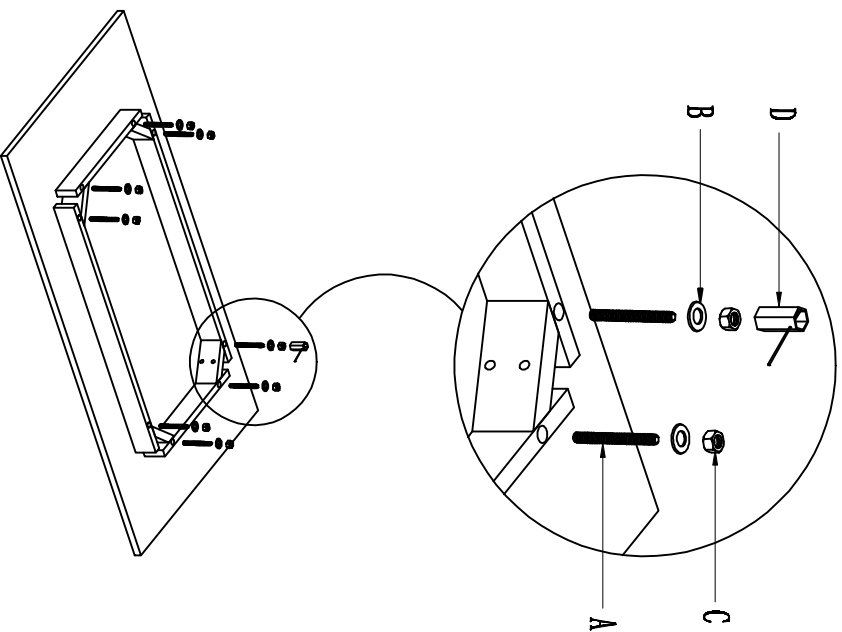
Nomenclature	Quantité
①	1
②	1
③	4
④	
⑤	
⑥	
⑦	
⑧	
⑨	
⑩	
⑪	
⑫	
⑬	
⑭	
⑮	

# 1194\_70105

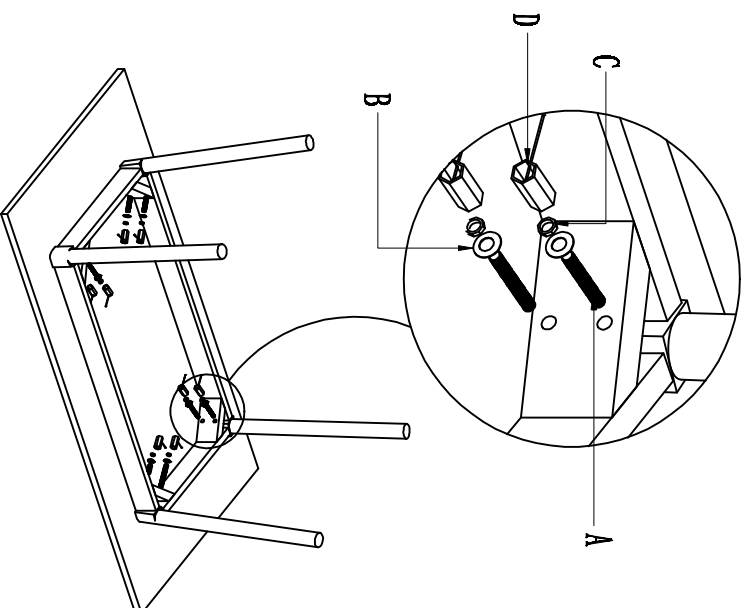
## NOTICE DE MONTAGE

Page: 2 OF 2

### Etape 1

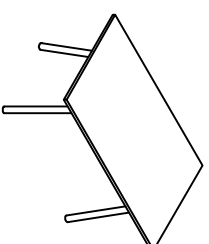



### Etape 2



FR: SAV/INFORMATION /TDM/CONTACT  
 DE: SAV/INFORMATION/TDM/CONTACT  
 ES: SERVICIO POST-VENTA/INFORMACION /TDM/CONTACT  
 IT: SERVIZIO ASSISTENZA/INFORMAZIONE/TDM/CONTACT  
 PT: SERVIÇOS TÉCNICOS/INFORMAÇÃO/TDM/CONTACT  
 NL: AFTER SALES SERVICE/INFORMATIE/TDM/CONTACT  
 BE: SERVICE CLIENT/INFORMATION

[www.gecodis.com](http://www.gecodis.com)



Nomenclature		Quantité
A		16
B		16
C		16
D		1
E		
F		
G		
H		
I		
J		
K		
L		
M		
N		
O		
P		