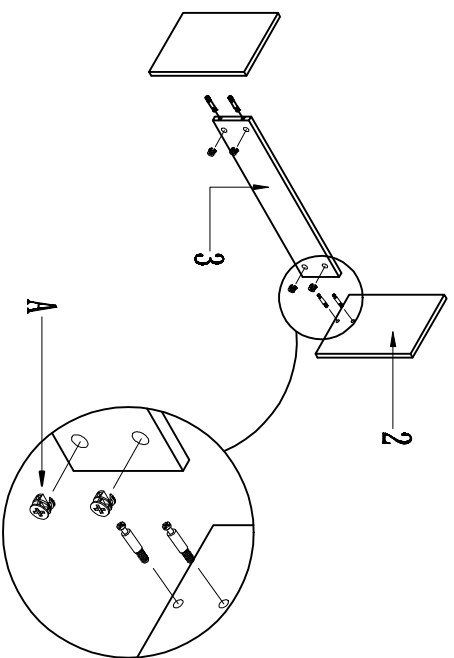


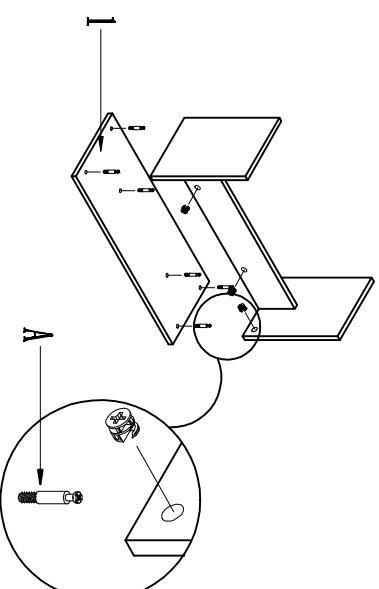
NOTICE DE MONTAGE

Page: 2 OF 2

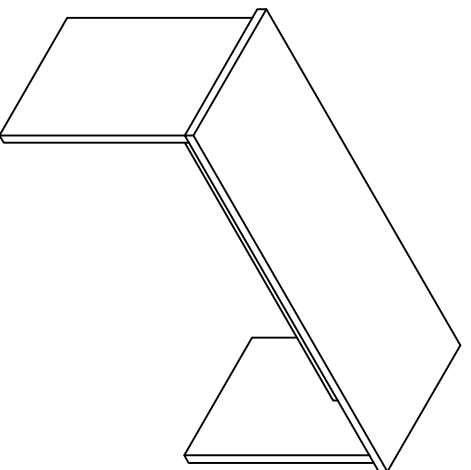
Etape 1



Etape 2




Etape 3



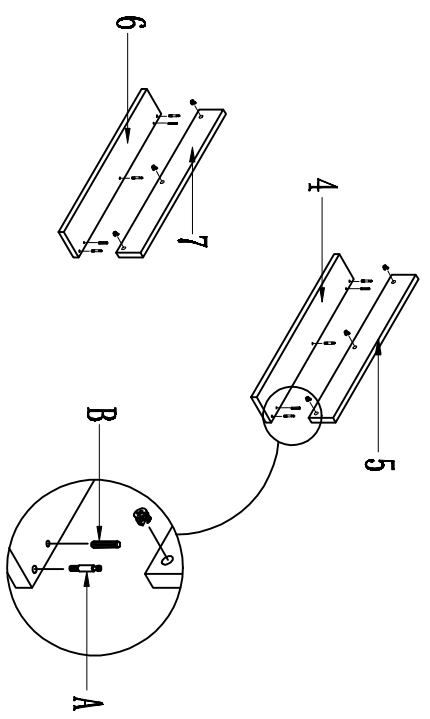
FR: SAV/INFORMATION /VIDEO/CONTACT
 GB: SAV/INFORMATION/VIDEO/CONTACT
 DE: KUNDENDIENST/INFORMATIONEN /VIDEO/KONTAKT
 ES: SERVICIO POST-VENTA/INFORMACION/VIDEO/CONTACTAR
 IT: SERVIZIO ASSISTENZA/INFORMAZIONI/VIDEO/CONTATTO
 PT: SERVIÇO PÓS-VENDA/INFORMAÇÕES/VIDEO/CONTACTO
 PL: SERWIS TECHNICZNY/INFORMACJE/VIDEO/KONTAKT
 NE: AFTER SALES SERVICE/INFORMATTE/VIDEO/CONTACT
 HE: שירות המכירה/אחרי המכירה/הקשר לד

www.gecodis.com

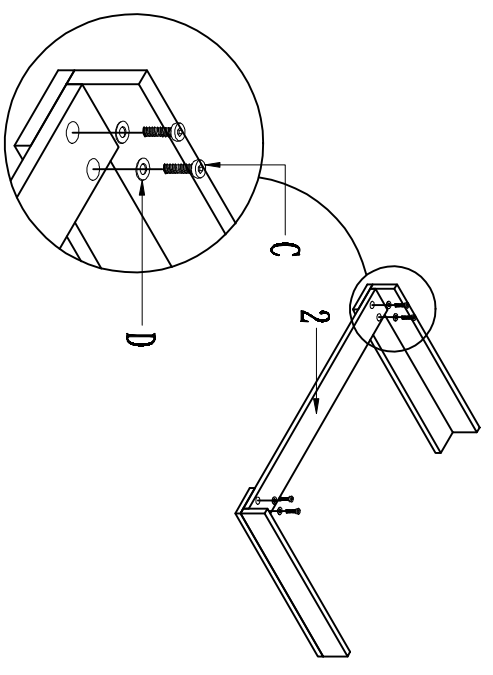
Nomenclature	Quantité
A 	10
B	
C	
D	
E	
F	
G	
H	
I	
J	
K	
L	
M	

NOTICE DE MONTAGE

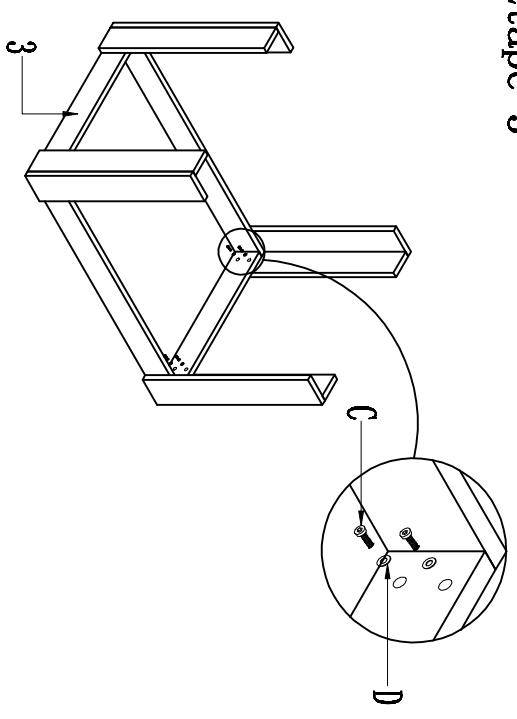
Etape 1



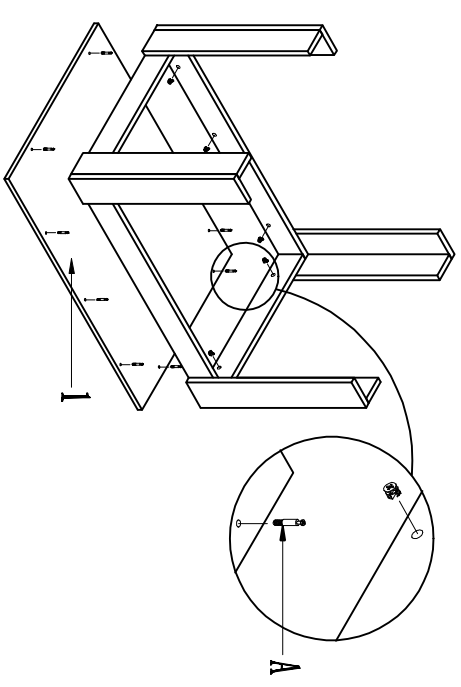
Etape 2








Etape 3



Etape 4

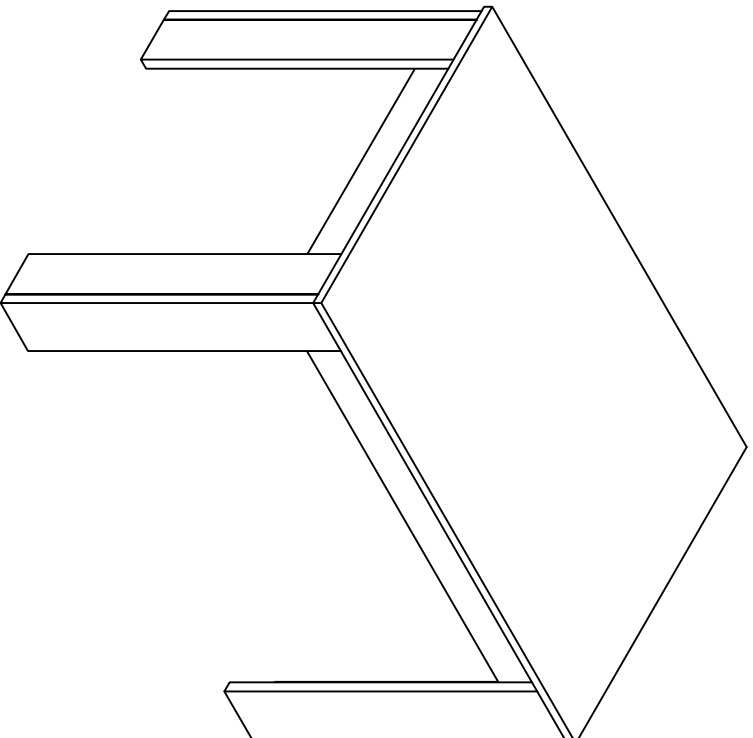


Nomenclature	Quantité
A 	22
B 	8
C 	16
D 	16
E 	1
F	
G	
H	
I	
J	
K	
L	
M	

NOTICE DE MONTAGE

Page: 3 OF 3

Etape 5



FR: SAV/INFORMATION /VIDEO/CONTACT
GB: SAV/INFORMATION/VIDEO/CONTACT
DE: KUNDENDIENST/INFORMATIONEN /VIDEO/KONTAKT
ES: SERVICIO POST-VENTA/INFORMACION/VIDEO/CONTACTAR
IT: SERVIZIO ASSISTENZA/INFORMAZIONI/VIDEO/CONTATTO
PT: SERVIÇO PÓS-VENDA/INFORMAÇÕES/VIDEO/CONTACTO
PL: SERWIS TECHNICZNY/INFORMACJE/VIDEO/KONTAKT
NE: AFTER SALES SERVICE/INFORMATIE/VIDEO/CONTACT
HE: שירות מכירה/שירות הלקוח/תקשורת

www.gecodis.com